

ATLANTIC VERSION TERMINATOR INTERFACE ADAPTER	PART NUMBER	REVISION	DESCRIPTION	FEED TYPE	APPLICATOR STYLE CONVERSION CHART					
					CONVERT TO	PART NUMBERS REQUIRED				
	2151699-2	A	FINE CRIMP HEIGHT ADJUST	PNEUMATIC	-	-	-	-	-	-
	2151699-5	A	FINE CRIMP HEIGHT ADJUST	SERVO LATCH PLATE ⁴	SERVO LATCH PLATE 2119951-1	2161540-1	8-2151699-5	1901094-3	1976043-1	2168400-6 (QUANTITY 2)
	2151699-6	A	NON-CRIMP HEIGHT ADJUST	SERVO LATCH PLATE ⁴	PNEUMATIC FEED 2119950-1	-	-	-	-	-
	2151699-7	A	FINE CRIMP HEIGHT ADJUST	NONE	-	-	-	-	-	-
	7-2151699-7	A	CRIMP TOOLING KIT	-	-	-	-	-	-	-

APPLICATOR DATA		
CRIMP WIRE	SIZE	TYPE
	.205 [5.2] mm	D
INSUL	-	-
APPLICATOR INSTRUCTIONS 408-10389		

TERMINAL DATA: TE TERMINAL		TE CRIMP SPECIFICATION	
TERMINAL NAME: FULLY INSULATED FASTON			
WIRE STRIP LENGTH		INSULATION DIAMETER RANGE	
.240-.322 IN [6.10-8.18 mm]		∅ .240 MAX	
TERMINAL APPLICATION SPECIFICATION	114-2123		
TERMINALS APPLIED ⁴			
TE TERMINAL	TE TERMINAL	TE TERMINAL	TE TERMINAL
3-520370-2			

WIRE SIZE	CRIMP HEIGHT INCH [mm]	CRIMP HEIGHT REFERENCE SETTING	∅ SOLDER
14	0.075+/-0.002 [1.91+/-0.05]	5.6	.19 IN [4.83mm]
16	0.070+/-0.002 [1.78+/-0.05]	7.0	.19 IN [4.83mm]

- ¹ RECOMMENDED SPARE PARTS
- ² GREASE BEARING SURFACES LIGHTLY
- 3. LUBRICATE DAILY PER THE APPLICATOR INSTRUCTION SHEET SUPPLIED WITH THE APPLICATOR.
- ⁴ APPLICATOR SPECIFIC DATA TO BE ENTERED INTO BLANK MEMORY CHIP AT ASSEMBLY. SEE BELOW FOR PART NUMBER:
 PNEUMATIC FEED WITH "SMART APPLICATOR" CONVERSION: 8-2151699-4
 SERVO FEED WITH "FINE CRIMP HEIGHT ADJUST": 8-2151699-5
 SERVO FEED WITH "NON-CRIMP HEIGHT ADJUST": 8-2151699-6
- 5. ADJUSTMENT OF THE STRIPPER MAY BE REQUIRED WHEN MOVING THE APPLICATOR BETWEEN BENCH AND LEADMAKER APPLICATIONS.
- ⁶ GREASE THREADS, GROOVE AND O-RING ON ITEMS 35 & 252.
- ⁷ MAGNET, ITEM 166 MUST BE ORIENTED CORRECTLY IN ORDER TO PROPERLY ACTUATE THE COUNTER.
- ⁸ CRIMP HEIGHT REFERENCE SETTING WAS THE SETTING USED WHEN THE APPLICATOR WAS QUALIFIED AT THE FACTORY. ADJUSTMENT MAY BE NECESSARY WHEN RUNNING APPLICATOR IN THE FIELD.
- ⁹ TO CONVERT THE APPLICATOR TO A NON-CARRIER CUTTING STYLE, REMOVE ITEM 13 AND ATTACH TO THE LOCATION ON THE BACK SIDE OF THE HOUSING. REFER TO INSTRUCTION SHEET FOR ADDITIONAL INFORMATION.
- ¹⁰ WHEN ASSEMBLING -6 NON-CRIMP HEIGHT ADJUST APPLICATOR USE SHIM PACK 2119957-2 TO ALIGN APPLICATOR'S MAXIMUM WIRE CRIMP HEIGHT AT NORMAL TERMINATOR SHUT HEIGHT
- ¹¹ ITEM 7 MUST BE REMOVED IF APPLICATOR IS USED ON BENCH MACHINE.
- ¹² ITEM 5 AND 9 ARE REQUIRED WHEN RUNNING ON A LEADMAKER. ITEM 42 REQUIRED WHEN RUNNING ON A BENCH MACHINE.

- ³ TO CHECK CRIMP HEIGHT, CRIMP SOLDER (∅.19 IN [4.83mm] 60/40 SOLID CORE) AND MEASURE AT CENTER OF SLUG.
- CALIPERS, CRIMP HEIGHT, SOLDER
- ⁴ IT MAY BE NECESSARY TO MODIFY THE T-TERMINATING/K-PRESS BASE PLATE BEFORE USE BY ADDING A 10-32 HOLE TO RELOCATE THE FORWARD STOP AS SHOWN.
- 10-32 UNF-28 X .50 DP, RELOCATE THIS STOP TO HOLE ON ABOVE HOLE, BASE PLATE ASSEMBLY
- ⁵ ITEMS 253 AND 255 MUST BE INSTALLED IN THE G-TERMINATING UNIT CHIP RELIEF HOLE BEFORE INSTALLING THE APPLICATOR.
- ⁶ ITEM 257, REQUIRED IF APPLICATOR IS RUN ON T-TERMINATING UNIT/K-PRESS. GUARD, ITEM 256, REQUIRED IF APPLICATOR IS BEING USED ON G-TERMINATOR.
- ⁷ TERMINAL PITCH NOT COMPATIBLE WITH MECHANICAL FEED.
- ⁸ CUT TO LENGTH AT ASSEMBLY.

***WARNING**
 ON INSTALLATION, SET WIRE DISC, ITEM 40 TO LARGEST WIRE SIZE SETTING. USE OF SETTINGS BELOW MINIMUM REQUIRED CRIMP HEIGHT SETTING WILL CAUSE DAMAGE TO CRIMP TOOLING.

-	-	1	-	-	2119957-2	APPLICATOR SHIM PACK	260
-	REF	REF	REF	REF	462992-7	GUARD ASSEMBLY	257
-	REF	REF	REF	REF	679532-1	INSERT, GUARD	256
-	1	1	1	1	189728-1	BRACKET, SPACER	255
-	1	1	1	1	568681-1	SPACER, BASE PLATE	253
-	1	-	1	1	8-21084-0	O-RING, .676 ID, .070 DIA. MAT.	252
-	-	-	-	1	2119640-1	PUSH ROD, AIR FEED	250
-	-	-	-	1	2079988-1	BUSHING, LCH5-12, MISUMI	249
-	-	-	-	1	2119641-1	FEED CAM, AIR FEED	248
-	1	-	1	1	2119798-1	DETENT PIN	247
-	1	-	1	1	1-22279-3	SPRING, COMPRESSION	246
-	-	1	-	-	2119758-1	RAM, AMP STYLE, SIDE FEED, NON-ADJ.	245
-77	-7	-6	-5	-2	PART NO	DESCRIPTION	ITEM NO

ATLANTIC VERSION
 Shown on sheets 1 of 4 & 2 of 4
 (Pacific version shown on sheets 3 of 4 & 4 of 4)

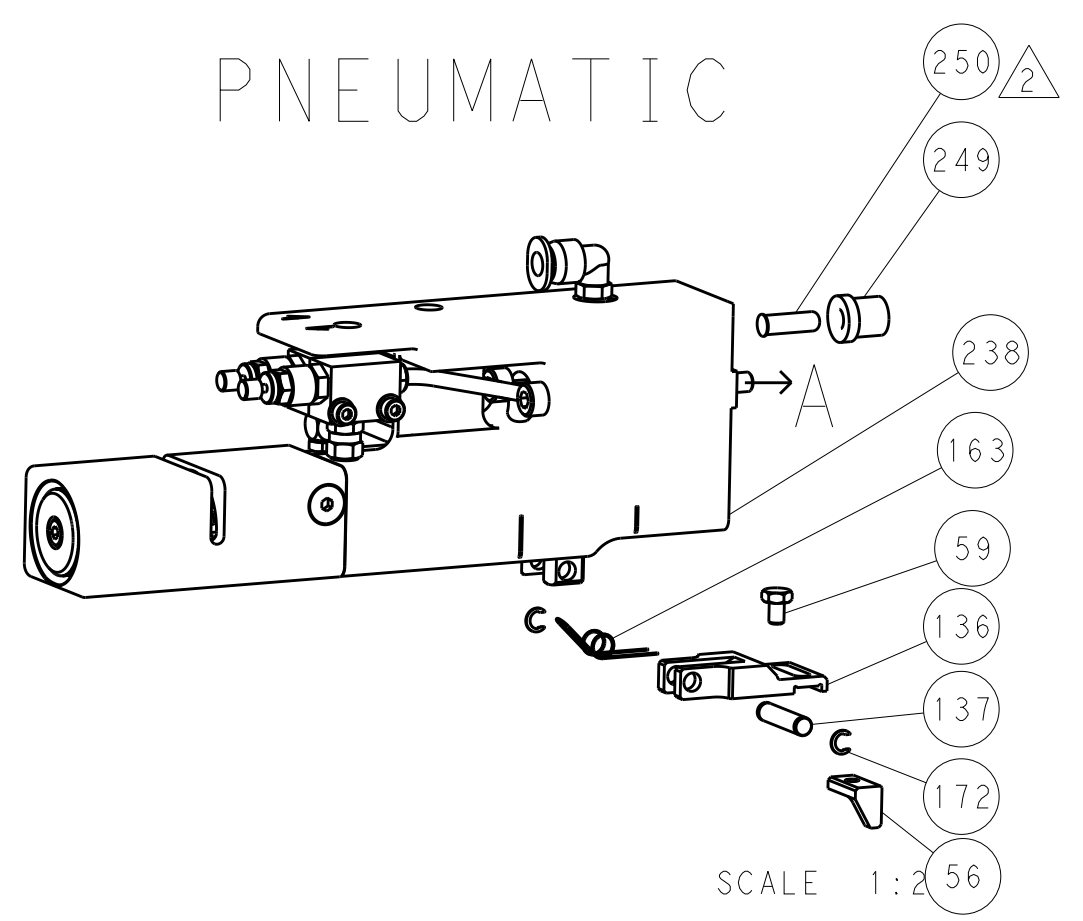
SET UP GAUGE	LOC	DIST	REVISIONS					
2119599-1	A	66	P	LTN	DESCRIPTION	DATE	OWN	APVD
			A		ORIGINAL	06NOV2012	BW	TE

-	1	1	1	1	7-18023-7	SCR, SKT HD CAP M3 X 4.0	241
-	-	2	2	-	2168400-6	SHCS, LOW HEAD, RoHS, M5 X 16	240
-	-	-	-	-	2119580-1	MECHANICAL FEED ASSEMBLY	239
-	-	-	-	1	2063440-2	AIR FEED MODULE	238
-	-	1	1	-	2119740-2	TAG, IDENTIFICATION	213
-	-	1	1	-	1901094-3	SPACER, FEEDER	198
-	-	-	-	2	21045-3	RING, RETAIN, EXTERN, 3/16 CRESCENT	172
-	1	1	1	1	994969-1	MAGNET, RARE EARTH HIGH ENERGY	166
-	REF	REF	REF	REF	994970-2	COUNTER, MAGNETIC	164
-	-	-	-	1	240638-1	SPRING, FEED FINGER	163
-	-	-	-	1	3-23627-7	PIN, RETAIN, GRVD, 3/16 X .854	137
-	-	-	-	1	2119799-1	HOLDER, FEED FINGER, AF	136
-	-	REF	REF	-	SEE NOTE 4	MEMORY CHIP, PROGRAMMED	135
-	-	1	1	-	1633743-1	SERVO FEED LATCH ASM	133
-	1	1	1	1	1-22281-8	SPRING, COMPRESSION	121
-	1	1	1	1	1-18028-2	WASHER, FLAT, REG M4	119
-	1	1	1	1	1-690438-0	FRONT STRIP GUIDE	96
-	2	2	2	2	2168083-1	SCR, SKT HD CAP, RoHS, M3 X 8.0	95
-	4	4	4	4	18023-4	SCR, SKT HD CAP M3 X 10.0	94
-	1	1	1	1	2168083-6	SCR, SKT HD CAP, RoHS, M5 X 65	93
-	1	1	1	1	455888-4	SPACER, CRIMPER	82
-	1	1	1	1	240641-9	SPACER	81
-	1	1	1	1	2119956-1	DOCUMENTATION PACKAGE	71
-	1	1	1	1	2161332-4	DEPRESSOR, WIRE FUNNEL	70
-	1	1	1	1	2161331-1	SPACER, WIRE FUNNEL DEPRESSOR	69
-	2	2	2	2	1-18028-4	WASHER, FLAT, REG M3	68
-	1	-	-	1	2119740-1	TAG, IDENTIFICATION	67
-	2	2	2	2	2168078-1	SCREW, DRIVE, RH, RoHS	66
-	1	-	1	1	2119793-1	LIMITER, ADJUSTMENT BOLT	63
-	3	-	3	3	992763-5	SCR, SET, SOC, CONE POINT, M3 X 4.0	62
-	2	2	2	2	2-18032-5	SCR, SET, FLT POINT M5 X 20.0	61
-	1	1	1	1	2079383-4	SCR, BHSC, RoHS (M4 X 8)	60
-	-	-	-	1	5-18022-5	SCR, HEX HD CAP, M4 X 6.0	59
-	-	-	-	1	462427-2	FINGER, FEED	56
-	4	4	4	4	2168400-1	SHCS, LOW HEAD, RoHS, M4 X 12	54
-	2	2	2	2	2168083-8	SCR, SKT HD CAP, RoHS, M4 X 16	53
-	-	-	-	1	18023-9	SCR, SKT HD CAP M4 X 6.0	49
-	1	1	1	1	1-2119656-9	APPLICATOR BASIC ASSEMBLY, SF	46
-	1	-	1	1	2119370-1	RAM, AMP STYLE, SIDE FEED	44
-	1	1	1	1	462433-7	SUPPORT, INSULATION	42
-	1	1	1	1	2079383-7	SCR, BHSC, RoHS (M8 X 25)	41
-	1	-	1	1	2119645-1	DISC, NUMBERED FA WIRE ADJUSTMENT	40
-	1	-	1	1	2119957-1	APPLICATOR SHIM PACK	39
-	1	1	1	1	2119644-2	RAM WASHER, PRECISION	38
-	1	1	1	1	2119085-1	FA HEAD, ATLANTIC STYLE	37
-	1	-	1	1	2119092-1	BOLT, ADJUSTMENT	35
-	2	2	2	2	5-22278-1	SPRING, COMPRESSION	33
-	1	1	1	1	2161328-1	HEX HEAD, FLANGED, M5 X 8mm LONG	32
-	2	2	2	2	1-2168083-4	SCR, SKT HD CAP, RoHS, M4 X 5	30
-	1	1	1	1	2161336-1	PLATE, REAR STRIP GUIDE	29
-	2	2	2	2	22281-9	SPRING, COMPRESSION	27
-	1	1	1	1	356835-1	LEVER, DRAG RELEASE	26
-	1	1	1	1	240792-1	DRAG, TERMINAL	25
-	1	1	1	1	684042-4	GUIDE, STRIP, FRONT	24
-	1	1	1	1	980371-4	SCR, SKT HD SHLDR 5.0 DIA X 6.0	23
-	1	1	1	1	2168083-2	SCR, SKT HD CAP, RoHS, M4 X 8.0	21
-	1	1	1	1	1-18028-2	WASHER, FLAT, REG M4	20
-	1	1	1	1	2119533-1	STRIPPER, SIDE FEED	19
-	1	1	1	1	463460-2	HOLD DOWN, TERMINAL	18
-	1	1	1	1	469542-3	REAR FLOATING SHEAR	17
-	2	2	2	2	1-2168083-1	SCR, SKT HD CAP, RoHS, M3 X 6	16
-	1	1	1	1	2161335-2	SHEAR PLATE, REAR	15
-	1	1	1	1	2119862-2	SHEAR HOLDER, REAR	14
-	1	1	1	1	2119806-1	INSERT, SHEAR	13
-	1	1	1	1	3-22280-3	SPRING, COMPRESSION	12
-	1	1	1	1	1-356885-4	STOP, SHEAR	11
-	1	1	1	1	462843-6	TERMINAL SUPPORT	9
-	1	1	1	1	464282-2	ANVIL, SAND-BLASTED 16-14	8
-	1	1	1	1	803925-2	GUIDE, CARRIER SCRAP	7
-	1	1	1	1	2-690468-5	DEPRESSOR SHEAR, REAR	6
-	1	1	1	1	462431-5	WIRE FUNNEL	5
-	1	1	1	1	238009-3	BLOCK, FL CRIMPER SPACER	4
-	1	1	1	1	464281-1	CRIMPER, SEMI FLAT 16-14	1
-77	-7	-6	-5	-2	PART NO	DESCRIPTION	ITEM NO

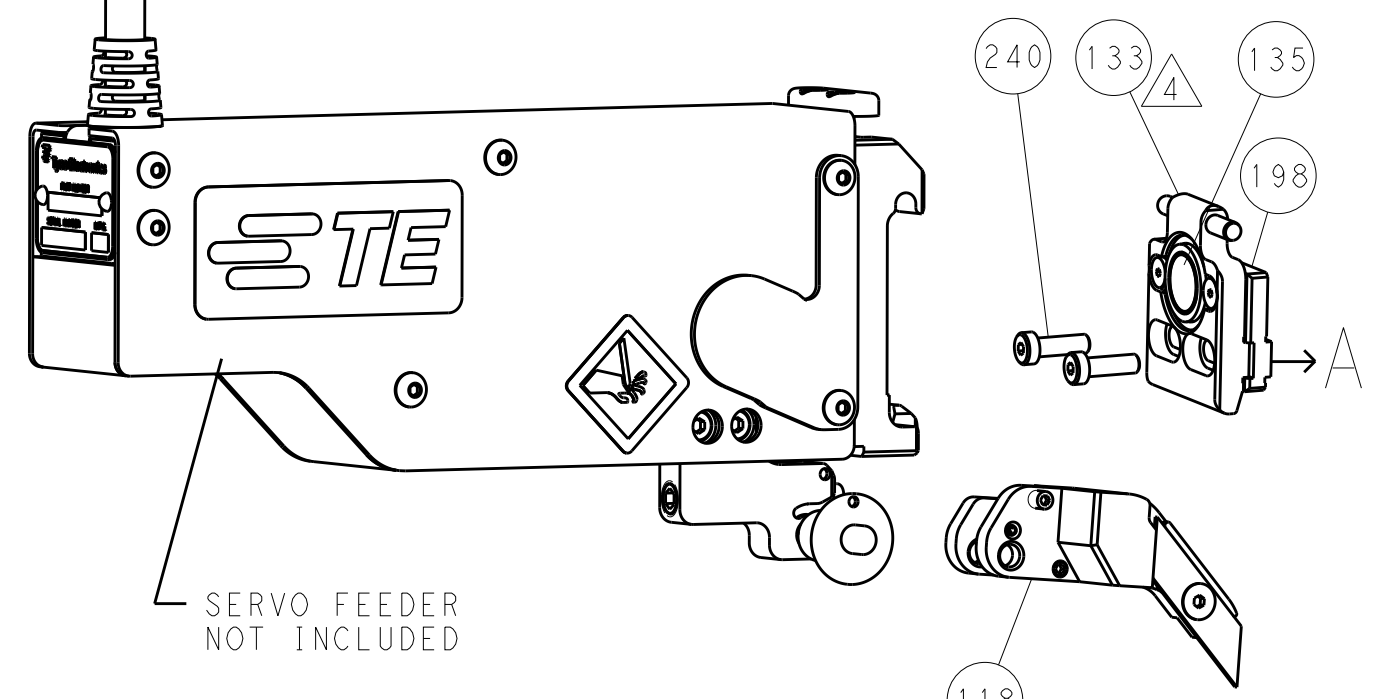
DIMENSIONS:		TOLERANCES UNLESS OTHERWISE SPECIFIED:		DRAWN BY		CHECKED BY		APPROVED BY		DATE	
mm	0 PLC ±.1	1 PLC ±0.1	2 PLC ±0.02	3 PLC ±0.005	4 PLC ±0.0005	TE	WEAVER	G.	HOFENER	18JUN2012	18JUN2012
MATERIAL:		FINISH:		WEIGHT:		SIZE:		CAGE CODE:		DRAWING NO:	
						A1		00779		C=2151699	
Customer Accessible Production Drawing										SCALE	1:1
										SHEET	1
										OF	4
										REV	A

LOC	DIST	REV	DATE	BY	APPV
A	66				
REVISIONS			DESCRIPTION	DATE	BY
			SEE SHEET 1		

FEED TYPE PNEUMATIC

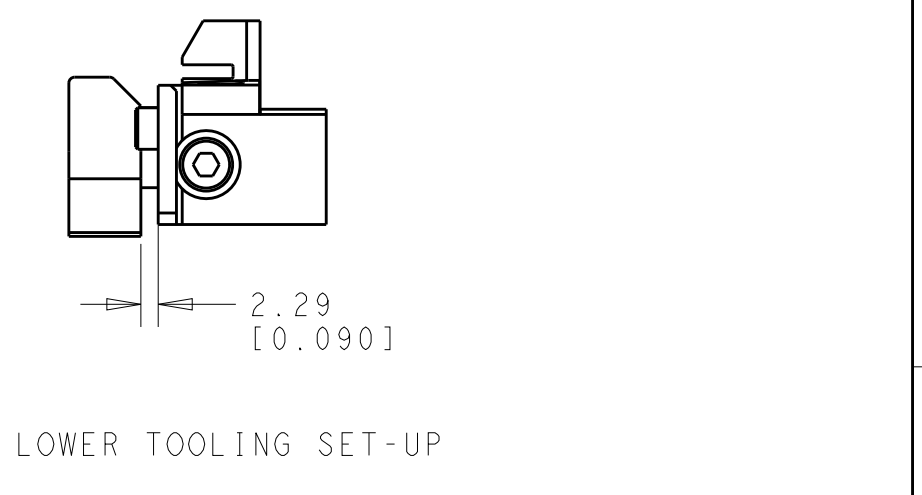
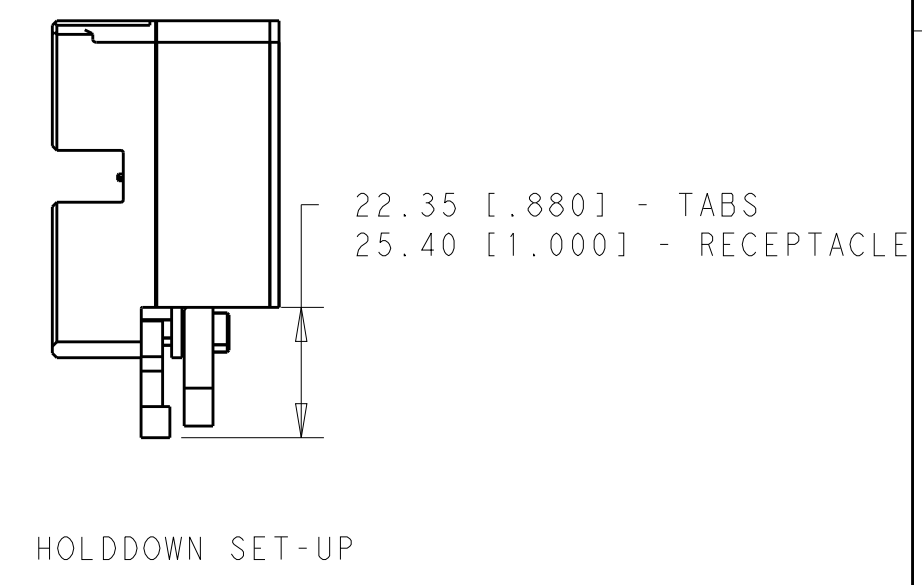
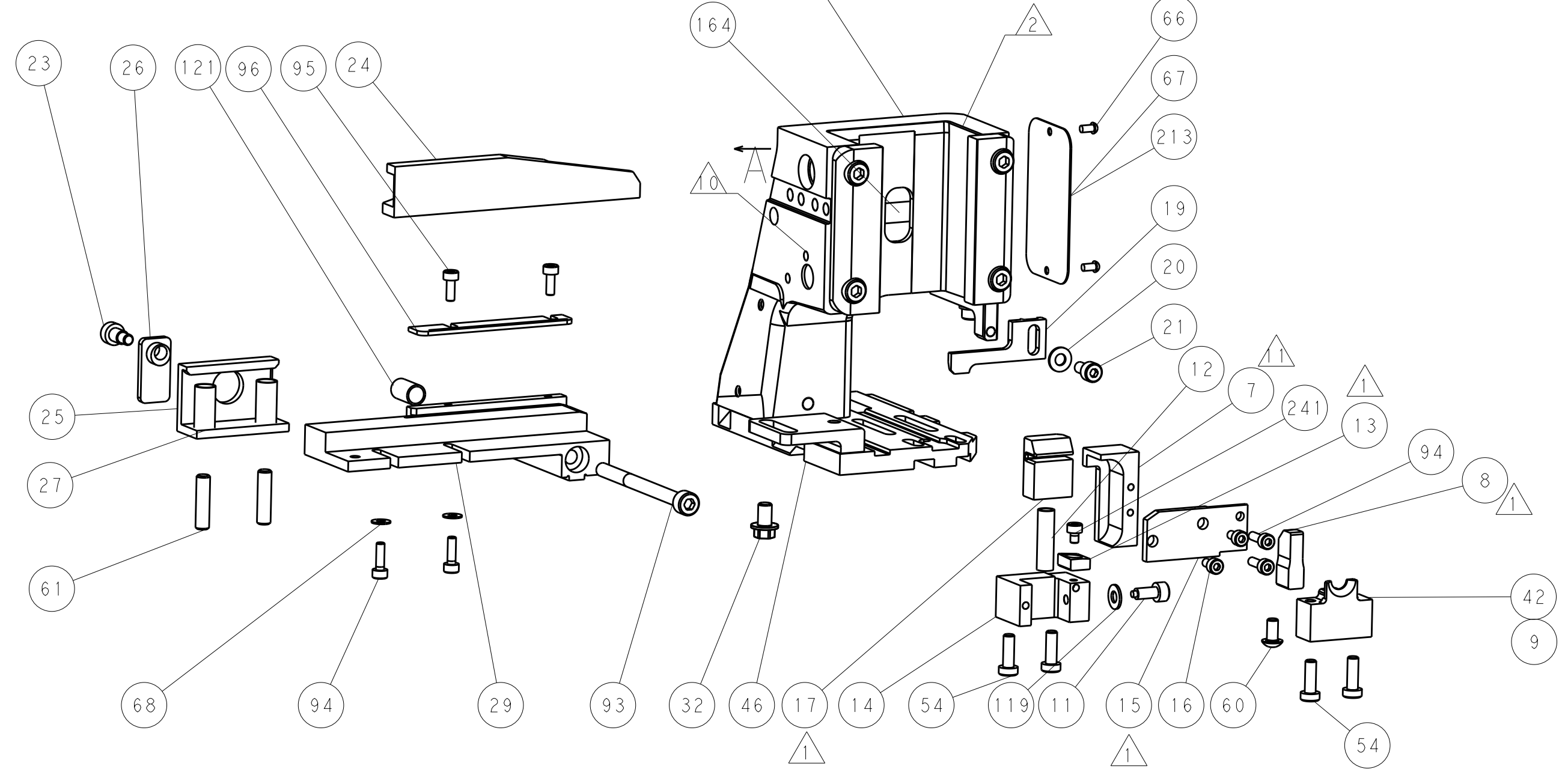
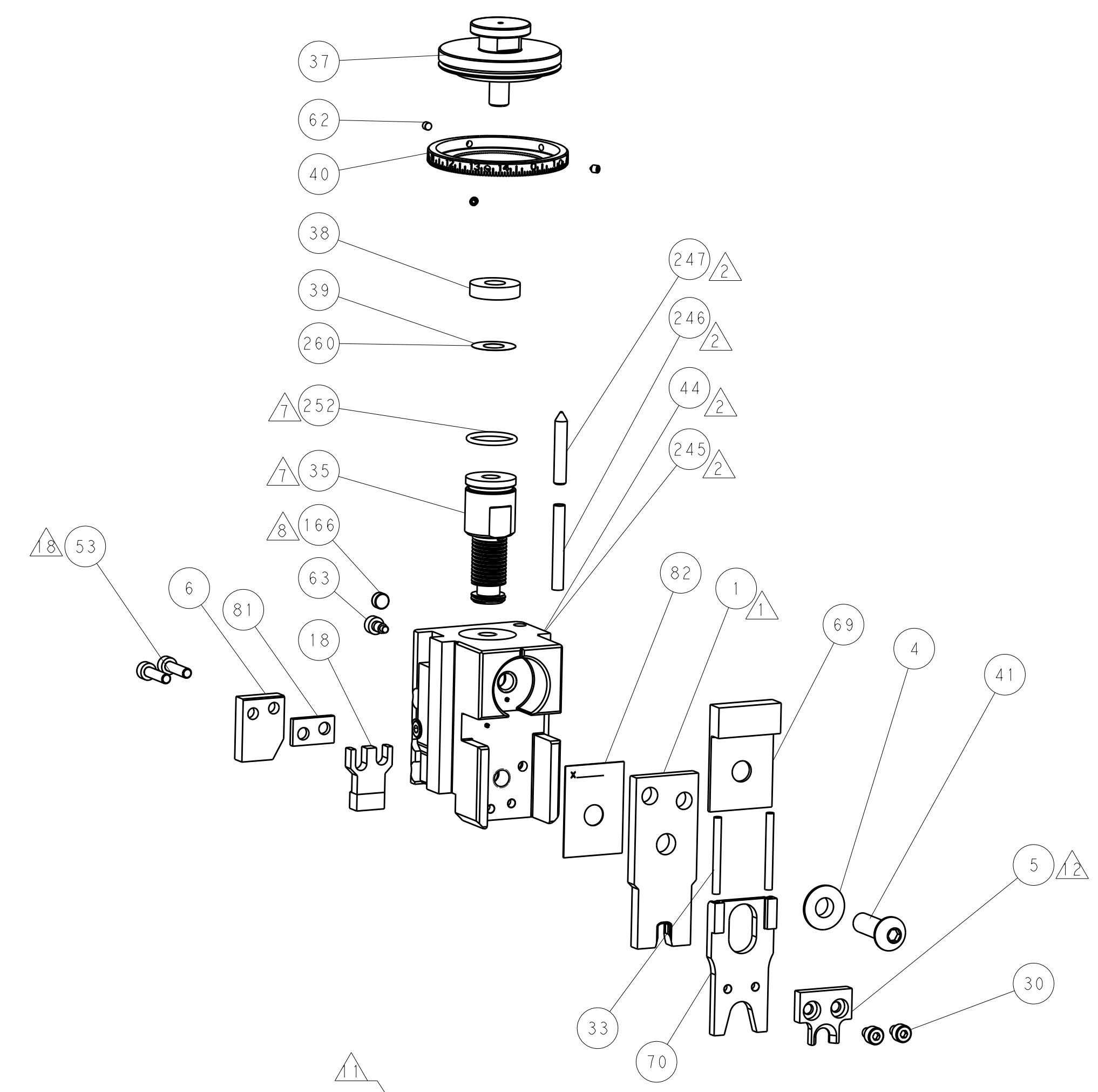
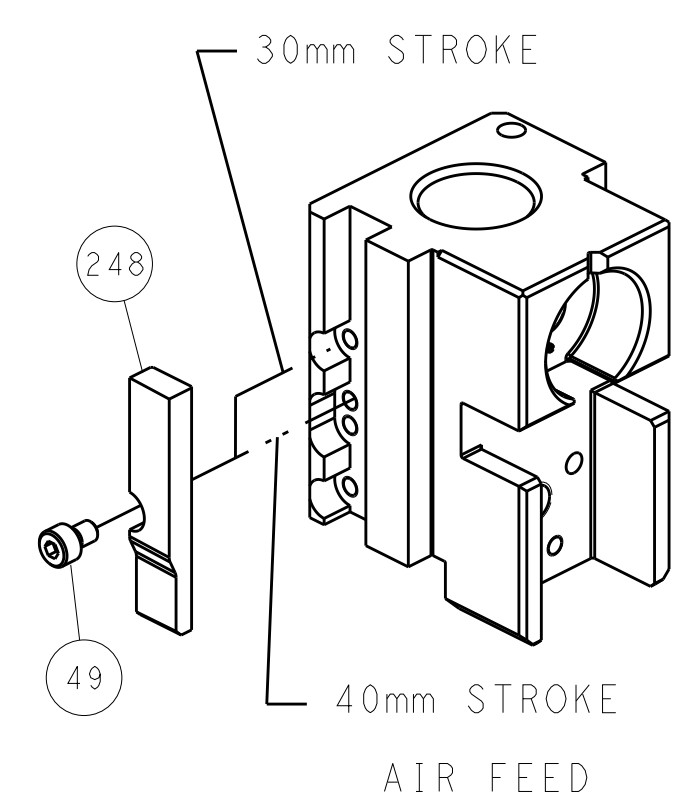


SERVO LATCH PLATE



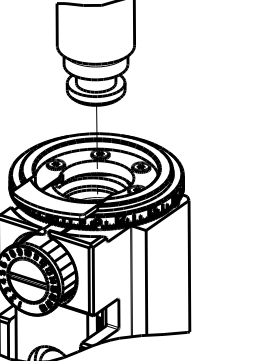

***FEED FINGER REPRESENTATION ABOVE MAY DIFFER FROM ACTUAL FEED FINGER THAT IS REQUIRED BY THIS APPLICATOR

CAM POSITIONS




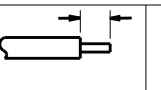

ATLANTIC VERSION
 Shown on sheets 1 of 4 & 2 of 4
 (Pacific version shown on sheets 3 of 4 & 4 of 4)

<small>THIS DRAWING IS UNPUBLISHED. RELEASED FOR PUBLICATION 2012 BY TYCO ELECTRONICS CORPORATION. ALL RIGHTS RESERVED.</small>		DWN: B. WEAVER 18JUN2012 CHK: G. HOFFNER 18JUN2012 APPV: T. ELBIN 18JUN2012	TE Connectivity Harrisburg, PA 17105-3608
DIMENSIONS: mm TOLERANCES UNLESS OTHERWISE SPECIFIED: 0 PLC ±.1 1 PLC ±0.1 2 PLC ±0.02 3 PLC ±0.005 4 PLC ±0.0005 ANGLES ±.1		NAME: Ocean Side Feed Applicator PRODUCT SPEC: APPLICATION SPEC: WEIGHT: SCALE: 1:1	SHEET 2 OF 4 REV A
MATERIAL:		CAGE CODE: 00779 DRAWING NO: 2151699	RESTRICTED TO:







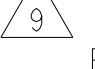


PACIFIC VERSION TERMINATOR INTERFACE ADAPTER	PART NUMBER	REVISION	DESCRIPTION	FEED TYPE	APPLICATOR STYLE CONVERSION CHART						
					CONVERT TO	PART NUMBERS REQUIRED					
	2-2151699-2	A	FINE CRIMP HEIGHT ADJUST	PNEUMATIC	-	-	-	-	-	-	
	2-2151699-5	A	FINE CRIMP HEIGHT ADJUST	SERVO LATCH PLATE 	SERVO LATCH PLATE	2119951-1	2161540-1	8-2151699-5	1901094-3	1976043-1	2168400-6 (QUANTITY 2)
	2-2151699-7	A	FINE CRIMP HEIGHT ADJUST	NONE	-	-	-	-	-	-	
	7-2151699-7	A	CRIMP TOOLING KIT	-	-	-	-	-	-	-	







APPLICATOR DATA		
CRIMP WIRE	SIZE	TYPE
	.205 [5.21 mm]	D
INSUL	-	-

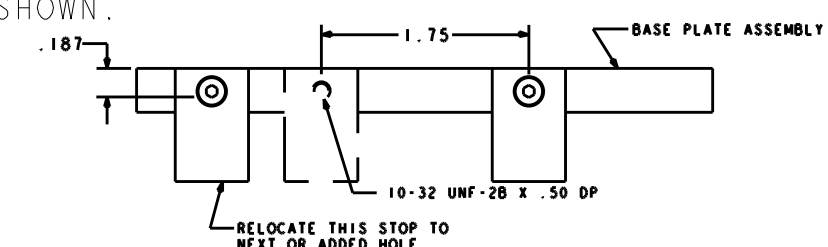
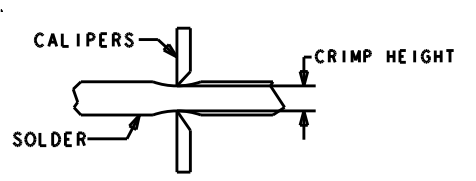
APPLICATOR INSTRUCTIONS
408-10389 

TERMINAL DATA: TE TERMINAL		TE CRIMP SPECIFICATION	
TERMINAL NAME: FULLY INSULATED FASTON			
WIRE STRIP LENGTH		INSULATION DIAMETER RANGE	
.240-.322 IN [6.10-8.18 mm]		Ø .240 MAX	
TERMINAL APPLICATION SPECIFICATION	114-2123		
TERMINALS APPLIED 			
TE TERMINAL	TE TERMINAL	TE TERMINAL	TE TERMINAL
3-520370-2			

WIRE SIZE	CRIMP HEIGHT INCH [mm]	CRIMP HEIGHT REFERENCE SETTING	Ø SOLDER
14	0.075+/-0.002 [1.91+/-0.05]	5.6	.19 IN [4.83mm]
16	0.070+/-0.002 [1.78+/-0.05]	7.0	.19 IN [4.83mm]

-  RECOMMENDED SPARE PARTS
-  GREASE BEARING SURFACES LIGHTLY
- 3. LUBRICATE DAILY PER THE APPLICATOR INSTRUCTION SHEET SUPPLIED WITH THE APPLICATOR.
-  APPLICATOR SPECIFIC DATA TO BE ENTERED INTO BLANK MEMORY CHIP AT ASSEMBLY. SEE BELOW FOR PART NUMBER:
 PNEUMATIC FEED WITH "SMART APPLICATOR" CONVERSION: 8-2151699-4
 SERVO FEED WITH "FINE CRIMP HEIGHT ADJUST": 8-2151699-5
 SERVO FEED WITH "NON-CRIMP HEIGHT ADJUST": 8-2151699-6
- 5. ADJUSTMENT OF THE STRIPPER MAY BE REQUIRED WHEN MOVING THE APPLICATOR BETWEEN BENCH AND LEADMAKER APPLICATIONS.
-  GREASE THREADS, GROOVE AND O-RING ON ITEMS 139 & 152.
-  MAGNET MUST BE ORIENTED CORRECTLY IN ORDER TO PROPERLY ACTUATE THE COUNTER.
-  CRIMP HEIGHT REFERENCE SETTING WAS THE SETTING USED WHEN THE APPLICATOR WAS QUALIFIED AT THE FACTORY. ADJUSTMENT MAY BE NECESSARY WHEN RUNNING APPLICATOR IN THE FIELD.
-  TO CONVERT THE APPLICATOR TO A NON-CARRIER CUTTING STYLE, REMOVE ITEM 13 AND ATTACH TO THE LOCATION ON BACK SIDE OF THE HOUSING. REFER TO INSTRUCTION SHEET FOR ADDITIONAL INFORMATION.
-  ITEM 7 MUST BE REMOVED IF APPLICATOR IS USED ON BENCH MACHINE.
-  ITEMS 5 AND 9 ARE REQUIRED WHEN RUNNING ON A LEADMAKER. ITEM 42 REQUIRED WHEN RUNNING ON A BENCH MACHINE.

-  TO CHECK CRIMP HEIGHT, CRIMP SOLDER (Ø.19 IN [4.83mm] 60/40 SOLID CORE) AND MEASURE AT CENTER OF SLUG.
-  IT MAY BE NECESSARY TO MODIFY THE T-TERMINATING/K-PRESS BASE PLATE BEFORE USE BY ADDING A 10-32 HOLE TO RELOCATE THE FORWARD STOP AS SHOWN.
-  ITEMS 253 AND 255 MUST BE INSTALLED IN THE G-TERMINATING UNIT CHIP RELIEF HOLE BEFORE INSTALLING THE APPLICATOR.
-  ITEM 257, REQUIRED IF APPLICATOR IS RUN ON T-TERMINATING UNIT/K-PRESS. GUARD, ITEM 256, REQUIRED IF APPLICATOR IS BEING USED ON G-TERMINATOR.
-  TERMINAL PITCH NOT COMPATIBLE WITH MECHANICAL FEED.
-  CUT TO LENGTH AT ASSEMBLY.



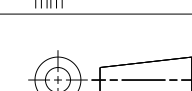
***WARNING**
 ON INSTALLATION, SET WIRE DISC, ITEM 40 TO LARGEST WIRE SIZE SETTING. USE OF SETTINGS BELOW MINIMUM REQUIRED CRIMP HEIGHT SETTING WILL CAUSE DAMAGE TO CRIMP TOOLING.

-	REF	REF	REF	462992-7	GUARD ASSEMBLY	257
-	REF	REF	REF	679532-1	INSERT, GUARD	256
-	1	1	1	189728-1	BRACKET, SPACER	255
-	1	1	1	568681-1	SPACER, BASE PLATE	253
-	1	1	1	2119782-1	FINE ADJUST HEAD ASM, PACIFIC STYLE	251
-	-	-	1	2119640-1	PUSH ROD, AIR FEED	250
-	-	-	1	2079988-1	BUSHING, LCHS-12, MISUMI	249
-	1	1	1	1-22279-3	SPRING, COMPRESSION	246
-	1	1	1	7-18023-7	SCR, SKT HD CAP M3 X 4.0	241
-	-	2	-	2168400-6	SHCS, LOW HEAD, RoHS, M5 X 16	240
-77	-27	-25	-22	PART NO	DESCRIPTION	ITEM NO

SET UP GAUGE	LOC	DIST	REVISIONS					
2119599-1	A	66	P	LTN	DESCRIPTION	DATE	OWN	APVD
			-	-	SEE SHEET 1	-	-	-

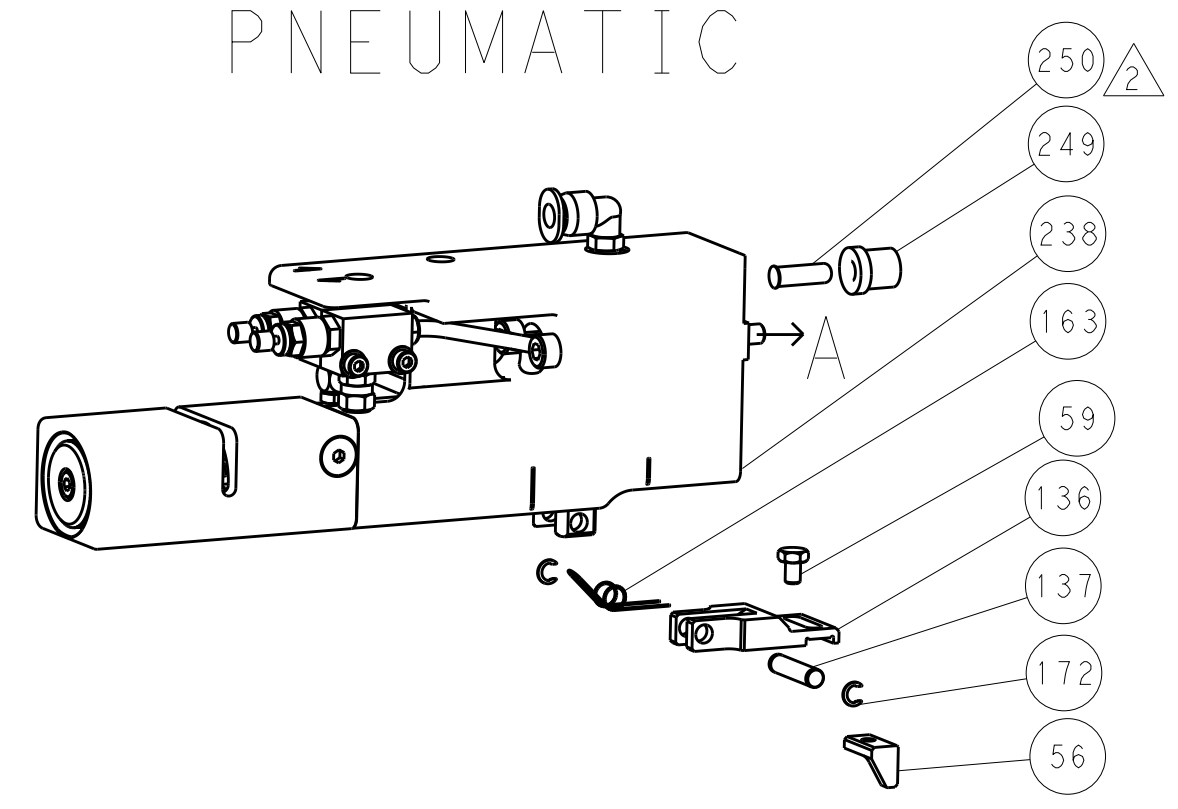
-	-	-	-	2119580-1	MECHANICAL FEED ASSEMBLY	239
-	-	-	1	2063440-2	AIR FEED MODULE	238
-	-	1	-	2119740-2	TAG IDENTIFICATION	213
-	-	1	-	1901094-3	SPACER, FEEDER	198
-	-	-	2	21045-3	RING, RETAIN, EXTERN, 3/16 CRESCENT	172
-	1	1	1	994969-1	MAGNET, RARE EARTH HIGH ENERGY	166
-	REF	REF	REF	994970-2	COUNTER, MAGNETIC	164
-	-	-	1	240638-1	SPRING, FEED FINGER	163
-	1	1	1	8-21084-1	O-RING, .801 ID, .070 DIA, MAT.	152
-	-	-	1	2119641-2	FEED CAM, AIR FEED	151
-	1	1	1	2119798-2	DETENT PIN	145
-	1	1	1	2079383-8	SCR, BHSC, RoHS (M4 X 16)	144
-	4	4	4	2168400-5	SHCS, LOW HEAD, RoHS, M4 X 20	143
-	1	1	1	2-2119656-0	APPLICATOR BASIC ASSEMBLY, SF	141
-	1	1	1	2119650-1	RAM, ASIAN STYLE, SIDE FEED	140
-	1	1	1	2119092-2	BOLT, ADJUSTMENT	139
-	-	-	1	3-23627-7	PIN, RETAIN, GRVD, 3/16 X .854	137
-	-	-	1	2119799-1	HOLDER, FEED FINGER, AF	136
-	-	REF	-	SEE NOTE 4	MEMORY CHIP, PROGRAMMED	135
-	-	1	-	1633743-1	SERVO FEED LATCH ASM	133
-	1	1	1	1-22281-8	SPRING, COMPRESSION	121
-	1	1	1	1-18028-2	WASHER, FLAT, REG M4	119
-	1	1	1	1-690438-0	FRONT STRIP GUIDE	96
-	2	2	2	2168083-1	SCR, SKT HD CAP, RoHS, M3 X 8.0	95
-	4	4	4	18023-4	SCR, SKT HD CAP M3 X 10.0	94
-	1	1	1	2168083-6	SCR, SKT HD CAP, RoHS, M5 X 65	93
-	1	1	1	455888-4	SPACER, CRIMPER	82
-	1	1	1	240641-9	SPACER	81
-	1	1	1	2119956-1	DOCUMENTATION PACKAGE	71
-	1	1	1	2161332-4	DEPRESSOR, WIRE FUNNEL	70
-	1	1	1	2161331-1	SPACER, WIRE FUNNEL DEPRESSOR	69
-	2	2	2	1-18028-4	WASHER, FLAT, REG M3	68
-	1	-	1	2119740-1	TAG IDENTIFICATION	67
-	2	2	2	2168078-1	SCREW, DRIVE, RH, RoHS	66
-	1	1	1	2119793-1	LIMITER, ADJUSTMENT BOLT	63
-	3	3	3	992763-5	SCR, SET, SOC, CONE POINT, M3 X 4.0	62
-	2	2	2	2-18032-5	SCR, SET, FLT POINT M5 X 20.0	61
-	-	-	1	5-18022-5	SCR, HEX HD CAP, M4 X 6.0	59
-	-	-	1	462427-2	FINGER, FEED	56
-	2	2	2	2168083-8	SCR, SKT HD CAP, RoHS, M4 X 16	53
-	-	-	1	18023-9	SCR, SKT HD CAP M4 X 6.0	49
-	1	1	1	462433-7	SUPPORT, INSULATION	42
-	1	1	1	2079383-7	SCR, BHSC, RoHS (M8 X 25)	41
-	1	1	1	2119645-1	DISC, NUMBERED FA WIRE ADJUSTMENT	40
-	1	1	1	2119957-1	APPLICATOR SHIM PACK	39
-	1	1	1	2119644-2	RAM WASHER, PRECISION	38
-	2	2	2	5-22278-1	SPRING, COMPRESSION	33
-	1	1	1	2161328-1	HEX HEAD, FLANGED, M5 X 8mm LONG	32
-	2	2	2	1-2168083-4	SCR, SKT HD CAP, RoHS, M4 X 5	30
-	1	1	1	2161336-1	PLATE, REAR STRIP GUIDE	29
-	2	2	2	22281-9	SPRING, COMPRESSION	27
-	1	1	1	356835-1	LEVER, DRAG RELEASE	26
-	1	1	1	240792-1	DRAG, TERMINAL	25
-	1	1	1	684042-4	GUIDE, STRIP, FRONT	24
-	1	1	1	980371-4	SCR, SKT HD SHLDR 5.0 DIA X 6.0	23
-	1	1	1	2168083-2	SCR, SKT HD CAP, RoHS, M4 X 8.0	21
-	1	1	1	1-18028-2	WASHER, FLAT, REG M4	20
-	1	1	1	2119533-1	STRIPPER, SIDE FEED	19
-	1	1	1	463460-2	HOLD DOWN, TERMINAL	18
-	1	1	1	469542-3	REAR FLOATING SHEAR	17
-	2	2	2	1-2168083-1	SCR, SKT HD CAP, RoHS, M3 X 6	16
-	1	1	1	2161335-2	SHEAR PLATE, REAR	15
-	1	1	1	2119862-2	SHEAR HOLDER, REAR	14
-	1	1	1	2119806-1	INSERT, SHEAR	13
-	1	1	1	3-22280-3	SPRING, COMPRESSION	12
-	1	1	1	1-356885-4	STOP, SHEAR	11
-	1	1	1	462843-6	TERMINAL SUPPORT	9
-	1	1	1	464282-2	ANVIL, SAND-BLASTED 16-14	8
-	1	1	1	803925-2	GUIDE, CARRIER SCRAP	7
-	1	1	1	2-690468-5	DEPRESSOR SHEAR, REAR	6
-	1	1	1	462431-5	WIRE FUNNEL	5
-	1	1	1	238009-3	BLOCK, FL CRIMPER SPACER	4
-	1	1	1	464281-1	CRIMPER, SEMI FLAT 16-14	1
-77	-27	-25	-22	PART NO	DESCRIPTION	ITEM NO

PACIFIC VERSION
 Shown on sheets 3 of 4 & 4 of 4
 (Atlantic version shown on sheets 1 of 4 & 2 of 4)

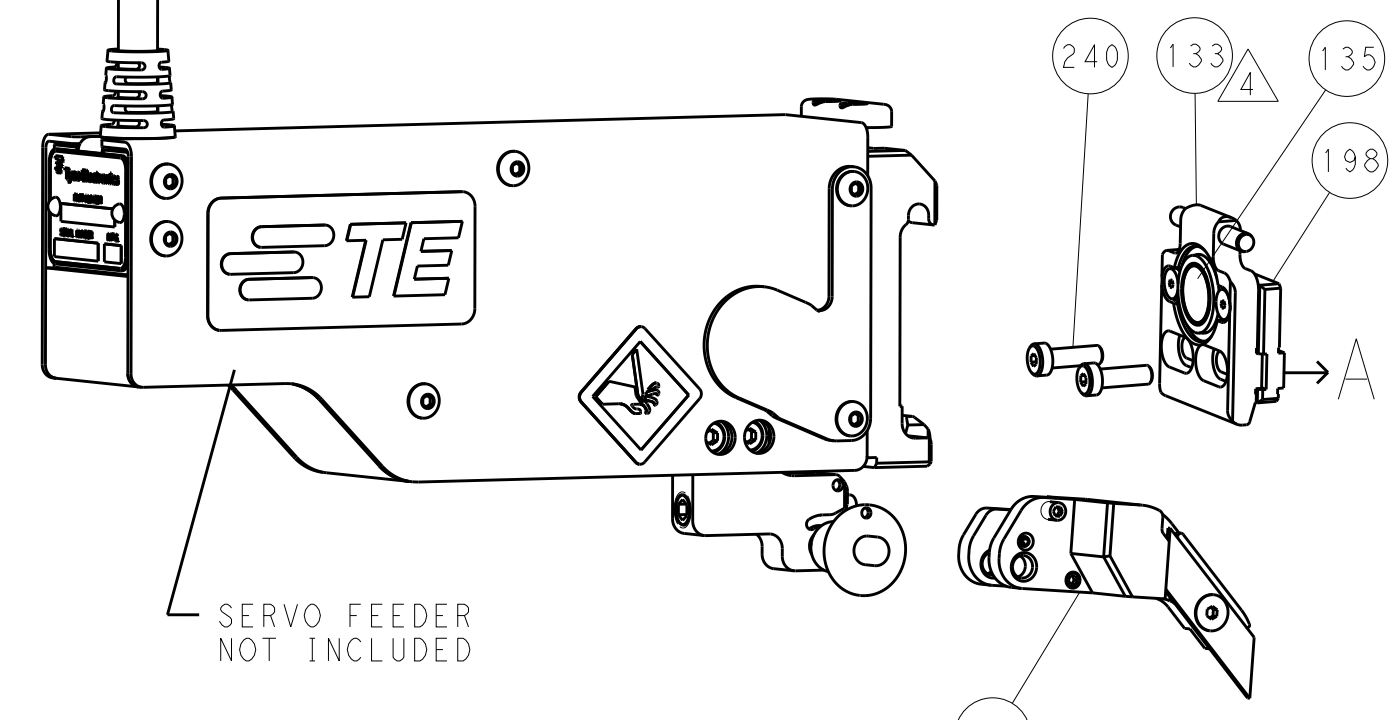
DIMENSIONS: mm 		TOLERANCES UNLESS OTHERWISE SPECIFIED: 0 PLC ±.1 1 PLC ±.02 2 PLC ±.005 3 PLC ±.0005 4 PLC ±.0005 ANGLES ±.1		DWG NO. WEAVER 18JUN2012 CHK G. HOFENER APVD T. ELBIN 18JUN2012 PRODUCT SPEC APPLICATION SPEC WEIGHT MATERIAL		NAME Ocean Side Feed Applicator SIZE CAGE CODE DRAWING NO A1 00779 ©=2151699 RESTRICTED TO	
Customer Accessible Production Drawing				SCALE 1:1		SHEET 3 OF 4 REV A	

LOC		DIST		REVISIONS			
A	66	P	LTM	DESCRIPTION	DATE	DWN	APVD
		-	-	SEE SHEET 1	-	-	-

FEED TYPE PNEUMATIC

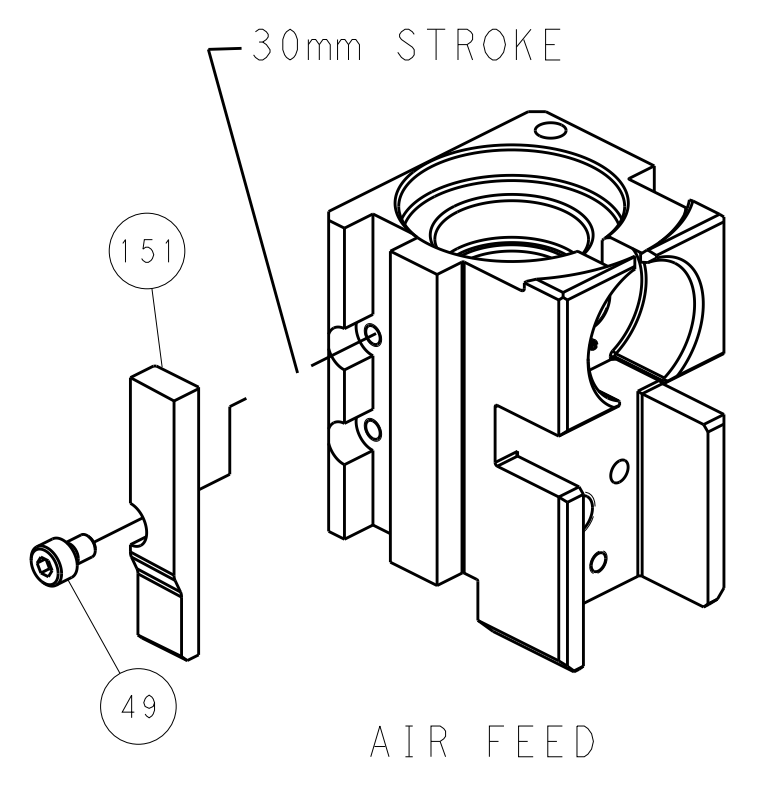


SERVO LATCH PLATE

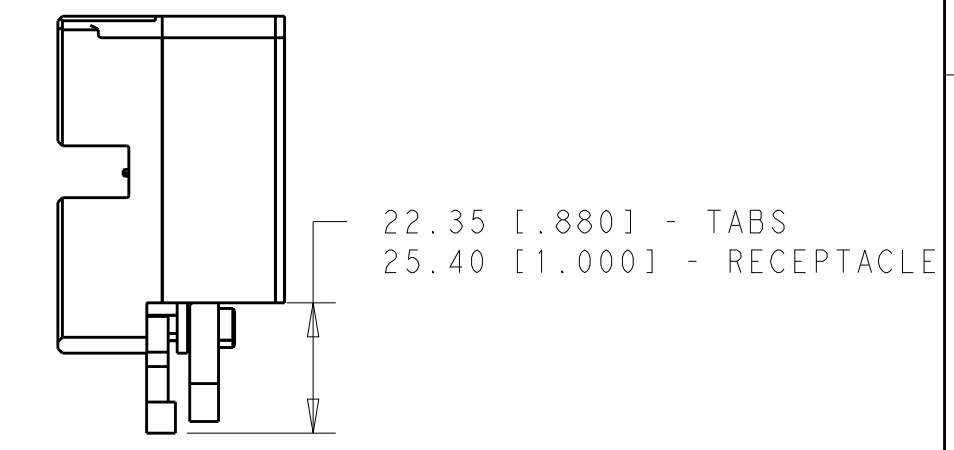
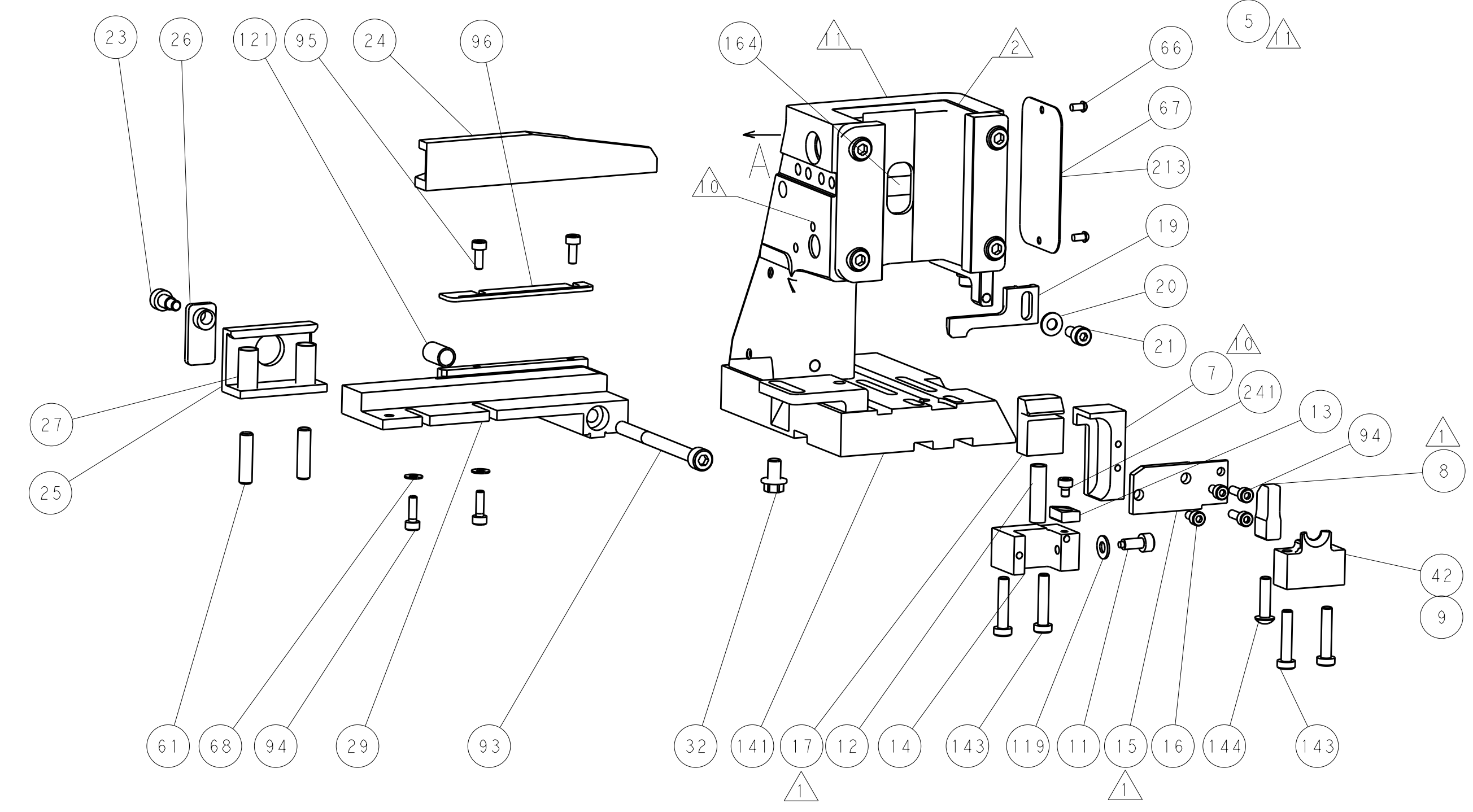
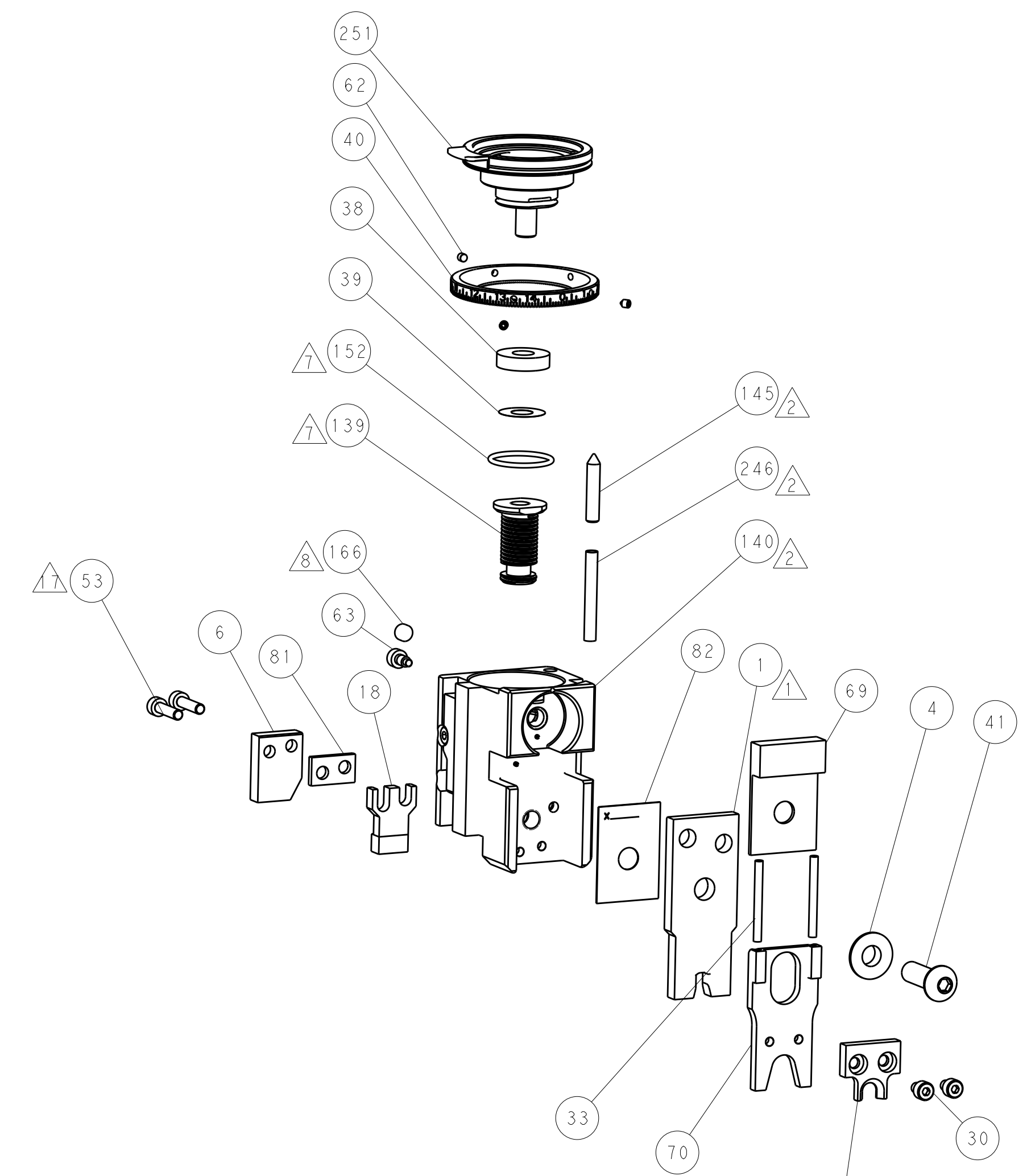


***FEED FINGER REPRESENTATION ABOVE MAY DIFFER FROM ACTUAL FEED FINGER THAT IS REQUIRED BY THIS APPLICATOR

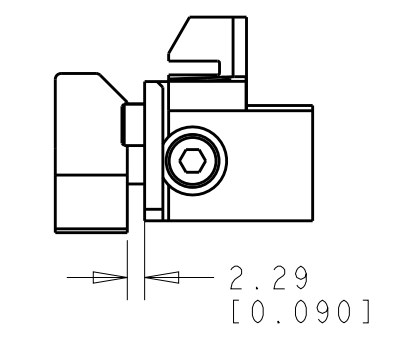
CAM POSITION



AIR FEED



HOLDDOWN SET-UP



LOWER TOOLING SET-UP

PACIFIC VERSION
 Shown on sheets 3 of 4 & 4 of 4
 (Atlantic version shown on sheets 1 of 4 & 2 of 4)

DIMENSIONS:		TOLERANCES UNLESS OTHERWISE SPECIFIED:		DWN: B. WEAVER 18JUN2012		TE Connectivity Harrisburg, PA 17105-3608	
mm	0 PLC ±.1	1 PLC ±0.1	2 PLC ±0.02	3 PLC ±0.005	4 PLC ±0.0005	APVD: T. ELBIN 18JUN2012	NAME: Ocean Side Feed Applicator
MATERIAL:	FINISH:	WEIGHT:	APPL. SPEC:	SIZE:	CAGE CODE:	DRAWING NO:	RESTRICTED TO:
				A1	00779	©=2151699	
Customer Accessible Production Drawing				SCALE: 1:1	SHEET: 4	OF: 4	REV: A