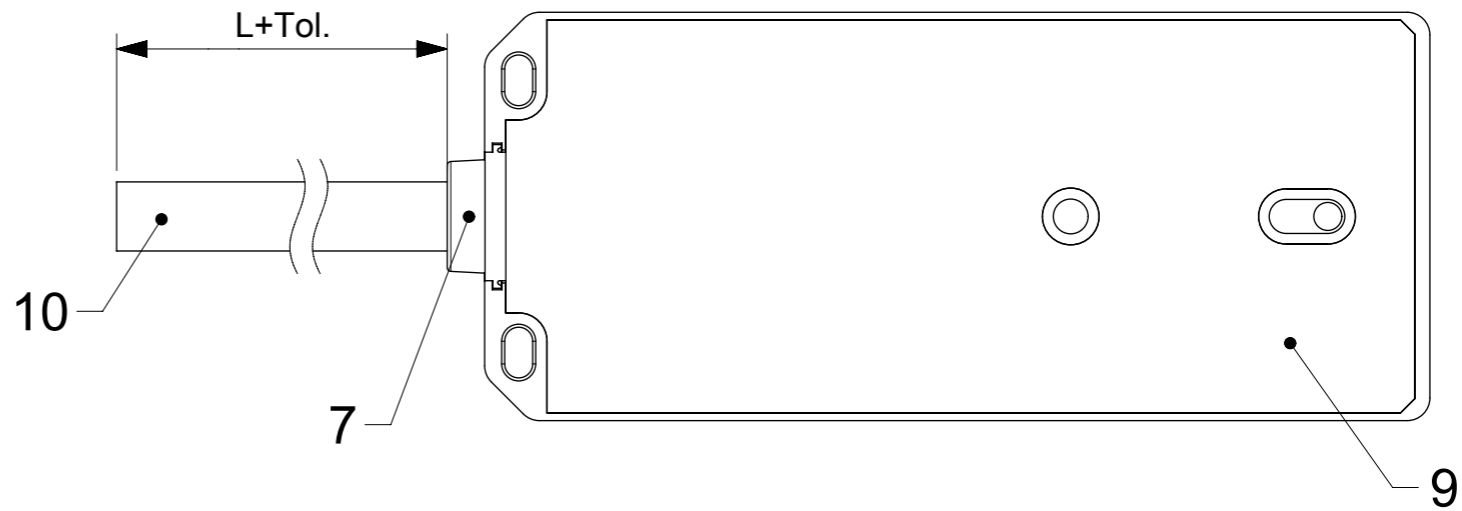
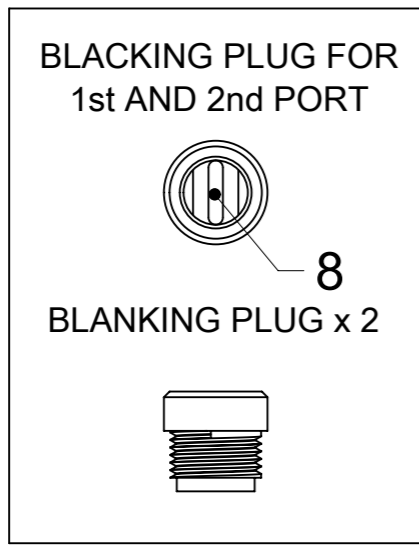
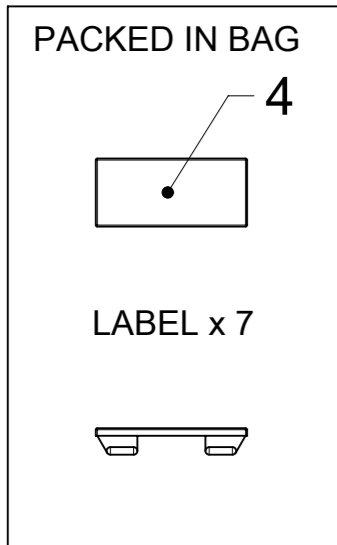
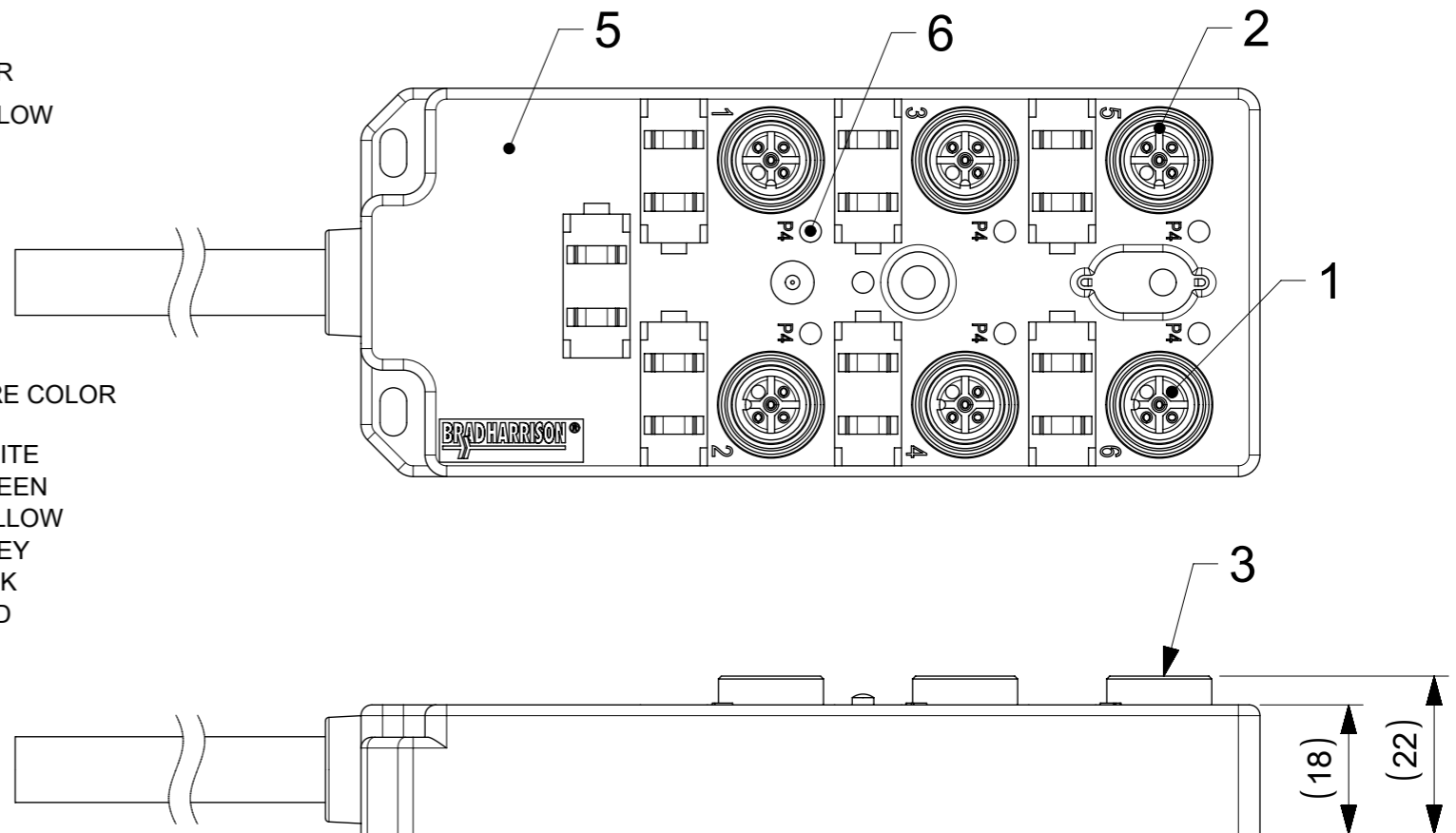
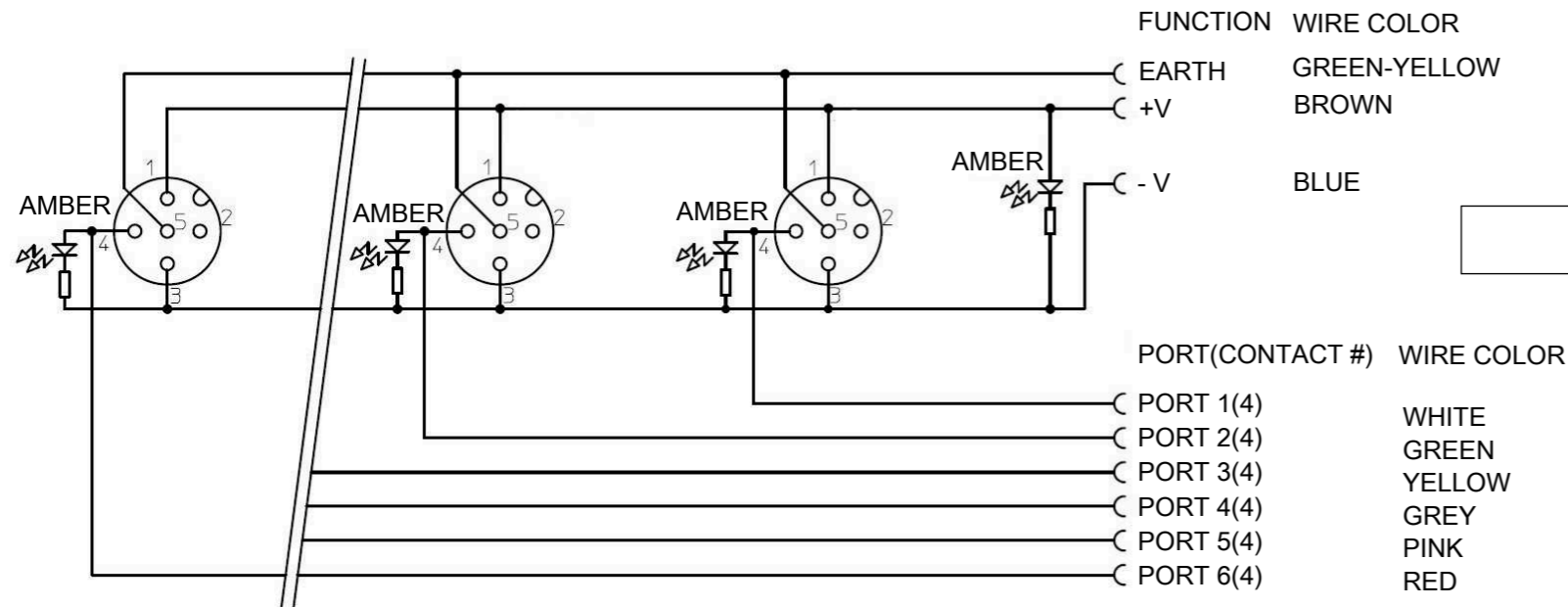


WIRING DIAGRAM

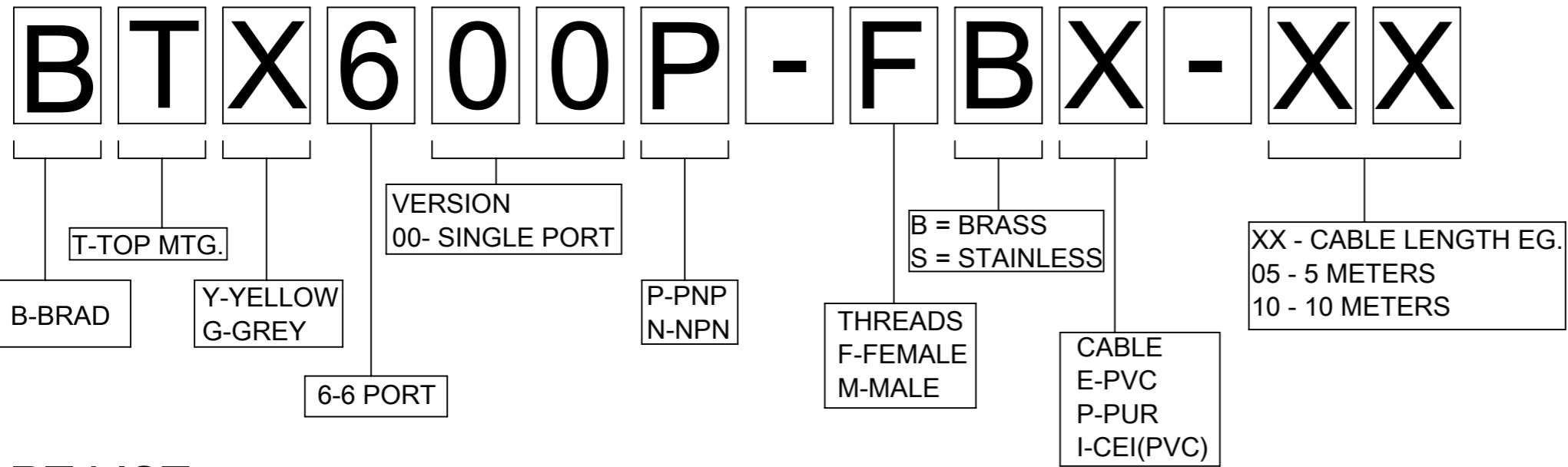


BOM

ITEM	QTY.	DESCRIPTION	MATERIAL	FINISH/COLOR
1	24	CONTACT FEMALE	BRASS	GOLD OVER Ni-PLATED
2	6	GASKET OR	FPM	RED
3	6	SHELL	BRASS	Ni-PLATED
4	7	LABEL	PLASTIC	WHITE
5	1	SINGLE PORT CABLE HOUSING	TBP	YELLOW
6	7	LED	GRILLAMID TR 55	TRANSPARENT
7	1	CABLE PLATE	ULTRADUR B4406 G2	YELLOW
8	2	BLANKING PLUG	PP	VDI 3400
9	-	POTTING MATERIAL	WEVO	-
10	-	CABLE	SEE MATRIX	SEE MATRIX

SYMBOLS DIMENSION UNITS: mm SCALE: 1:1 GENERAL TOLERANCES (UNLESS SPECIFIED): ANGULAR TOL ± 1.0° 4 PLACES ± 3 PLACES ± 2 PLACES ± 0.05 1 PLACE ± 0.3 0 PLACES ± 0.5 DRAFT WHERE APPLICABLE MUST REMAIN WITHIN DIMENSIONS THIRD ANGLE PROJECTION	THIS DRAWING CONTAINS INFORMATION THAT IS PROPRIETARY TO MOLEX ELECTRONIC TECHNOLOGIES, LLC AND SHOULD NOT BE USED WITHOUT WRITTEN PERMISSION CURRENT REV DESC: INITIAL RELEASE					
	EC NO: 606320 DRWN: SSM 2018/10/09 CHK'D: SSM 2018/10/22 APPR: RSILLER 2018/10/22					M12-MPIS-6W-SINGLE I/O-5M-PVC PRODUCT CUSTOMER DRAWING
	INITIAL REVISION: DRWN: SSM 2018/10/09 APPR: RSILLER 2018/10/22		DOCUMENT NUMBER: 1200550402	DOC TYPE: PSD	DOC PART: 000	REVISION: A
	DRAFT WHERE APPLICABLE MUST REMAIN WITHIN DIMENSIONS		A3-SIZE	SERIES: 120055	MATERIAL NUMBER: SEE SHEET 2	CUSTOMER: GENERAL MARKET

PART No MATRIX



PART LIST

MOLEX P/N	ENGINEERING NO.	CABLE P/N	"Length"(MM)
1200550402	BTY600P-FBE-05	1202092996	10000
1200550570	BTY600P-FBI-10	930900054	10000
1200550605	BTY600P-FBE-10	930900050	10000
1200550621	BTY600P-FBE-20	930900126	20000
1201140054	BTY600P-FBP-15	1202090938	15000
1201148017	BTY600P-FBP-05	1202090938	5000
1201148018	BTY600P-FBP-10	1202090938	10000
1201148019	BTY600P-FBP-20	1202090938	20000

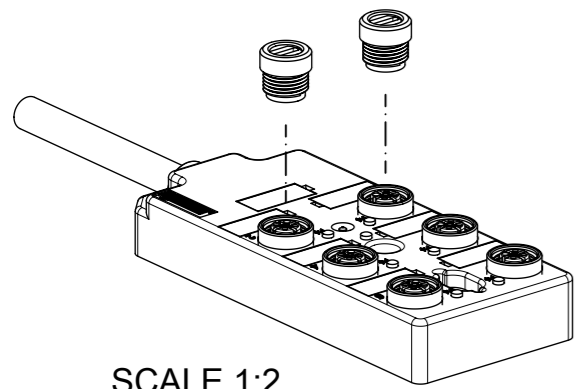
TECHNICAL SPECIFICATION:

VOLTAGE RATING : 10-30 VDC
 AMPERAGE PER PORT : 4 AMPS
 PROTECTION RATING : IP68
 OPERATING TEMPERATURE : -20°C TO +90°C

CABLE INFORMATION:

CABLE TYPE	NO. OF WIRES	CROSS SECTION	CABLE JACKET	UL	CSA	STATIC: TEMP. / BENDING RADIUS	DYNAMIC: TEMP. / BENDING RADIUS	DRAG CHAIN	VOLTAGE RATING
E : E80-9	9	0.34mm ² /0.75mm ²	PVC YELLOW	-	-	-	-5°C to +70°C	-	300V
P : P80-9	9	0.34mm ² /0.75mm ²	PUR BLACK	-	-	-40°C to +90°C	-15°C to +90°C	2 MIO CYCLES	300V
I : I80-9	9	0.34mm ² /0.75mm ²	CEI(PVC) GRAY	-	-	-25°C to +70°C, >10xO.D.	-5°C to +70°C, 15>xO.D.	1 MIO CYCLES	300V

Over	Up to and including	Tolerance(+)
0	305	+19
305	915	+45
915	1830	+56
1830	3660	+89
3660	7320	+165
7320	14640	+317
14640	30500	+610
30500	>	+2% of length



SYMBOLS DIMENSION UNITS: mm SCALE: 1:1 GENERAL TOLERANCES (UNLESS SPECIFIED) ANGULAR TOL: ± 1.0° 4 PLACES: ± 3 PLACES: ± 2 PLACES: ± 0.05 1 PLACE: ± 0.3 0 PLACES: ± 0.5 DRAFT WHERE APPLICABLE MUST REMAIN WITHIN DIMENSIONS THIRD ANGLE PROJECTION:	THIS DRAWING CONTAINS INFORMATION THAT IS PROPRIETARY TO MOLEX ELECTRONIC TECHNOLOGIES, LLC AND SHOULD NOT BE USED WITHOUT WRITTEN PERMISSION		CURRENT REV DESC: INITIAL RELEASE		 M12-MPIS-6W-SINGLE I/O-5M-PVC PRODUCT CUSTOMER DRAWING
	EC NO: 606320		2018/10/09		
	DRWN: SSM		2018/10/22		
	CHK'D: SSM		2018/10/22		
APPR: RSILLER		2018/10/22		DOCUMENT NUMBER: 1200550402	
INITIAL REVISION:		DRWN: SSM		DOC TYPE: PSD	
APPR: RSILLER		2018/10/22		DOC PART: 000	
DRAFT WHERE APPLICABLE MUST REMAIN WITHIN DIMENSIONS		DRAWING: A3-SIZE		REVISION: A	
SERIES: 120055		MATERIAL NUMBER: SEE PART LIST		SHEET NUMBER: 2 OF 2	
CUSTOMER: GENERAL MARKET					

TABLE 1 BILL OF MATERIAL

ITEM	QTY	DESCRIPTION	MATERIAL	FINISH
1	7	LABEL	ABS	WHITE
2	1	CABLE PLATE	PBT	YELLOW
3	1	CABLE	SEE ENG. NO. MATRIX	SEE ENG. NO. MATRIX
4	24	CONTACT	BRASS	GOLD OVER NICKEL
5	6	O-RING	FPM	RED
6	6	SHELL	BRASS	NICKEL PLATET
7	7	LED	NON LED = PBT/ WITH LED = PA	NON LED YELLOW/ WITH LED TRANSPARENT
8	2	PROTECTING CAP	PP	BLACK
9	1	HOUSING	PBT	YELLOW

GENERAL CHARACTERISTICS

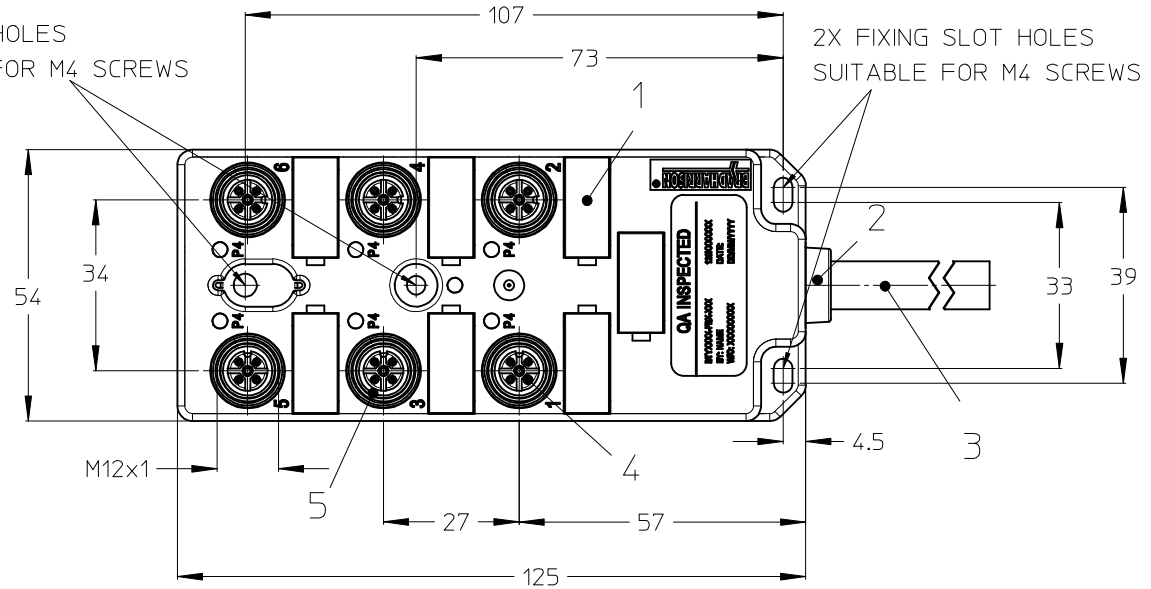
NOMINAL VOLTAGE: 10-30 V DC
 POLLUTION DEGREE: 3
 RATED CURRENT: 4 A PER PORT / 12 A MAX: TOTAL
 CONTACT RESISTANCE: ≤ 5 mOHM
 ISULATION RESISTANCE: > 10⁹ OHM
 IP DEGREE OF PROTECTION: IP 67
 IP 68 REFER TO TEST SUMMARY TS-120005-016

TEMPERATURE RANGE: -25°C to + 85°C
 (BOX ONLY)

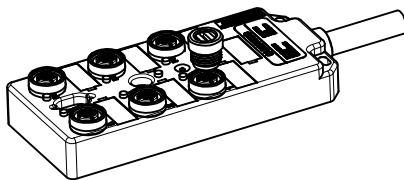
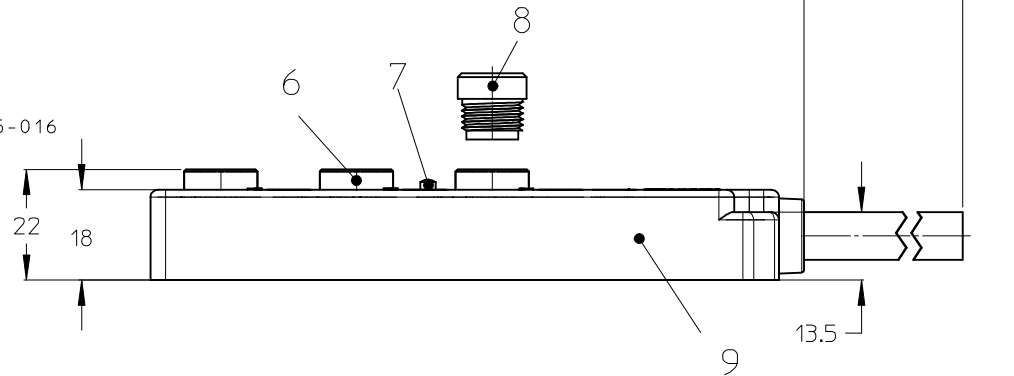
FLAMMABILITY:
 Insert: V0
 HOUSING: V0
 POTTING MATERIAL: V0

2X FIXING HOLES
SUITABLE FOR M4 SCREWS

2X FIXING SLOT HOLES
SUITABLE FOR M4 SCREWS

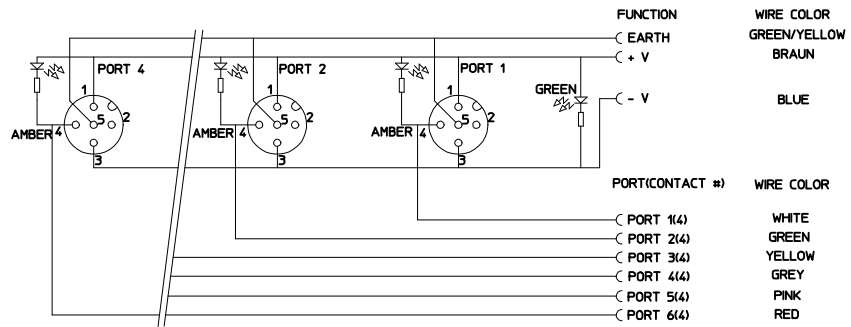


SEE TABLE 1+3

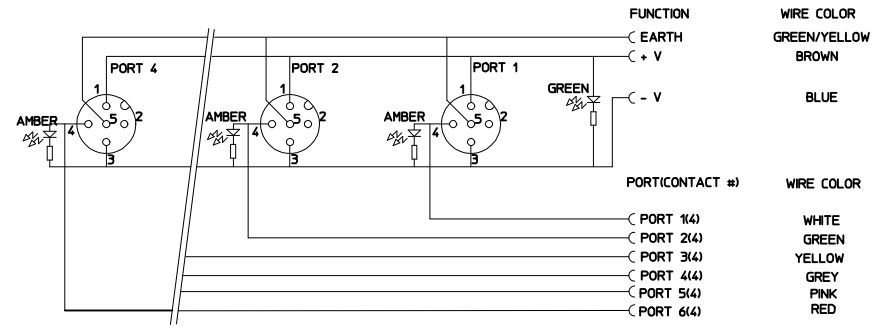


ENTER DESCRIPTION EC NO: IPG2014-0267 DRINKULETTE/METER 2013/09/24 CHYKARSILLER 2013/09/25 APPR: CBURGER 2013/10/07	QUALITY SYMBOLS	GENERAL TOLERANCES (UNLESS SPECIFIED)		DIMENSION STYLE MM ONLY		SCALE 1:1	DESIGN UNITS METRIC	THIRD ANGLE PROJECTION
	▽=0 ◻=0	4 PLACES	± ---	± ---	DRAWN BY	DATE	TITLE	
		3 PLACES	± ---	± ---	LSG	2011/08/18	MPIS M12 PNP NPN NOS 4P 6PT AC FE STR XM	
		2 PLACES	± 0.1	± ---	CHECKED BY	DATE	molex	
	1 PLACE	± 0.2	± ---	ZISMAYILOV	2011/12/14	DOCUMENT NO.		
	0 PLACE	± ---	± ---	APPROVED BY	DATE	SD-120005-013		
		ANGULAR ± 2 °		CBURGER	2011/12/20	SHEET NO.		
		DRAFT WHERE APPLICABLE MUST REMAIN WITHIN DIMENSIONS		MATERIAL NO.		1 OF 3		
A3	REV			SEE TABLE 2		THIS DRAWING CONTAINS INFORMATION THAT IS PROPRIETARY TO MOLEX INCORPORATED AND SHOULD NOT BE USED WITHOUT WRITTEN PERMISSION		

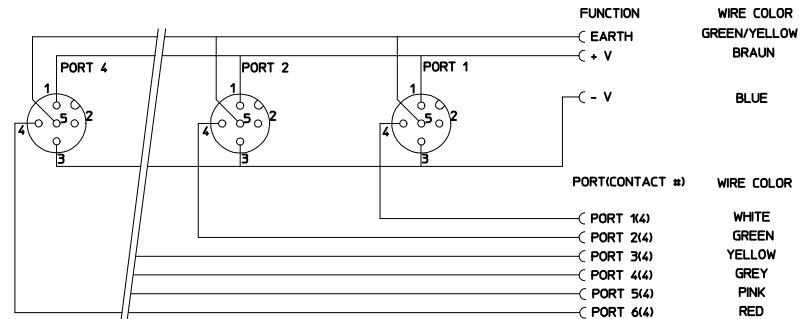
WIRING DIAGRAM SINGLE PORT NPN



WIRING DIAGRAM SINGLE PORT PNP



WIRING DIAGRAM SINGLE PORT NON LED



ENTER DESCRIPTION EC NO: IPG2014-0267 DRW:ULETTEWMEIER 2013/09/24 CHKD:RSILLER 2013/09/25 APPR:CBURGER 2013/10/07 REV A3	QUALITY SYMBOLS ▽=0 ◻=0	GENERAL TOLERANCES (UNLESS SPECIFIED)		DIMENSION STYLE MM ONLY	SCALE 1:1	DESIGN UNITS METRIC	THIRD ANGLE PROJECTION		
		4 PLACES ± --- ± ---	3 PLACES ± --- ± ---	DRAWN BY LSG	DATE 2011/08/18	TITLE MPIS M12 PNP NPN NOS 4P 6PT AC FE STR XM			
		2 PLACES ± 0.1 ± ---	1 PLACE ± 0.2 ± ---	CHECKED BY ZISMAYILOV	DATE 2011/12/14	molex			
		0 PLACE ± --- ± ---	ANGULAR ± 2 °	APPROVED BY CBURGER	DATE 2011/12/20	MATERIAL NO. SEE TABLE 2	DOCUMENT NO. SD-120005-013	SHEET NO. 2 OF 3	
DRAFT WHERE APPLICABLE MUST REMAIN WITHIN DIMENSIONS		THIS DRAWING CONTAINS INFORMATION THAT IS PROPRIETARY TO MOLEX INCORPORATED AND SHOULD NOT BE USED WITHOUT WRITTEN PERMISSION							

TABLE 2

MOLEX P/N	ENG. NR.	LED
1200550589	BTY6000-FBP-05	NO
1200550590	BTY6000-FBP-10	NO
1200550882	BTY6000-FBP-15	NO
1200051012	BTY600N-FBN-05	YES
1200051013	BTY600N-FBN-10	YES
1200051014	BTY600N-FBN-15	YES
1200050019	BTY600N-FBP-003	YES
1201148014	BTY600N-FBP-05	YES
1201148015	BTY600N-FBP-10	YES
1201148016	BTY600N-FBP-15	YES
1200550570	BTY600P-FBI-10	YES
1200051003	BTY600P-FBN-05	YES
1200051004	BTY600P-FBN-10	YES
1200051005	BTY600P-FBN-15	YES
1200050013	BTY600P-FBP-003	YES

TABLE 2

MOLEX P/N	ENG. NR.	LED
1201148017	BTY600P-FBP-05	YES
1200550884	BTY600P-FBP-05-1	YES
1201148018	BTY600P-FBP-10	YES
1201140054	BTY600P-FBP-15	YES
1201148019	BTY600P-FBP-20	YES

ENG. NO. MATRIX:

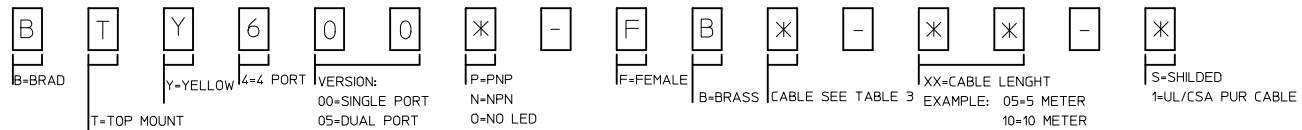


TABLE 3

CABLE	TEM. RANGE STATISCH	TEM. RANGE FLEXIBLE	CABLE DIAMETER (MM) SINGL (4POLE) 4/6/8 PORT	CABLE DIAMETER (MM) DUAL (5POLE) 4/6/8 PORT	DRAG CHAIN	UL STYLE
P=PUR/PVC/Black	-30°C TO +90°C	-5°C TO +90°C	8.4 ± 0.2 / 9.5 ± 0.2 / 9.5 ± 0.2	9.5 ± 0.2 / 9.8 ± 0.2 / 11.4 ± 0.2	1.5 MIO. CYCLES	-
P=PUR/PVC/Black/UL/CSA	-25°C TO +90°C	-	7.5 ± 0.2	8.6 ± 0.2	-	-
N=PVC/GREY	-	-10°C TO +80°C	8.4 ± 0.2	9.5 ± 0.2	10 MIO. CYCLES	2464
I=CEI/GREY	-5°C TO +70°C	-	8.4 ± 0.2	9.5 ± 0.2	-	-
E=PVC/YELLOW	-5°C TO +70°C	-	8.4 ± 0.2	9.5 ± 0.2	-	-

ENTER DESCRIPTION EC NO: IPG2014-0267 DRW:JULIENNE.ER 2013/09/24 CHKD:RSJILLER 2013/09/25 APPR:CBURGER 2013/10/07	QUALITY SYMBOLS ▽=0 ▽=0	GENERAL TOLERANCES (UNLESS SPECIFIED)		DIMENSION STYLE MM ONLY		SCALE 1:1	DESIGN UNITS METRIC	THIRD ANGLE PROJECTION
		mm INCH		DRAWN BY LSG	DATE 2011/08/18	TITLE MPIS M12 PNP NPN NOS 4P 6PT AC FE STR XM		
A3	REV	4 PLACES ± --- ± ---		CHECKED BY ZISMAYILOV	DATE 2011/12/14			
		2 PLACES ± 0.1 ± ---		APPROVED BY CBURGER	DATE 2011/12/20			
		1 PLACE ± 0.2 ± ---		MATERIAL NO. SEE TABLE 2		DOCUMENT NO. SD-120005-013	SHEET NO. 3 OF 3	
0 PLACE ± --- ± ---		ANGULAR ± 2 °		THIS DRAWING CONTAINS INFORMATION THAT IS PROPRIETARY TO MOLEX INCORPORATED AND SHOULD NOT BE USED WITHOUT WRITTEN PERMISSION				
		DRAFT WHERE APPLICABLE MUST REMAIN WITHIN DIMENSIONS						