

FEATURES

- LAN interface suitable for 10/100/1000Base-TX applications.
- RJ45/USB stacked design saves on PCB real estate.
- USB module complies with USB 2.0 standards and meets CAT5 Fast Ethernet industry performance standard.
- Magnetics are 100% electrically tested for HI-POT and continuity
- Meets or exceeds IEEE 802.3 and ANSI X3.263 standards including 350 μ H min OCL with 8 mA bias.

| ELECTRICAL SPECIFICATIONS @25°C-Operating temperature 0°C TO 70°C | | | | | | | | | | | | | | | |
|---|-------------|-------------|---------|-------|-------------------------|---|-----------|----------|-----------|--------------------|----------|-----------|--------------------------------|----------|-----------------------|
| Part Number | Data Rate | Turns Ratio | | LEDs | Insertion Loss (dB MAX) | Return Loss (dB MIN) 100 Ω ±15 Ω | | | | Crosstalk (dB TYP) | | | Common Mode Rejection (dB TYP) | | Hipot (Vrms) @60Hz |
| | | TX | RX | | | L/R | 1-100 MHz | 1-30 MHz | 30-60 MHz | 60-80 MHz | 1-10 MHz | 32-60 MHz | 60-100 MHz | 1-50 MHz | |
| RJ45-102DYD2 | 10/100 | 1CT:1 | 1CT:1CT | G-O/Y | -1.0 | -18 | -16 | -12 | -40 | -35 | -30 | -30 | -20 | 1500 | |
| RJ45-103YDD2 | 10/100 | 1CT:1 | 1CT:1CT | Y/G-O | -1.0 | -18 | -16 | -12 | -35 | -35 | -35 | -30 | -30 | 1500 | |
| RJ45-104GYD2 | 10/100 | 1CT:1 | 1CT:1CT | G/Y | -1.0 | -20 | -14 | -12 | -35 | -35 | -- | -30 | -30 | 1500 | |
| RJ45-201DYD2 | 10/100/1000 | 1CT:1 | 1CT:1 | G-O/Y | -1.0 | -18 | -16 | -12 | -35 | -35 | -35 | -30 | -30 | 1500 | |
| RJ45-202GDD2 | 10/100/1000 | 1CT:1 | 1CT:1 | G/G-O | -1.0 | -18 | -16 | -12 | -40 | -40 | -35 | -30 | -25 | 1500 | |
| RJ45-203GDD2 | 10/100/1000 | 1CT:1CT | 1CT:1CT | G/G-O | -1.0 | -18 | -16 | -12 | -40 | -35 | -30 | -30 | -20 | 1500 | |

Part Number:

RJ45 – xxx GYD 2

A:Series

A B C D

B:Schematics

C:Led

D:Gold Plating:1=3u",2=6u",3=15u",4=30u",5=50u"

Mechanicals

Housing Material: PBT

Insert Material:

RJ Upper Support : Thermoplastic UL 94V-0

Contact : Phosphor Bronze

Contact pin Material:

RJ Upper Support : Thermoplastic UL 94V-0

Contact :SPCC

Shielding Material:

1. MATERIAL : BRASS, C2680R-H

THICKNESS : 0.25mm

2. MATERIAL : STAINLESS, SUS304

THICKNESS : 0.25±0.01mm

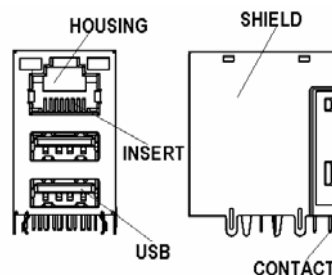
USB:

Housing : Thermoplastic UL94V-0 Black.

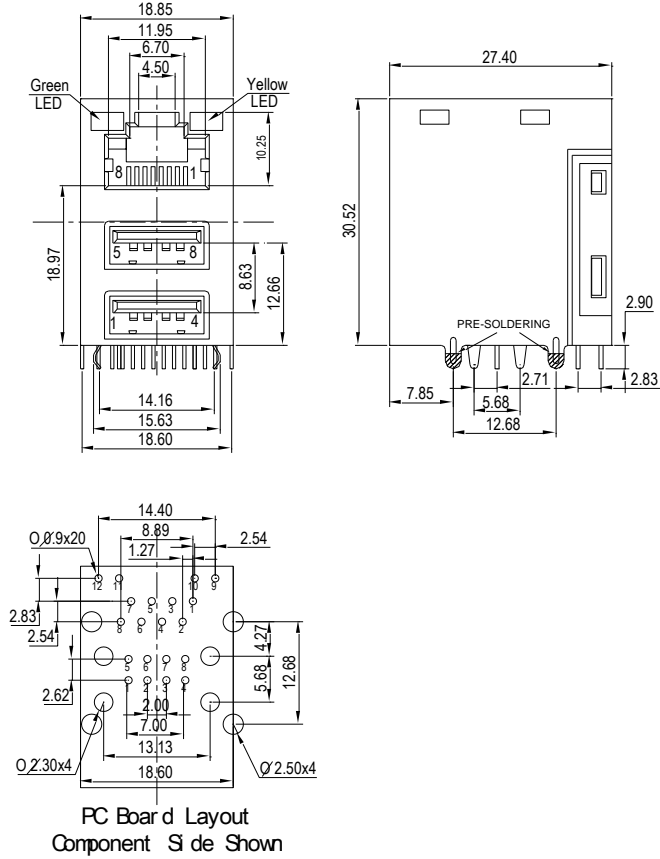
Contact: Phosphor Bronze

Shell:Copper Alloy (t=0.30mm)

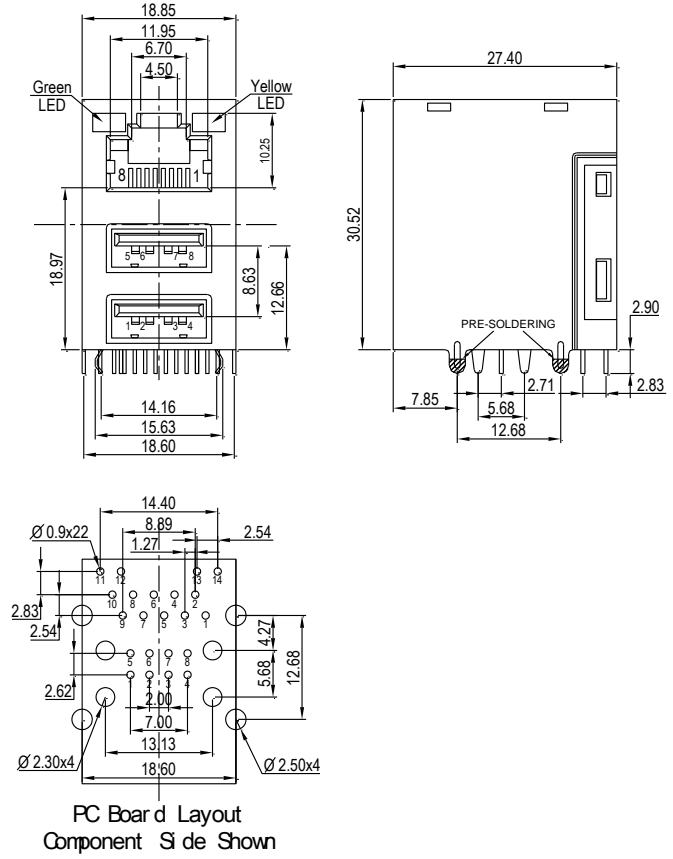
Tangue Shell:Copper Alloy (t=0.30mm)



**Mechanicals and Dimensions:
8 PIN**

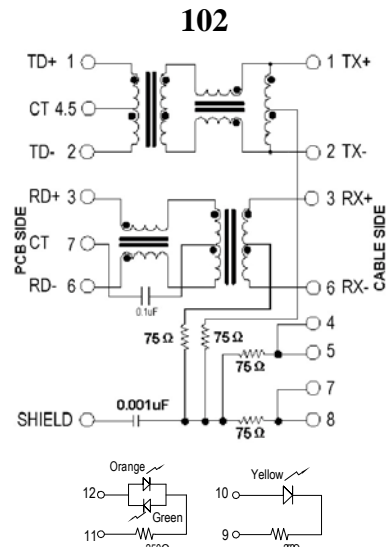
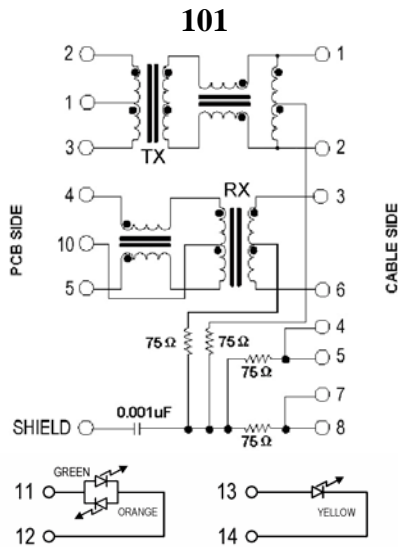


10 PIN

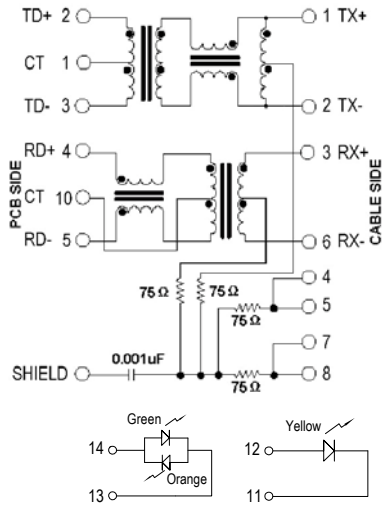


UNIT : mm Unless otherwise specified, all tolerances are ± 0.25

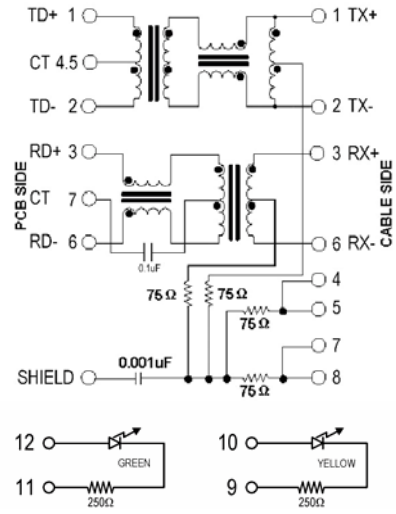
SCHEMATICS



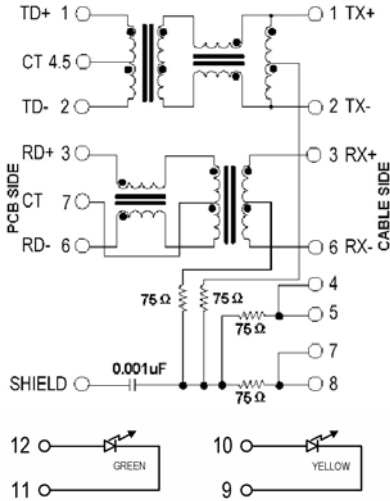
103



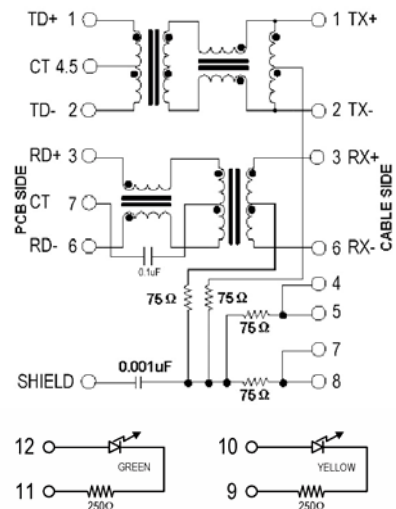
104



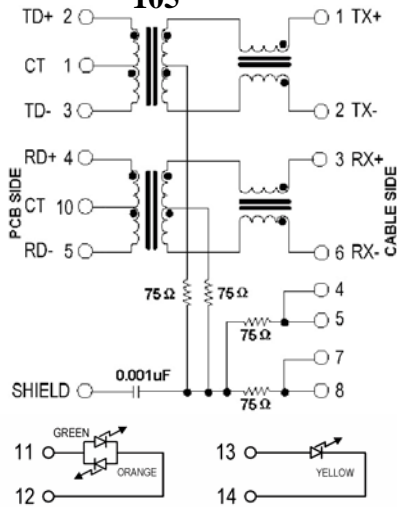
104A



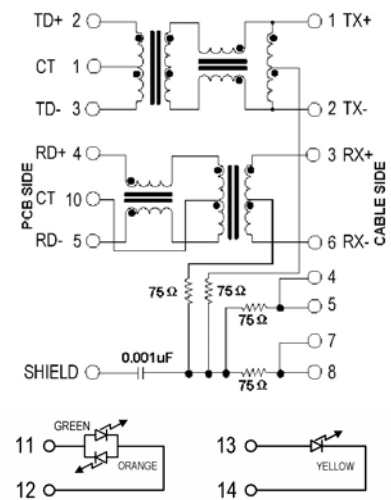
104B



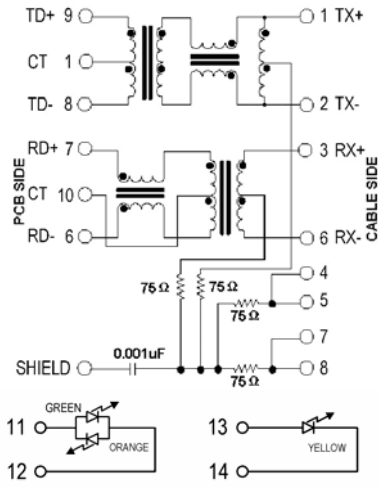
105



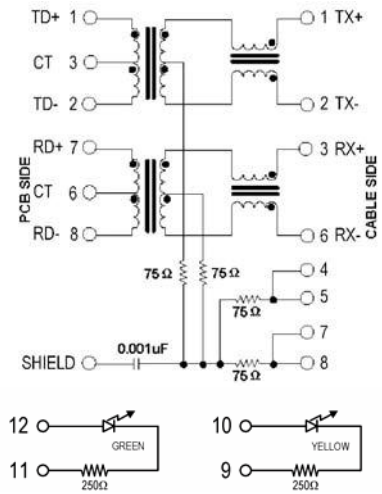
105A



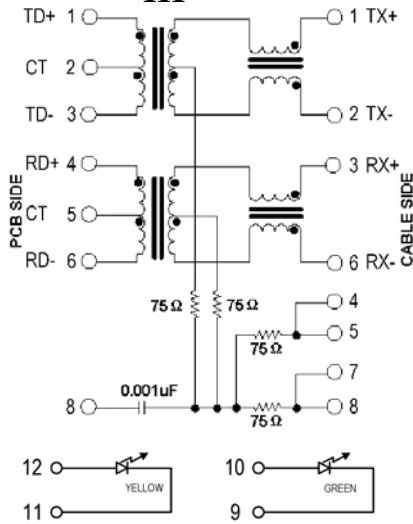
106



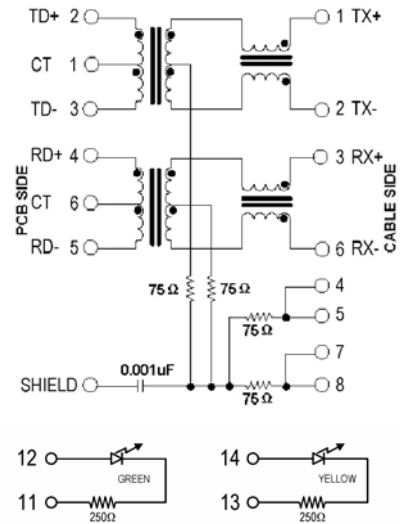
107



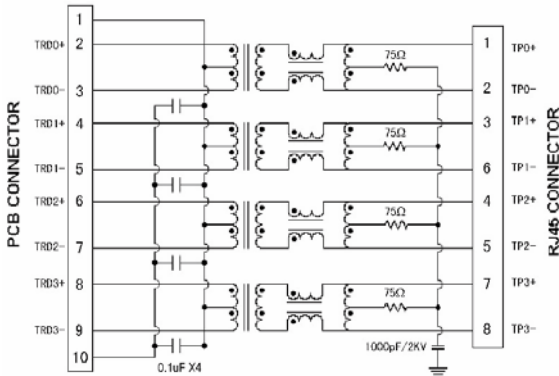
111



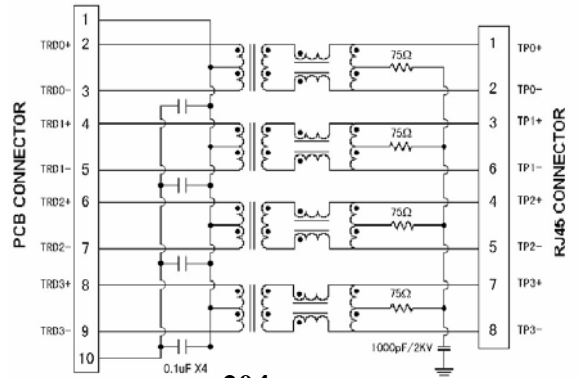
112



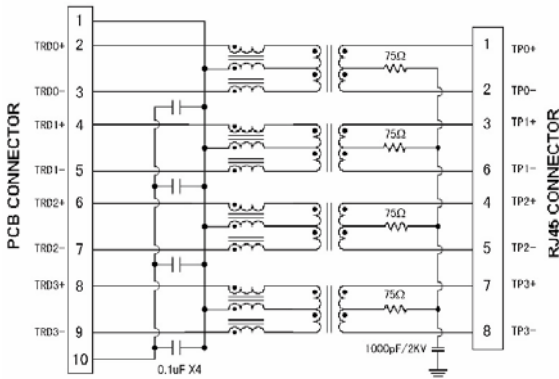
201



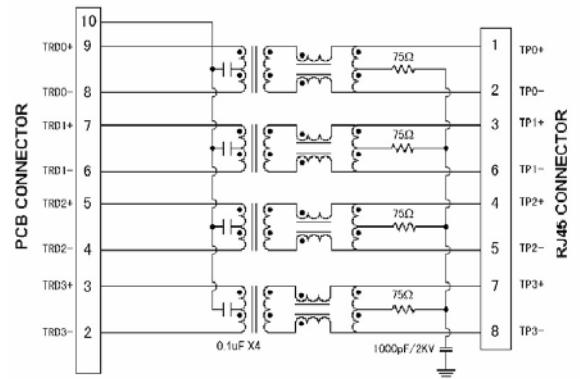
202



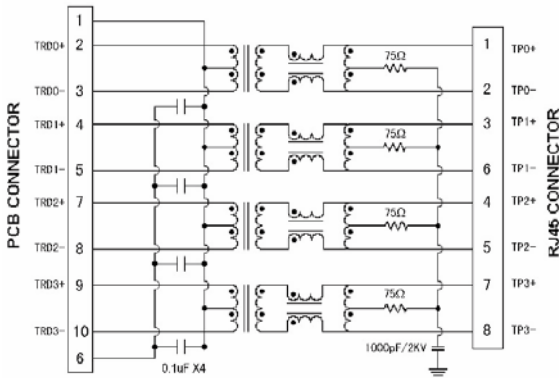
203



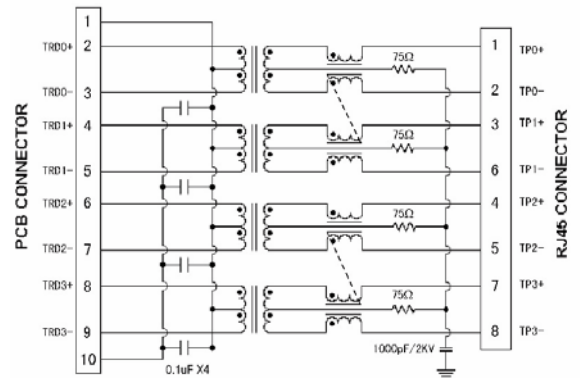
204



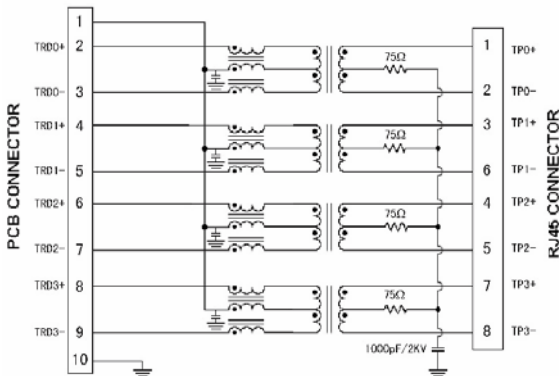
205



206



207



209

