

**PLEASE CHECK WWW.MOLEX.COM FOR LATEST PART INFORMATION**

**Part Number:** [0674921221](#)  
**Status:** **Active**  
**Overview:** serial ata 127 host receptacles  
**Description:** 1.27mm (.050") Pitch Serial ATA Host Receptacle, Right Angle, SMT, Mating Height 6.74mm (.265"), 0.76µm (30µ") Gold (Au) Plating, Embossed Tape on Reel Packaging, 22 Circuits, Tape on Reel Packaging, Lead Free

**Documents:**

[3D Model](#) [Product Specification PS-67492-001 \(PDF\)](#)  
[Drawing \(PDF\)](#) [RoHS Certificate of Compliance \(PDF\)](#)

**General**

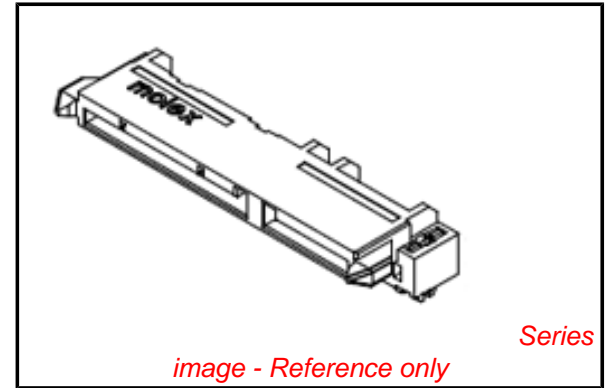
Product Family	PCB Receptacles
Series	<a href="#">67492</a>
Application	Board-to-Board
Overview	<a href="#">serial ata 127 host receptacles</a>
Product Name	Serial ATA

**Physical**

Circuits (Loaded)	22
Circuits (maximum)	22
Color - Resin	Black
Durability (mating cycles max)	500
Glow-Wire Compliant	No
Guide to Mating Part	Yes
Keying to Mating Part	Yes
Lock to Mating Part	None
Material - Metal	Copper Alloy
Material - Plating Mating	Gold
Material - Plating Termination	Tin
Material - Resin	High Temperature Thermoplastic
Number of Rows	1
Orientation	Right Angle
PCB Locator	Yes
PCB Retention	Yes
PCB Thickness Recommended (in)	0.045 In
PCB Thickness Recommended (mm)	1.20 mm
Packaging Type	Embossed Tape on Reel
Pitch - Mating Interface (in)	0.050 In
Pitch - Mating Interface (mm)	1.27 mm
Pitch - Term. Interface (in)	0.050 In
Pitch - Term. Interface (mm)	1.27 mm
Plating min: Mating (µin)	30
Plating min: Mating (µm)	0.76
Plating min: Termination (µin)	50
Plating min: Termination (µm)	1.27
Polarized to Mating Part	Yes
Polarized to PCB	Yes
Stackable	No
Temperature Range - Operating	-35°C to +85°C
Termination Interface: Style	Surface Mount

**Electrical**

Current - Maximum per Contact	1.5A
Voltage - Maximum	15V DC



**EU RoHS**

**ELV and RoHS Compliant**  
**REACH SVHC**  
 Not Reviewed  
**Halogen-Free Status**

**China RoHS**



**Not Reviewed**

**Need more information on product environmental compliance?**

Email [productcompliance@molex.com](mailto:productcompliance@molex.com)  
 For a multiple part number RoHS Certificate of Compliance, [click here](#)

Please visit the [Contact Us](#) section for any non-product compliance questions.

**Search Parts in this Series**

[67492Series](#)

**Mates With**

[87703](#) , [87672](#) Serial ATA Plugs

**Material Info**

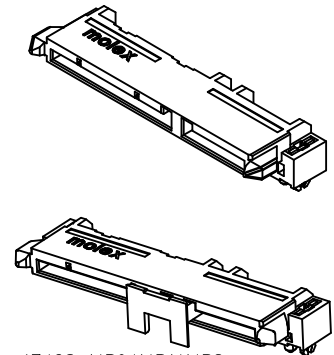
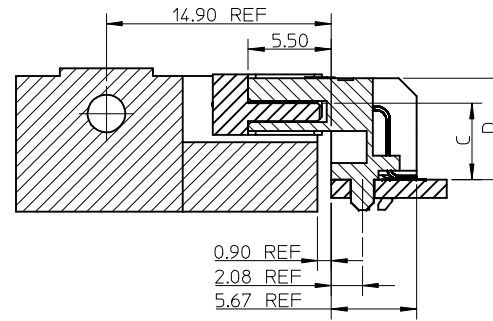
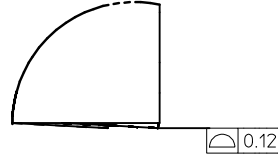
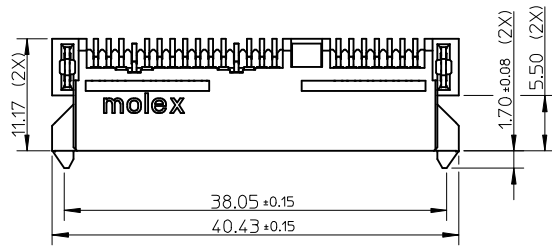
**Reference - Drawing Numbers**

Packaging Specification	PK-67492-002
Product Specification	PS-67492-001
Sales Drawing	SD-67492-001

This document was generated on 05/31/2010

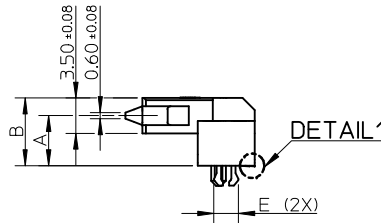
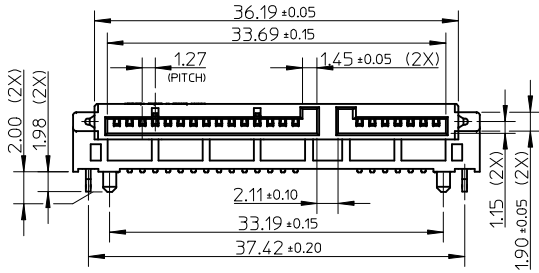
**PLEASE CHECK [WWW.MOLEX.COM](http://WWW.MOLEX.COM) FOR LATEST PART INFORMATION**

F

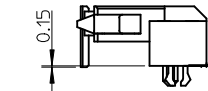
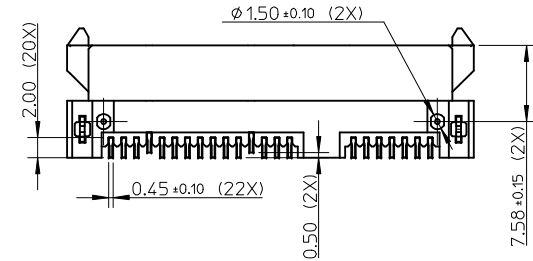


67492-1430/1431/1432  
/1325/1326/1327  
/1440/1441/1442  
/1224/1225/1226  
/1450/1451/1452.

E



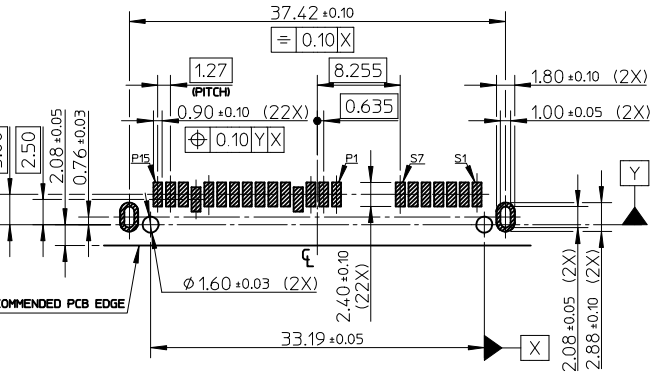
D



67492-1430/1431/1432  
/1325/1326/1327  
/1440/1441/1442  
/1224/1225/1226  
/1450/1451/1452.

OTHER DIMENSION PER OTHER VIEW

C



B

A

**RECOMMENDED P.C.B. LAYOUT (THICKNESS=1.2mm)**  
CONNECTOR SIDE

NOTES:

- MATERIAL:  
HOUSING: HIGH TEMPERATURE THERMAL PLASTIC, UL94V-0, COLOR: BLACK;  
TERMINAL: COPPER ALLOY;  
FORKLOCK: COPPER ALLOY.
- TERMINAL PLATING:  
CONTACT AREA:  
(A) GOLD FLASH;  
(B) GOLD, THICKNESS=0.76 MICRONS MINIMUM;  
(C) GOLD, THICKNESS=0.38 MICRONS MINIMUM;  
SOLDER AREA: TIN, THICKNESS=1.27 MICRONS MINIMUM;  
UNDER PLATE: NICKEL, THICKNESS=1.27 MICRONS MINIMUM.
- FORKLOCK PLATING:  
SOLDER AREA: TIN, THICKNESS=1.27 MICRONS MINIMUM;  
UNDER PLATE: NICKEL, THICKNESS=1.27 MICRONS MINIMUM.
- PRODUCT SPECIFICATION: REFER TO PS-67492-001.
- PACKAGING METHOD: TRAY, USE DRYER IN HDPE BAGE TO PREVENT BLISTER.
- MATING PARTS: 87703/87672.
- PRODUCT COMPLIANT TO RoSH DIRECTIVE 2002/95/EC AND ELV DIRECTIVE 2000/53/EC.

ADD PART NUMBER EC NO: DRWN: XQZHANG CHKD: GLLI APPR: XJ.SONG REV	2009/07/29 2009/08/07 2009/09/03	QUALITY SYMBOLS ▽=0 ◻=0	GENERAL TOLERANCES (UNLESS SPECIFIED)		DIMENSION STYLE MM ONLY		SCALE 1:1	DESIGN UNITS METRIC	THIRD ANGLE PROJECTION	
			mm      INCH	DRAWN BY GRATE MA	DATE 2003/10/10	TITLE SATA HOST RECEPTACLE R/A SMT TYPE				
			4 PLACES ± --- ± --- 3 PLACES ± --- ± --- 2 PLACES ± 0.15 ± --- 1 PLACE ± 0.25 ± ---	CHECKED BY YA JUN	DATE 2003/10/10	MOLEX INCORPORATED				
			ANGULAR ± 3 °	APPROVED BY SAM	DATE 2003/10/10	MATERIAL NO. SEE SHEET 2	DOCUMENT NO. SD-67492-001	SHEET NO. 1 OF 2		

P/N	PLATING	DIM'A'	DIM'B'	DIM'C'	DIM'D'	DIM'E'	REMARK
67492-1420	NOTES 2 (A)	4.15	5.90	4.25	5.90	2.45±0.10	TRAY PACKAGE PK-67492-001
67492-1421	NOTES 2 (B)						
67492-1422	NOTES 2 (C)						
67492-1320	NOTES 2 (A)	3.50	5.25	3.60	5.25	2.45±0.10	
67492-1321	NOTES 2 (B)						
67492-1322	NOTES 2 (C)						
67492-1120	NOTES 2 (A)	1.80	3.55	1.90	3.55	2.45±0.10	
67492-1121	NOTES 2 (B)						
67492-1122	NOTES 2 (C)						
67492-9220	NOTES 2 (A)	4.99	6.74	5.09	6.74	2.45±0.10	
67492-9221	NOTES 2 (B)						
67492-9222	NOTES 2 (C)						
67492-1220	NOTES 2 (A)	4.99	6.74	5.09	6.74	2.45±0.10	TAPE&REEL PACKAGE PK-67492-002
67492-1221	NOTES 2 (B)						
67492-1222	NOTES 2 (C)						
67492-1224	NOTES 2 (A)	4.99	6.74	5.09	6.74	2.33±0.05	TAPE&REEL PACKAGE WITH CAP PK-67492-002
67492-1225	NOTES 2 (B)						
67492-1226	NOTES 2 (C)						
67492-1430	NOTES 2 (A)	4.15	5.90	4.25	5.90	2.45±0.10	TAPE&REEL PACKAGE WITH CAP PK-67492-008
67492-1431	NOTES 2 (B)						
67492-1432	NOTES 2 (C)						
67492-1325	NOTES 2 (A)	3.50	5.25	3.60	5.25	2.45±0.10	
67492-1326	NOTES 2 (B)						
67492-1327	NOTES 2 (C)						
67492-1440	NOTES 2 (B)	4.15	5.90	4.25	5.90	2.33±0.05	
67492-1441	NOTES 2 (A)						
67492-1442	NOTES 2 (C)						
67492-1450	NOTES 2 (A)	4.10	5.85	4.20	5.85	2.33±0.05	
67492-1451	NOTES 2 (B)						
67492-1452	NOTES 2 (C)						

ADD PART NUMBER EC NO: 2009/07/29 DRWN:XQZHANG 2009/08/07 CHKD:GLLI 2009/08/07 APPR:XJ.SONG 2009/09/03	DESCRIPTION REV	QUALITY SYMBOLS	GENERAL TOLERANCES (UNLESS SPECIFIED)	DIMENSION STYLE	SCALE	DESIGN UNITS	THIRD ANGLE PROJECTION
		▼=0 ◻=0	mm    INCH 4 PLACES ± --- ± --- 3 PLACES ± --- ± --- 2 PLACES ± 0.15 ± --- 1 PLACE ± 0.25 ± --- ANGULAR ± 3 °	MM ONLY	1:1	METRIC	DRAWN BY: GRATE MA    DATE: 2003/10/10 CHECKED BY: YA JUN    DATE: 2003/10/10 APPROVED BY: SAM    DATE: 2003/10/10
		DRAFT WHERE APPLICABLE MUST REMAIN WITHIN DIMENSIONS		SEE TABLE	TITLE: SATA HOST RECEPTACLE R/A SMT TYPE MOLEX INCORPORATED DOCUMENT NO. SD-67492-001		SHEET NO. 2 OF 2
		THIS DRAWING CONTAINS INFORMATION THAT IS PROPRIETARY TO MOLEX INCORPORATED AND SHOULD NOT BE USED WITHOUT WRITTEN PERMISSION					