



Heat Sink SPL-Coax

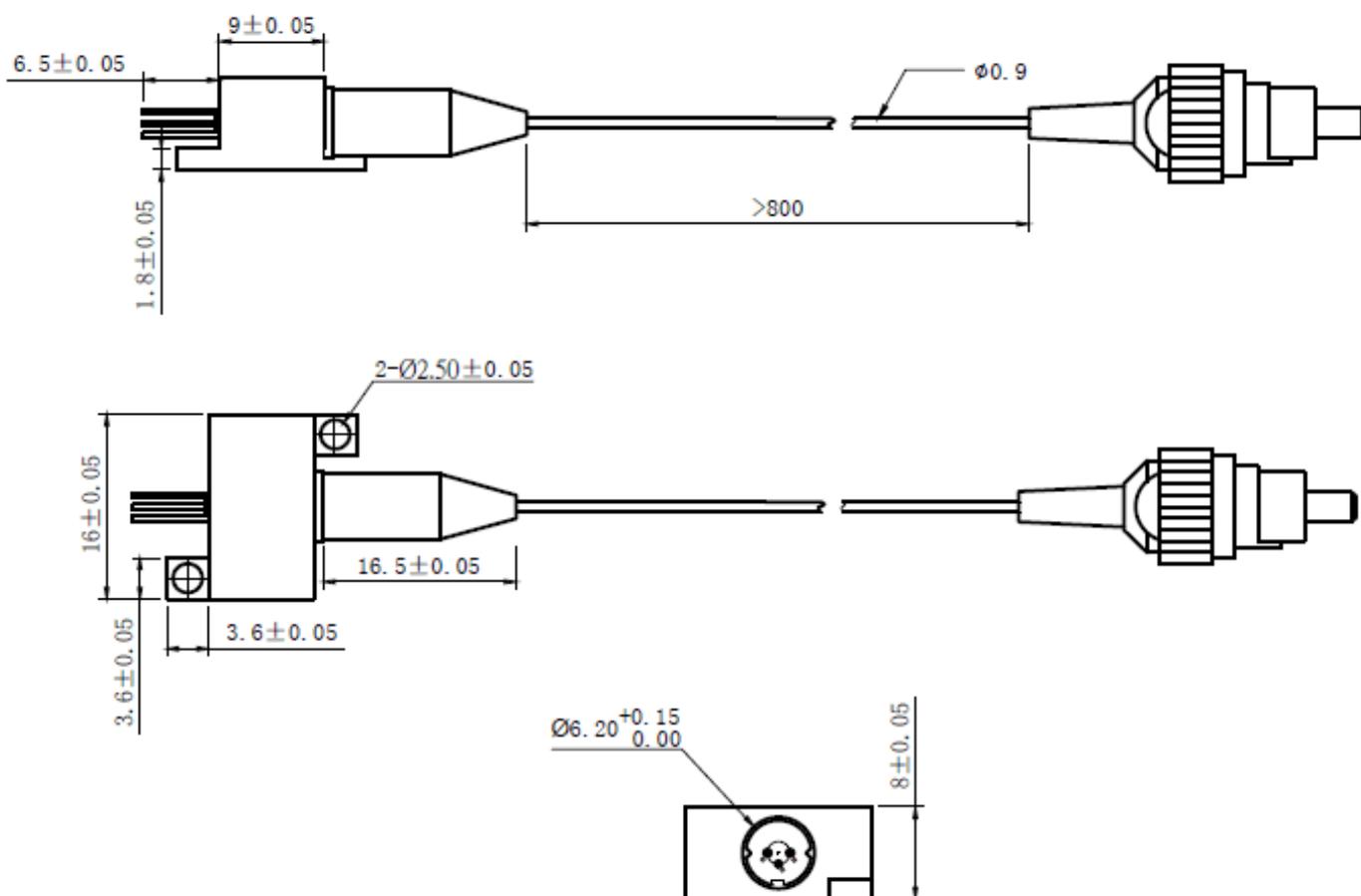
- Heat Sink for SPL type coaxial laser diodes
- Aluminium
- 16 x 16 x 8 mm
- Aperture diameter 6.2 mm



Description

Heat Sink SPL-Coax has been specifically designed for the **SPL type** fiber pigtailed laser diodes. It greatly increases the heat dissipation capabilities of the diode and helps to increase performance and life time. It is made from CNC cut **Aluminium** with an **aperture diameter of 6.2 mm** and comes with a grub screw to easily fixate the laser diode. For best performance it is advised to add thermal conductive paste between diode and heat sink, and to mount the heat sink on a metal foundation plate.

Outline



All dimensions in mm