

6

5

4

3




2

1

**MATERIAL AND FINISH:**

Insulator: Polycarbonate, UL-94V-0 rated  
Contacts: Brass, Nickel plated

**ELECTRICAL SPECIFICATIONS:**

Current rating: 10 A   
Voltage rating: 250 VAC  
Current rating: 15 A   
Voltage rating: 250 VAC 

**ORDERING CODE:**

42R03-2    2     
          1    2


**1) COLOR**

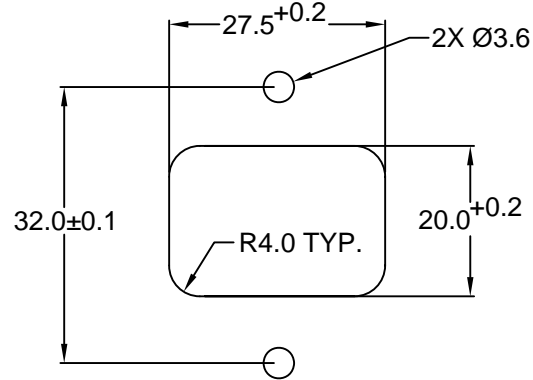
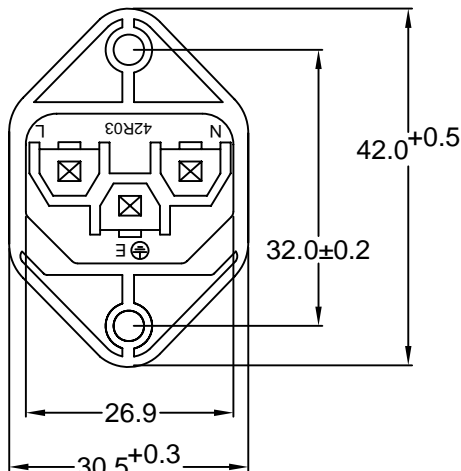
1 = BLACK  
2 = GRAY

**2) ELECTRICAL CIRCUIT CONFIGURATION**

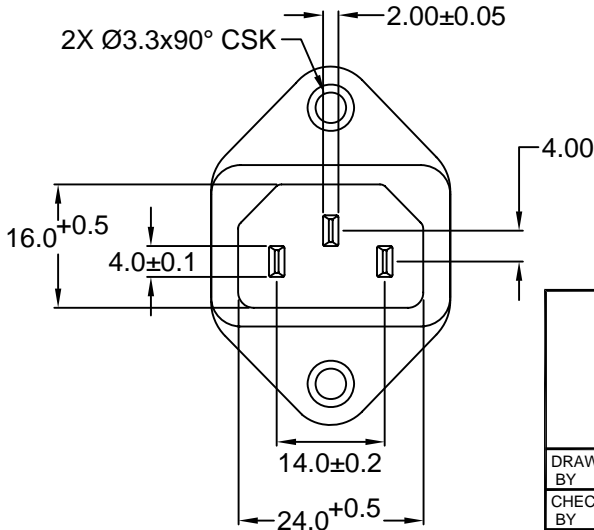
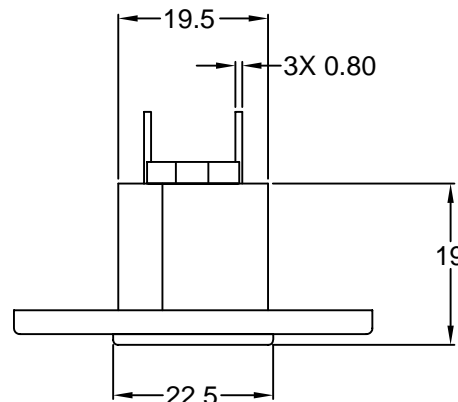
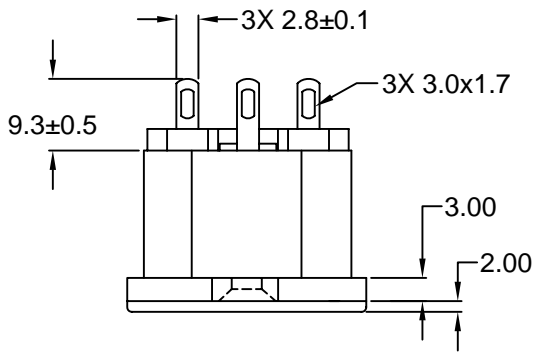
1 = 15A 250V 120°C   
2+GROUND

2 = 15A 250V 70°C   
2+GROUND

4 = 15A 250V 70°C   
2 POLE



RECOMMENDED  
PANEL CUTOUT



**RoHS  
COMPLIANT**

TOLERANCE UNLESS OTHERWISE SPECIFIED	
X	± 1
X.X	± 0.4
X.XX	± 0.20

**Power Dynamics, Inc.**  
Phone: 973 560-0019 Whippany, New Jersey Fax: 973 560-0076

PART: IEC 60320 C14 APPL. INLET; SOLDER  
TERMINALS; CROSS FLANGE

DRAWN BY	GQ	DATE:	08/16/01
CHECK BY	TD	DATE:	08/20/01
APPR BY	PB	DATE:	08/21/01

PART #: <b>42R03-2X2X</b>		SHEET
SIZE: A		1 of 1
SCALE: NTS	ALL DIMENSIONS FOR REFERENCE ONLY DIMENSIONS ARE IN MILLIMETERS	REV: A

D

C

B

A

REVISIONS		CHNG	CHK	APPR
REV	DATE	CHANGE	TERM. DIM.	PB
A	1/8/10			