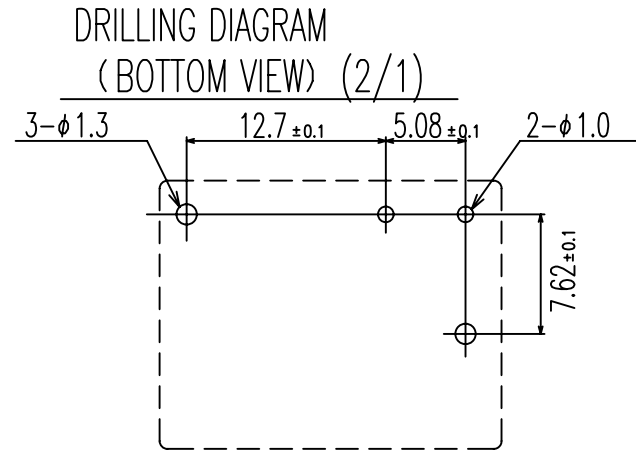
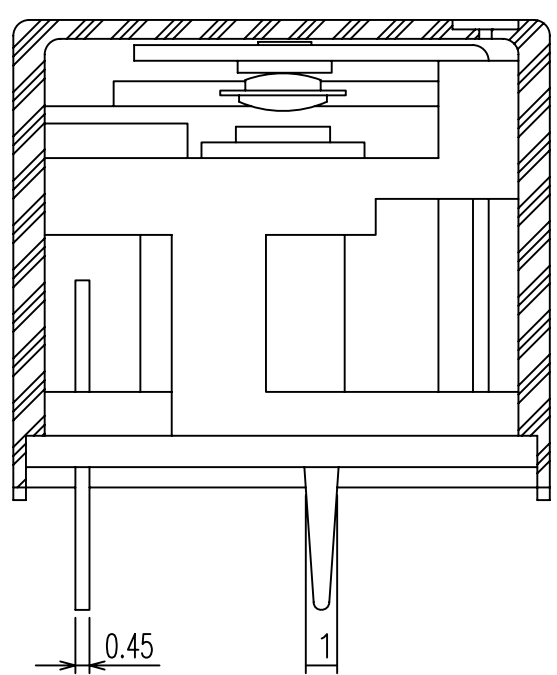
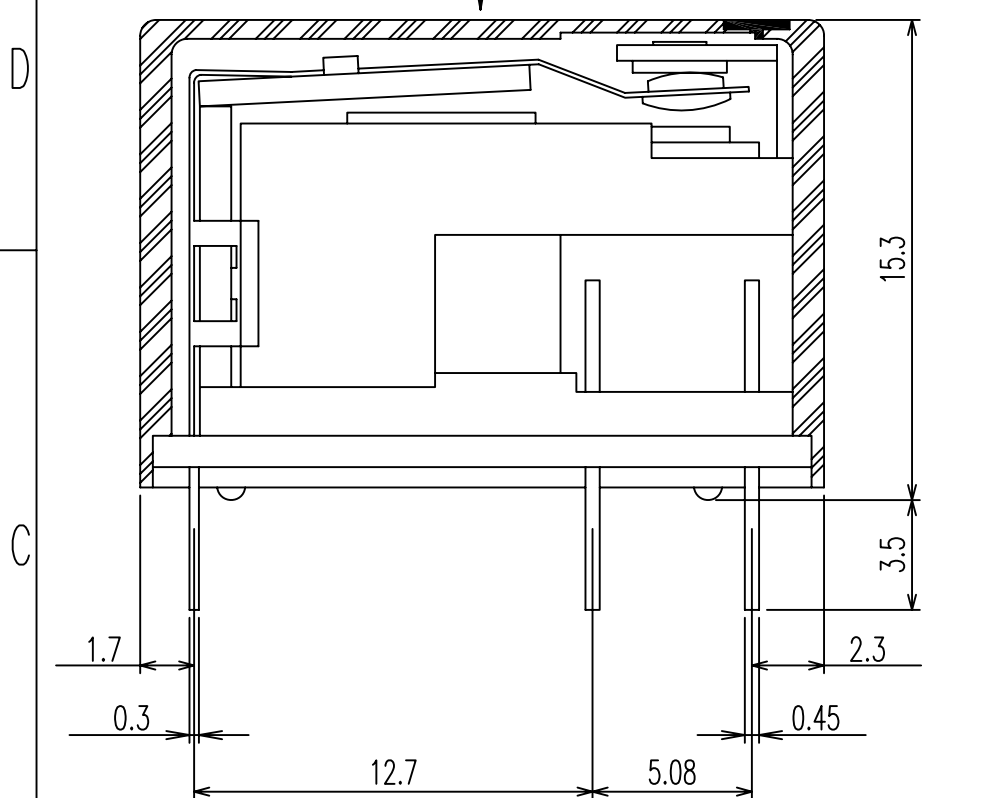


THIS DRAWING IS UNPUBLISHED. RELEASED FOR PUBLICATION  
 © COPYRIGHT BY TYCO ELECTRONICS CORPORATION. ALL RIGHTS RESERVED.

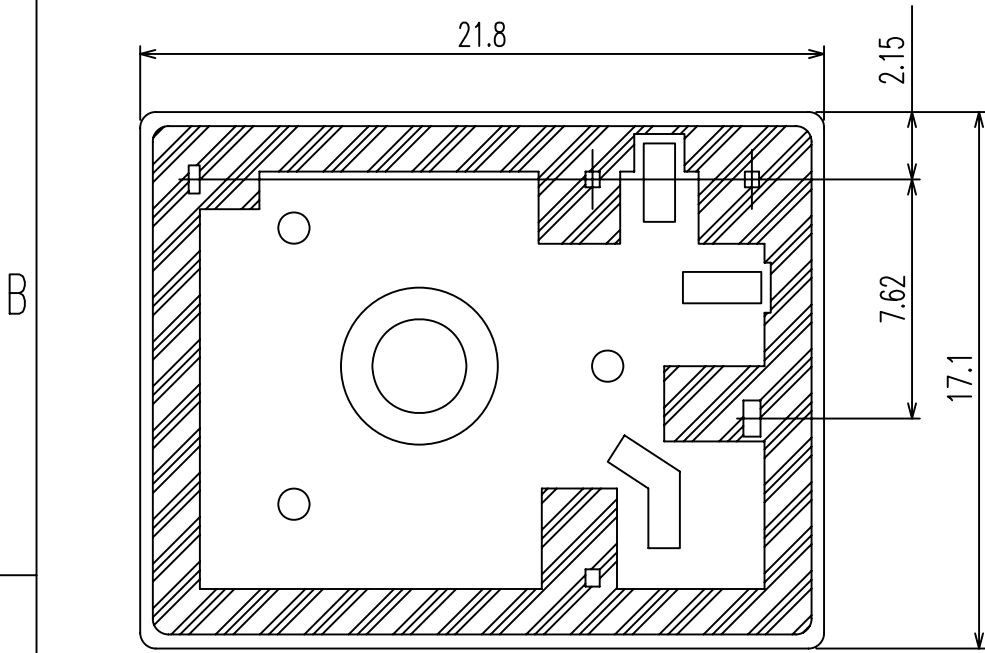
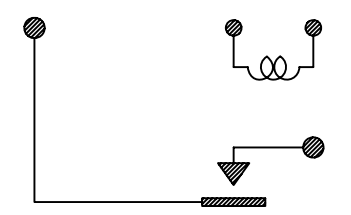
LOC HH DIST

REVISIONS

P	LTR	DESCRIPTION	ECN	DATE	DWN	APVD
A		ADD TYPE	ECO-06-007118	09-03-06	WJQ	AY
B		CHANGE MARKING&DATE CODE	ECO-07-026191	20-FEB-08	SZ,Z	BH.Y
C		CHANGE TE LOGO	ECO-08-020473	29-AUG-08	Z,Z	BH.Y

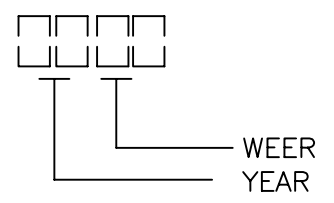


CONNECTION DIAGRAM (BOTTOM VIEW)



**OU DH - SS - 112 DM**
  
 10A 120V ~ / 28V =
   
 1/4HP 120V ~
   
 12V
   
 OEG
   
 LOT NO. ②

② LOT NO. SYSTEM AS FOLLOWING:



NOTES  
 -SS-: PLASTIC SEALD TYPE  
 -SH-: WASHABLE TYPE

GENERAL TOLERANCE

DIMENTION TOLERANCE	
≤ 1mm	±0.1
1 ~ 3mm	±0.2
> 3mm	±0.3

THIS DRAWING IS A CONTROLLED DOCUMENT FOR TYCO ELECTRONICS CORPORATION. IT IS SUBJECT TO CHANGE AND THE CONTROLLING ENGINEERING ORGANIZATION SHOULD BE CONTACTED FOR THE LATEST REVISION.		DWN	H.SASAKI	Tyco Electronics Tyco Electronics Corporation Shenzhen, China	
DIMENSIONS: mm		CHK	N.FUNAYAMA	NAME	
TOLERANCES UNLESS OTHERWISE SPECIFIED:		APVD	A.NAGAI	OU DH - DM SPEC,000 CUSTOMER DRAWING	
0 PLC ±		PRODUCT SPEC	-	SIZE	
1 PLC ±		APPLICATION SPEC	-	CAGE CODE	DRAWING NO
2 PLC ±		WEIGHT	-	00779	1461249-3
3 PLC ±		CUSTOMER DRAWING		RESTRICTED TO	-
4 PLC ±		SCALE 4:1		SHEET 1 OF 2	REV C
ANGLES ±					
FINISH 仕上					


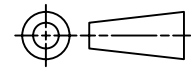
THIS DRAWING IS UNPUBLISHED. RELEASED FOR PUBLICATION  
 © COPYRIGHT BY TYCO ELECTRONICS CORPORATION. ALL RIGHTS RESERVED.

LOC HH	DIST	REVISIONS						
		P	LTR	DESCRIPTION	ECN	DATE	DWN	APVD

Ⓐ	24V	0UDH-SH-124DM	0-1461249-5	l
Ⓐ	6V	0UDH-SS-106DM	1461249-7	k
Ⓐ	5V	0UDH-SH-105DM	1461249-2	j
Ⓐ	5V	0UDH-SS-105DM	1461249-6	i
	48V	0UDH-SS-148DM	9-1419129-0	h
	24V	0UDH-SS-124DM	8-1419129-7	g
	12V	0UDH-SS-112DM	8-1419129-2	f
	48V	0UDH-SH-148DM	7-1419145-9	e
	9V	0UDH-SS-109DM	7-1419129-8	d
	12V	0UDH-SH-112DM	7-1419129-3	c
	9V	0UDH-SH-109DM	1440002-3	b
	6V	0UDH-SH-106DM	1461249-3	a
	PART B	PART A	TE PART NO.	ITEM

RELAY TYPE

		UV RESIN	UV SEAL(FOR SH ONLY)	15
		EPOXY RESIN	SEAL	14
UL94 V-0		PBT	BOBBIN	13
UL94 V-0		PBT	CASE	12
UL94 V-0		PBT	BASE	11
		UEW	MAGNETIC WIRE	10
	SOLDER DIP	CP WIRE	COIL TERMINAL	9
		Ag ALLOY	STATIONARY CONTACT	8
		Ag ALLOY	MOVABLE CONTACT	7
	SOLDER DIP	Cu ALLOY	NC TERMINAL	6
	SOLDER DIP	Cu ALLOY	NO TERMINAL	5
	SOLDER DIP	Cu ALLOY	MOVABLE SPRING	4
		STEEL	CORE	3
		STEEL	ARMATURE	2
		STEEL	YOKE	1
INCOMBUSTIBILITY	TREATMENT	MATERIAL	DESCRIPTION	ITEM

THIS DRAWING IS A CONTROLLED DOCUMENT FOR TYCO ELECTRONICS CORPORATION IT IS SUBJECT TO CHANGE AND THE CONTROLLING ENGINEERING ORGANIZATION SHOULD BE CONTACTED FOR THE LATEST REVISION.		DWN	 Tyco Electronics Corporation Shenzhen, China		
DIMENSIONS: mm		CHK			
		APVD	NAME 0UDH-DM CUSTOMER DRAWING		
TOLERANCES UNLESS OTHERWISE SPECIFIED: 0 PLC ± 1 PLC ± 2 PLC ± 3 PLC ± 4 PLC ± ANGLES ±		PRODUCT SPEC	DRAWING NO 1461249-3		
MATERIAL		APPLICATION SPEC	SIZE A3	CAGE CODE 00779	RESTRICTED TO -
FINISH		WEIGHT	SCALE 4:1 SHEET 2 OF 2 REV C		
		CUSTOMER DRAWING			