

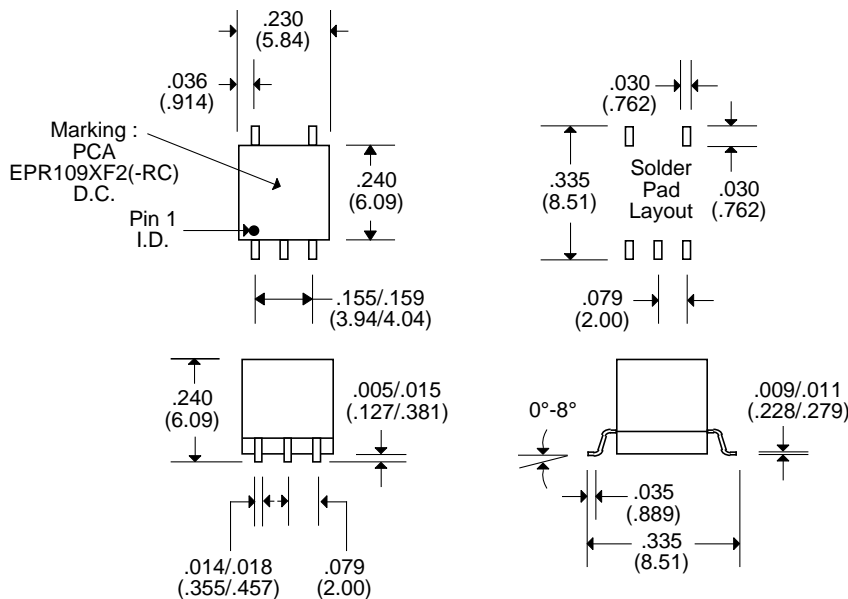
EPR1090F2 to EPR1094F2 & EPR1090F2-RC to EPR1094F2-RC

- Surface Mount in small (SOIC) package
- Optimized for Leading Transceiver I.C.'s
- Add "-RC" after part number for RoHS Compliant
- Robust construction allows IR / VP reflow processes
- Operating temperature range : -40°C to +85°C
- 1500 Vrms Isolation

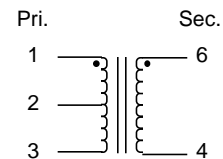
Electrical Parameters @ 25°C

Part Number	Turns Ratio (± 2%)	Pri. OCL (mH Min.)	Cw/w (pF Max.)	LI (µH Max.)	Pri. DCR (Max.)	Sec. DCR (Max.)	Return Loss (dB Typ.)
	Pri.:Sec.	@ 10 KHz, 0.1 Vrms	Pri. to Sec.	Pins 1-3 w/ 6-4 shorted	Pins 1-3	Pins 6-4	.05 to 10 MHz
EPR1090F2(-RC)	1.35CT:1	2	50	1.0	2.6	2.6	-20
EPR1091F2(-RC)	1.14CT:1	2	50	1.3	2.8	2.5	-20
EPR1092F2(-RC)	1CT:1	2	50	1.2	2.7	1.9	-20
EPR1094F2(-RC)	1.26CT:1	2	50	1.0	2.5	2.0	-20

Package



Schematics



Notes :	EPR109XF2	EPR109XF2-RC
1. Lead Finish	SnPb	Matte Tin
2. Peak Temperature Rating	225°C	260°C
3. Moisture Sensitive Levels	MSL = 3 (168 Hours, 30°C/60%RH)	MSL = 4 (72 Hours, 30°C/60%RH)
4. Weight	TBD grams	TBD grams
5. Packaging Information (*Add "TR" to end of part number when placing order)	(Tube) TBD pieces/tube (Tape & Reel) TBD pieces/13" reel (*EPR109XF2-TR)	TBD pieces/tube TBD pieces/13" reel (*EPR109XF2-RCTR)

Unless Otherwise Specified Dimensions are in Inches /mm ± .010 / .25