

CTGS73F Series

From 10 μH to 330 μH



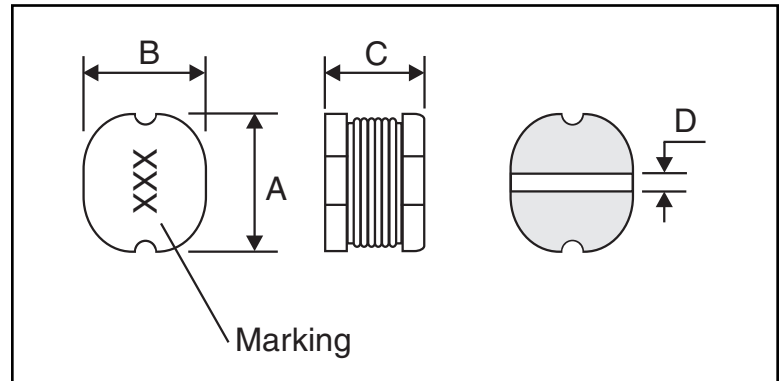
SPECIFICATIONS

Parts specify tolerance code when ordering.
 CTGS73F-100 ← K = $\pm 10\%$, L = $\pm 15\%$, M = $\pm 20\%$ & N = $\pm 30\%$

Part Number	Inductance (μH)	L Test Freq. (Hz)	DCR Max. (Ω)	Rated DC (A)
CTGS73F-100_	10	2.52M	0.08	1.44
CTGS73F-120_	12	2.52M	0.09	1.39
CTGS73F-150_	15	2.52M	0.10	1.24
CTGS73F-180_	18	2.52M	0.11	1.12
CTGS73F-220_	22	2.52M	0.13	1.07
CTGS73F-270_	27	2.52M	0.15	0.94
CTGS73F-330_	33	2.52M	0.17	0.85
CTGS73F-390_	39	2.52M	0.22	0.74
CTGS73F-470_	47	2.52M	0.25	0.68
CTGS73F-560_	56	2.52M	0.28	0.64
CTGS73F-680_	68	2.52M	0.33	0.59
CTGS73F-820_	82	2.52M	0.41	0.54
CTGS73F-101_	100	1.00k	0.48	0.51
CTGS73F-121_	120	1.00k	0.54	0.49
CTGS73F-151_	150	1.00k	0.75	0.40
CTGS73F-181_	180	1.00k	1.02	0.36
CTGS73F-221_	220	1.00k	1.20	0.31
CTGS73F-271_	270	1.00k	1.31	0.29
CTGS73F-331_	330	1.00k	1.50	0.28

PHYSICAL DIMENSIONS

Size	A	B	C	D Typ.
mm	7.8 \pm 0.30	7.0 \pm 0.30	3.5 \pm 0.30	2.1
inches	0.307 \pm 0.012	0.276 \pm 0.012	0.138 \pm 0.012	0.083



CHARACTERISTICS

- Description:** SMD power inductor.
- Applications:** VTR power supplies, OA equipment, LCD televisions, PC notebooks, portable communication equipment, DC/DC converters.
- Operating Temperature:** -30°C to +100°C
- Inductance Tolerance:** $\pm 10\%$, $\pm 15\%$, $\pm 20\%$ & $\pm 30\%$
- Testing:** Inductance is tested on an HP4285A at specified frequency.
- Packaging:** Tape & Reel.
- Marking:** Marked with inductance code.
- Permissible Current:** The value of current when the inductance is 10% lower than its initial value at D.C. superposition or D.C. current when at $\Delta T = 40^\circ\text{C}$ whichever is lower.
- Miscellaneous:** RoHS Compliant.
- Additional Information:** Additional electrical & physical information available upon request.
- Samples available. See website for ordering information.**

PAD LAYOUT

