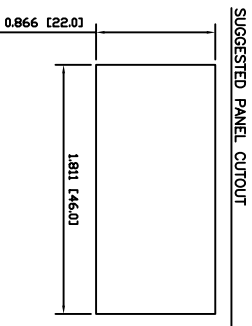
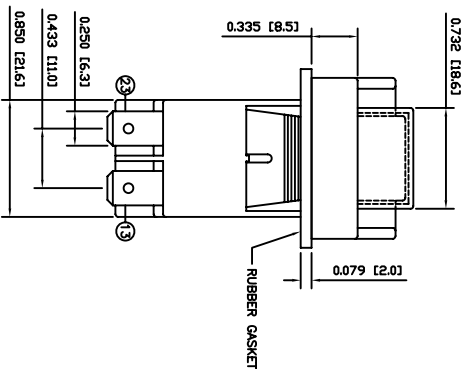
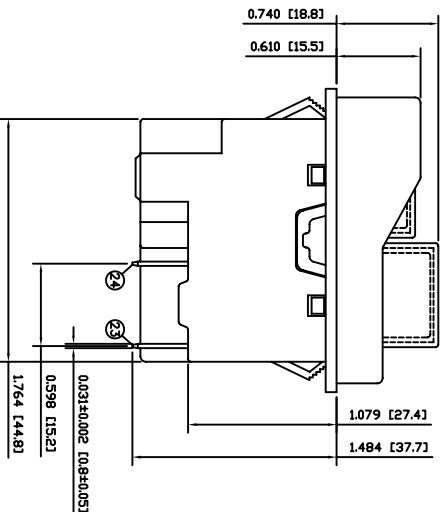
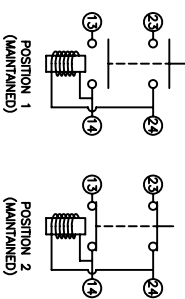


POSITION 2    POSITION 1



**SCHEMATIC**



**SPECIFICATIONS**

**FUNCTION:**  
2PT OFF-ON  
Auto Off Below Calibration Voltage

**RATINGS:**  
ANSI/UL 508 and CAN/CSA 222.2 No.14 (E195908):  
16A 220-240VAC [cUrms]  
2HP 220-240VAC (12A FLA, 72A IRL) [cUrms]

**CALIBRATION VOLTAGE:**  
Use: 240V 50Hz  
Release: 130-170V

**ELECTRICAL LIFE:**  
6,000 Cycles [cUrms]

**INGRESS PROTECTION:**  
IP55

APPROVALS:  
**ROHS**  
COMPLIANT

**COLORS AND MARKINGS**

**BEZEL:**  
Black

**ACTUATOR:**  
ON: Green  
OFF: Red

**MARKING:**  
I/O Vertical (1)

**MARKING COLOR:**  
White

**MATERIALS**

**UPPER BODY:**  
Polymide 6/6 (PA66)

**LOWER BODY:**  
Polymide 6/6 (PA66+G10)

**BEZEL:**  
Polymide 6/6 (PA66+G10)

**ACTUATORS:**  
Polymide 6/6 (PA66)

**MOUNTING EARS:**  
Polymide 6/6 (PA66)

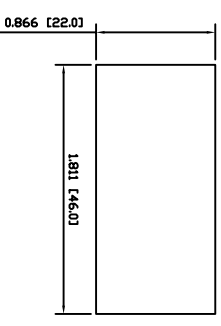
**COVER:**  
Polyvinyl Chloride (PVC)

**CONTACTS:**  
Silver Alloy Clad Copper (AgSnO/Cu)

**TERMINALS:**  
Brass

**GASKET:**  
Rubber

**SUGGESTED PANEL CUTOUT**



REV.	DATE	BY	CHK
A	09/08/07	CAB	
A	09/08/07	CAB	
A	09/08/07	CAB	

1

2

3

4

5

6

7

8

REV.	DATE	DESCRIPTION
A	07/21/12	New Release

REV.	DATE	DESCRIPTION
A	07/21/12	New Release

REV.	DATE	DESCRIPTION
A	7-31-2012	REVISION

**E SWITCH**

**LAMB INDUSTRIES**

KJD17-21513-112