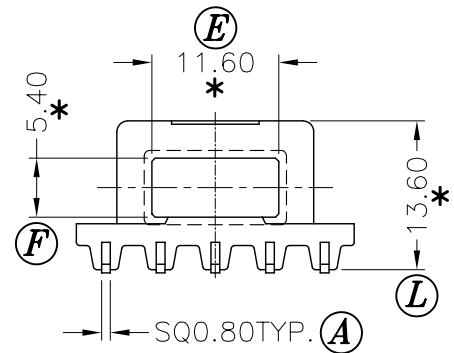
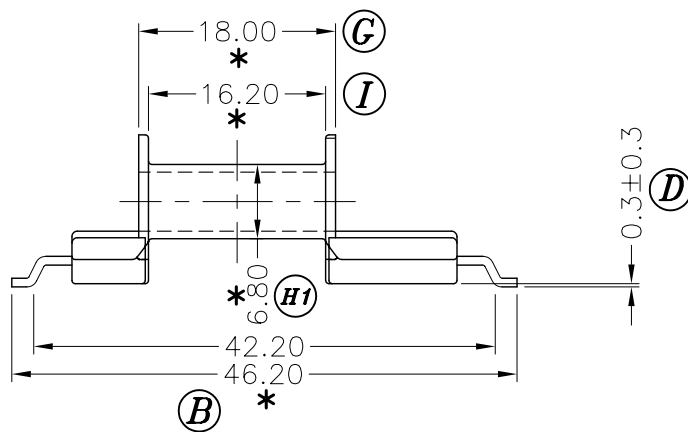
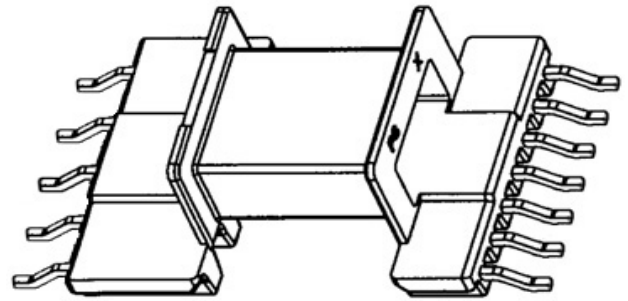
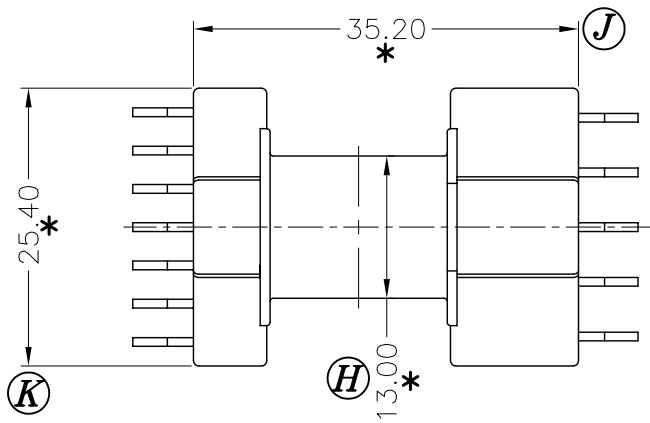
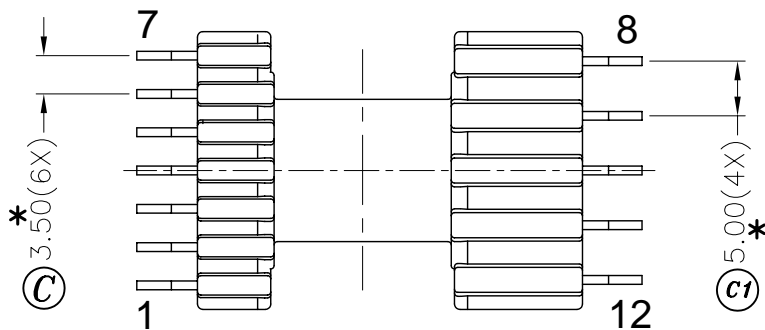


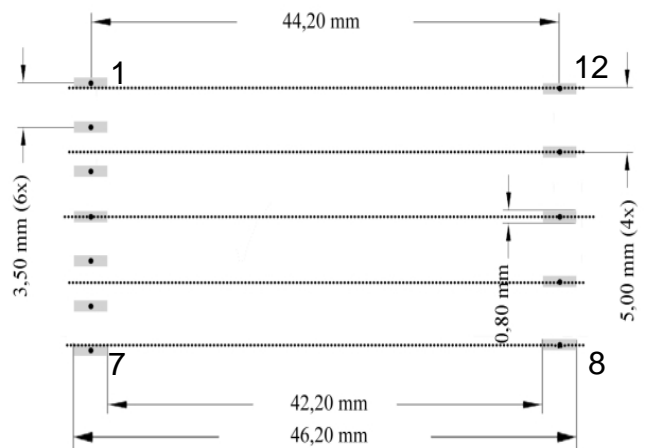
FERYSTER



Bottom view



Top view of PCB



BOBBIN MATERIAL: PHENOLIC PM9820
 PIN MATERIAL: CP WIRE
 UL REC. UL 94V-0

TOLERANCES	
0<L≤4 ±0.1	pin pitch ±0.2
4<L≤16 ±0.2	
16<L≤63 ±0.3	