

# KR Electronics, Inc.

## General Description

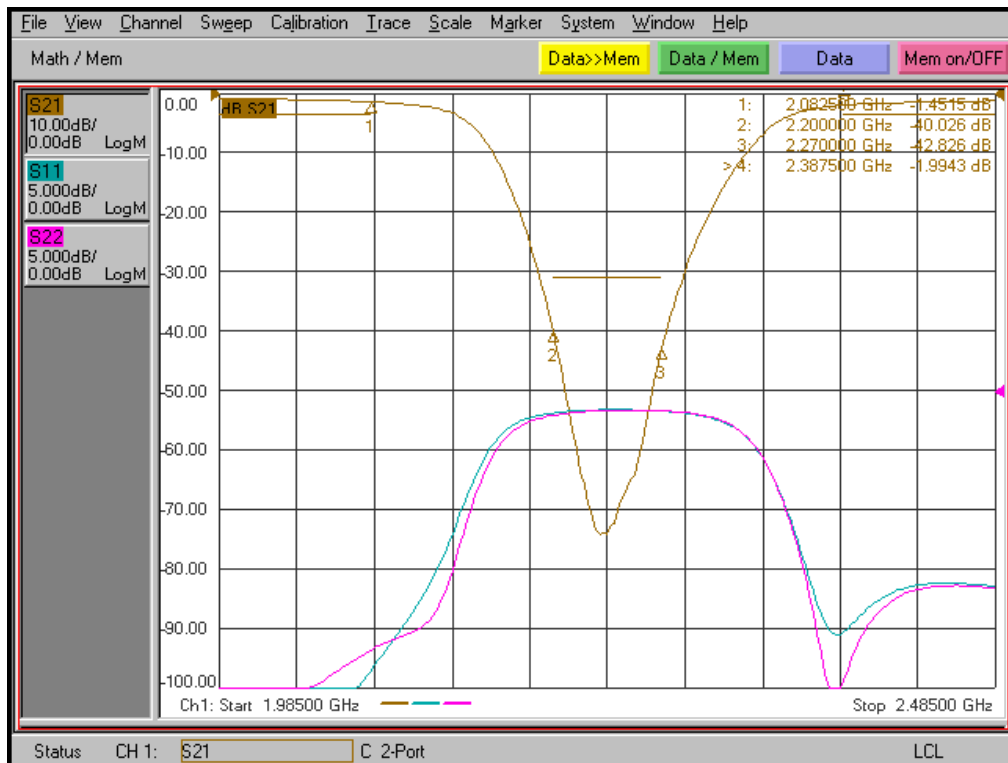
KR Electronics part number 3168-2235 is a 2235 MHz notch filter. The filter has a max 3 dB bandwidth of 305 MHz. Other center frequencies and bandwidths are available. Please consult the factory.

## Features

- 2235 MHz Notch Filter
- 305 MHz max 3 dB Bandwidth
- 50  $\Omega$  Source and Load
- SMA Connectors

## Typical Performance

### Overall Response (10 dB/div)

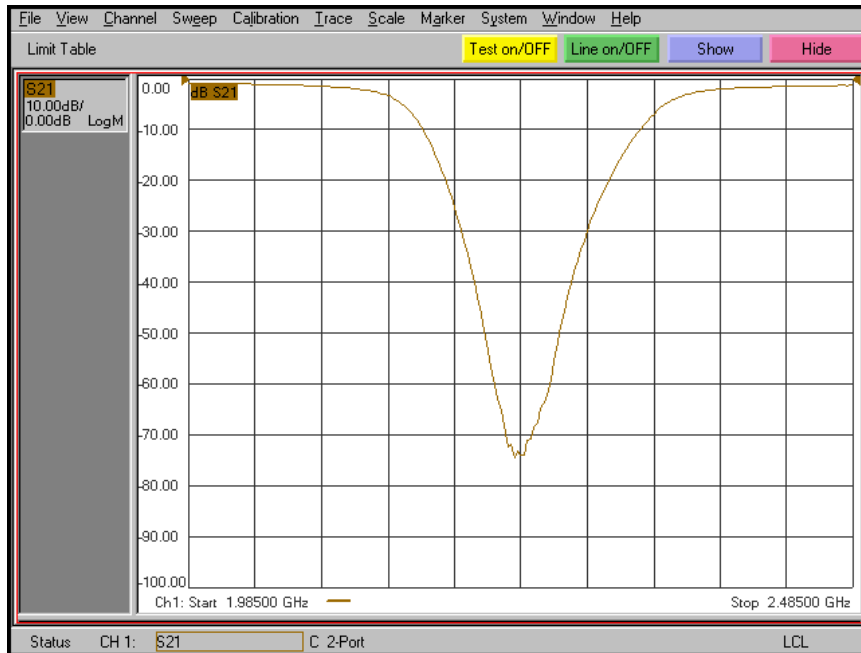


KR Electronics, Inc.  
91 Avenel Street  
Avenel, NJ 07001

Web [www.krfilters.com](http://www.krfilters.com)  
Email [sales@krfilters.com](mailto:sales@krfilters.com)  
Phone (732) 636-1900  
Fax (732) 636-1982

## Typical Performance

### Notch Response (10 dB/div)



### Overall Response (1 dB/div)



KR Electronics, Inc.  
91 Avenel Street  
Avenel, NJ 07001

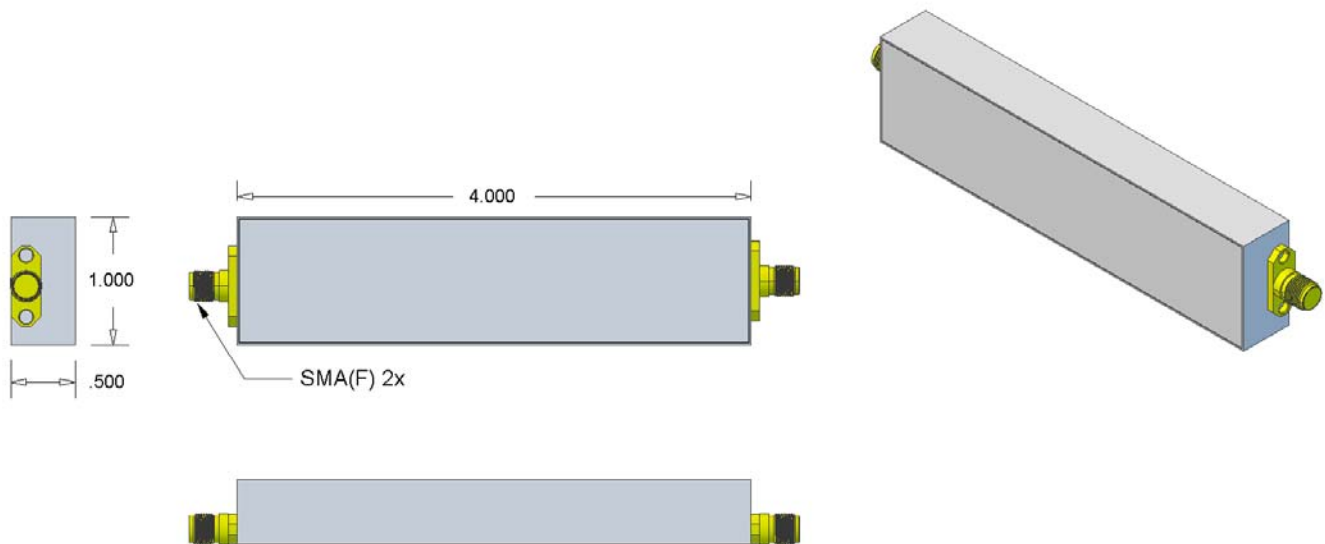
Web [www.krfilters.com](http://www.krfilters.com)  
Email [sales@krfilters.com](mailto:sales@krfilters.com)  
Phone (732) 636-1900  
Fax (732) 636-1982

# KR Electronics 3168-2235

## Specifications

Parameter	Specification	Notes
Filter type	Notch	
Notch Frequency	2235 MHz	
Insertion Loss at 1000 MHz	0.8 dBa typical	Passband Extends down to approx. 1420 MHz
Rejection at 2082.5 & 2387.5 MHz	3 dBc max	
Rejection 2200 to 2270 MHz	30 dBc min	
Source and Load	50 $\Omega$	

## Physical Dimensions



### Notes:

1. Dimensions in inches
2. Rectangular case

KR Electronics, Inc.  
91 Avenel Street  
Avenel, NJ 07001

Web [www.krfilters.com](http://www.krfilters.com)  
Email [sales@krfilters.com](mailto:sales@krfilters.com)  
Phone (732) 636-1900  
Fax (732) 636-1982