

GT-TC129X-H050-LX

G-SWITCH

Operating Force
 A=180gf
 B=250gf
 C=300gf

Switch Height
 H043=4.3mm
 H050=5.0mm

Switch lifetime (Force)
 L1=100,000 Cycles
 L3=300,000 Cycles
 L5=500,000 Cycles

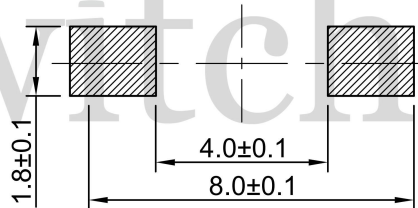
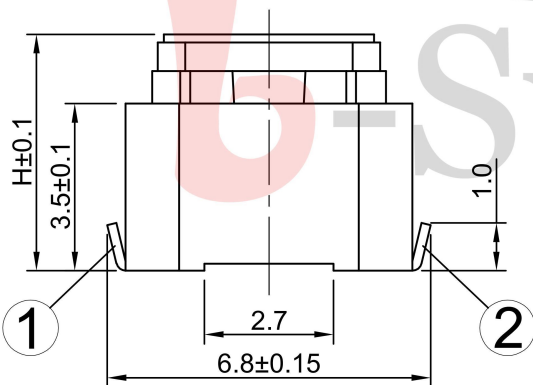
G-Switch Specification:

Operating temperature range: -40℃to+85℃
 Rating: 50mA.12V DC
 Insulation resistance: 100MΩ min.100V DC
 Dielectric strength: 250V AC for 1 min
 Contact resistance: 100m Ω max.
 Travel:1.3±0.1mm

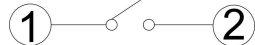
品赞科技



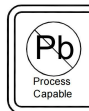
Switch



P.C.B LAND DIMENSION



CIRCUIT DIAGRAM



G-Switch Electronic (HongKong) CO.,Ltd.

Unless otherwise specified, Tolerance: X. ±0.30 X.x ±0.20 X.xx ±0.15 X.xxx ±0.10 Angles ±3°	DESIGN 陈锋枫	DATE 2019.05.29	Molde code:		
	CHECKED	DATE	GT-TC129X-HXXX-LX		
	APPROVED	DATE			
	http://www.dg-switch.com			REV.: X1	SCALE: 4:1
TEL:0769-82388879			SIZE: A4	SHEET: 1/1	