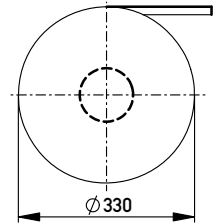
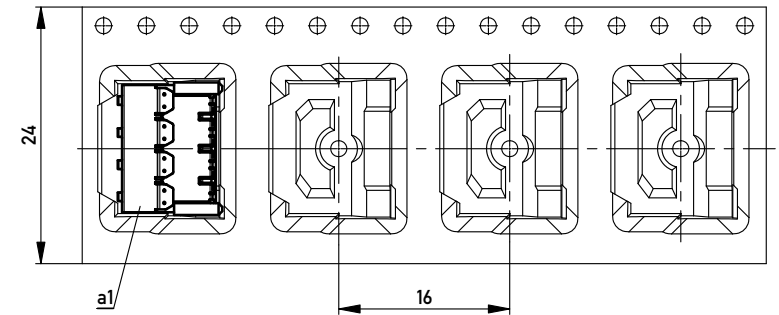


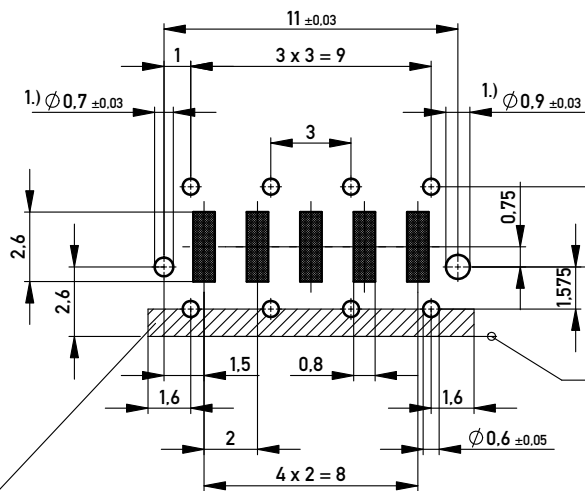
Verpackt in Gurtverpackung  
Tape on Reel Packaging  
Verpackungseinheit: 500 Stück  
Packaging unit: 500 pcs



Abspulrichtung - Reel off Direction



Leiterplatten-LAYOUT Vorschlag / PCB-Layout Proposal



1.) Durchmesser des Bohrers /  
Drill tool

Anforderungsstufe 1  
Performance Level 1

Kontaktbereich vergoldet  
Mating Area gold plating

Anschlussbereich verzinkt 4-6 µm  
Terminal Area 4-6 µm tin plating

Koplanarität der Anschlüsse ≤ 0,1 mm  
Coplanarity Area of Termination ≤ 0,1 mm

BlindMate SMD/THR

Schirmblechauflagefläche berücksichtigen,  
keine Durchkontaktierungen oder Leitungen möglich!  
Consider shielding contact area, no via's or traces possible!

Copyright by ERNI GmbH  
Proprietary notice pursuant to ISO 9006 to be observed.

|  |            |                      |  |   |     |
|--|------------|----------------------|--|---|-----|
| Information:   |            | Tolerances           |  | Scale   | 5:1 |
| All rights reserved.<br>Only for Information.<br>To ensure that this is the latest version of this drawing, please contact one of the ERNI companies before using. |            | All Dimensions in mm |  | Designation                                   |     |
| Subject to modification without prior notice.<br>Drawing will not be updated.  |            |                      |  | MSpeed Federl. 90° PM<br>MSpeed female 90° PM |     |
| www.ERNI.com   |            | 364708               |  | I<br>A3                                       |     |
| c  | 15.04.2013 | Class                |  | MSPEED  |     |
| Index  | Date       |                      |  |   |     |