

Product Information

SFP-20-W Series

100M SFP Modules



Features

- ❖ Single + 3.3 V power Supply
- ❖ Small Form Factor Pluggable MSA Compliant.
- ❖ PECL Differential Inputs and Output
- ❖ TTL Signal Detect Indicator.
- ❖ For Single Mode Applications
- ❖ Compliant with SONET / SDH Standard
- ❖ LC Duplex Connector
- ❖ Class 1 Laser International Safety Standard IEC 825 Compliant
- ❖ Industrial Operation Temp.: -40°C to +85 °C
- ❖ RoHS Compliant

HENRICHTM
Henrich Electronics Corporation

Main Office

Tel: 860-487-9869

Fax: 860-487-9478

www.henrich-inc.com

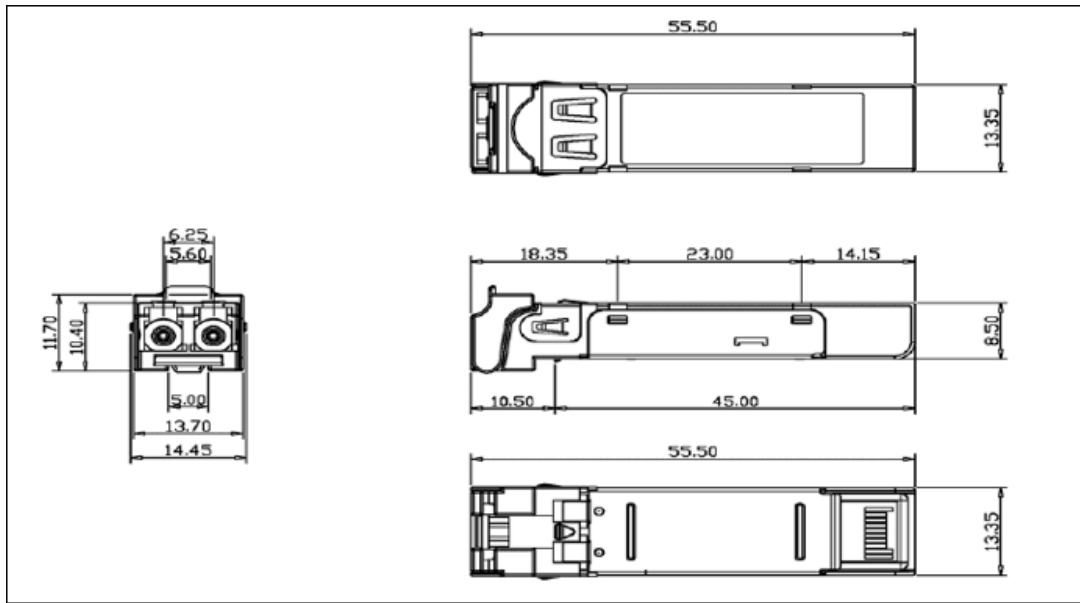
Introduction

The transceiver from Henrich is small form factor pluggable module with standard LC duplex connector for fiber communications. This module is designed for single mode fiber and operates at a nominal wavelength of 1310 nm with cost effective and high performance. It is with the SFP 20-pin connector to allow hot plug capability.

Specifications

Absolute Maximum Ratings	
Supply Voltage	0~5V
Storage Temperature	-40 to +85°C
Operating Temperature	0 to +70°C
Lead Soldering Limits	MAX: 260/10°C /sec
General Specifications	
Data Rate	50 to 200Mbps, Typ: 155Mbps
Supported Link Length on 9/125µm SMF	20Km
Supply Current	Max:100mA
Power Dissipation	300-1000mW
Transmitter Electrical Characteristics	
Supply Voltage	3.15 to 3.45V, type:3.3V
Data Differential Input Voltage	300 to 1600mV
Disable Input Voltage	-1.81 to -1.48V
Enable Input Voltage	-1.16 to -0.88V
POut@TX Disable Asserted	Max:-45dBm
Transmitter Optical Characteristics	
Output Optical Power on 9µm SMF :	-15 to -8dBm
Center Wavelength :	1280 to 1340nm, Type:1310
Spectral Width (RMS)	Type: 2nm
Optical Rise Time (20%-80%)	Max: 2ns
Optical Fall Time (20%-80%)	Max: 2ns
Extinction Ratio	Min: 8.2dB
Receiver Electrical Characteristics	
Supply Voltage	3.15 to 3.45V, type:3.3V
Data Differential Output Voltage	300 to 1000mV
Data Output Rise Time (20%-80%)	Max: 2ns
Data Output Fall Time (20%-80%)	Max: 2ns
Receiver Optical Characteristics	
Maximum Receiver Power	Min: -3dBm
Receiver Sensitivity	Type: -34dBm
Operating Wavelength	1100 to 1600nm
Signal Detect-Asserted	Max:- 34dBm avg.
Signal Detect-Deasserted	Min: -46dBm avg.
Signal Detect-Hysteresis	Min:0.5dB

Dimension drawings



Units:mm

Ordering Information

SFP-20-W	Single Mode Fiber Port with LC Connector, 20KM, Industrial Wide Temperature:-40°C to +75°C.
----------	---