

HGN-367A

FUSED WITH DISTANCE SWITCH, IEC 60320 POWER INLET SOCKET WITH FUSE/S (5X20MM)



FEATURES

The HGN-367A series line filters feature an IEC connector with an integral fuse holder and distance switch; available for one or two 5 x 20mm fuses. (IEC 601 prescribes fusing both lines.) Fully enclosed metal housing prevents input of high frequency noise and protects ultra-sensitive equipment. These filters are also available for Medical equipment with low leakage current.

A ground choke can be added to enhance the grounding ability of the circuit. A bleeder resistor can also be added to prevent excessive voltages from developing across the filter capacitors when there is no load.

APPLICATIONS

Computer & networking equipment, Measuring & control equipment, Data processing equipment, laboratory instruments, Switching power supplies, other electronic equipment.

TECHNICAL DATA

Filter

- Rated Voltage: 125/250VAC
- Rated Current: 1A, 2A, 3A, 4A, 6A, 8A, 10A
- Power Line Frequency: 50/60Hz
- Max. Leakage Current each

Line to Ground:

- @ 250VAC 50Hz: 0.5mA
- @ 250VAC 50Hz: 2 μ A*

- Hipot Rating (one minute)
Line to Ground: 2250VDC
Line to Line: 1450VDC

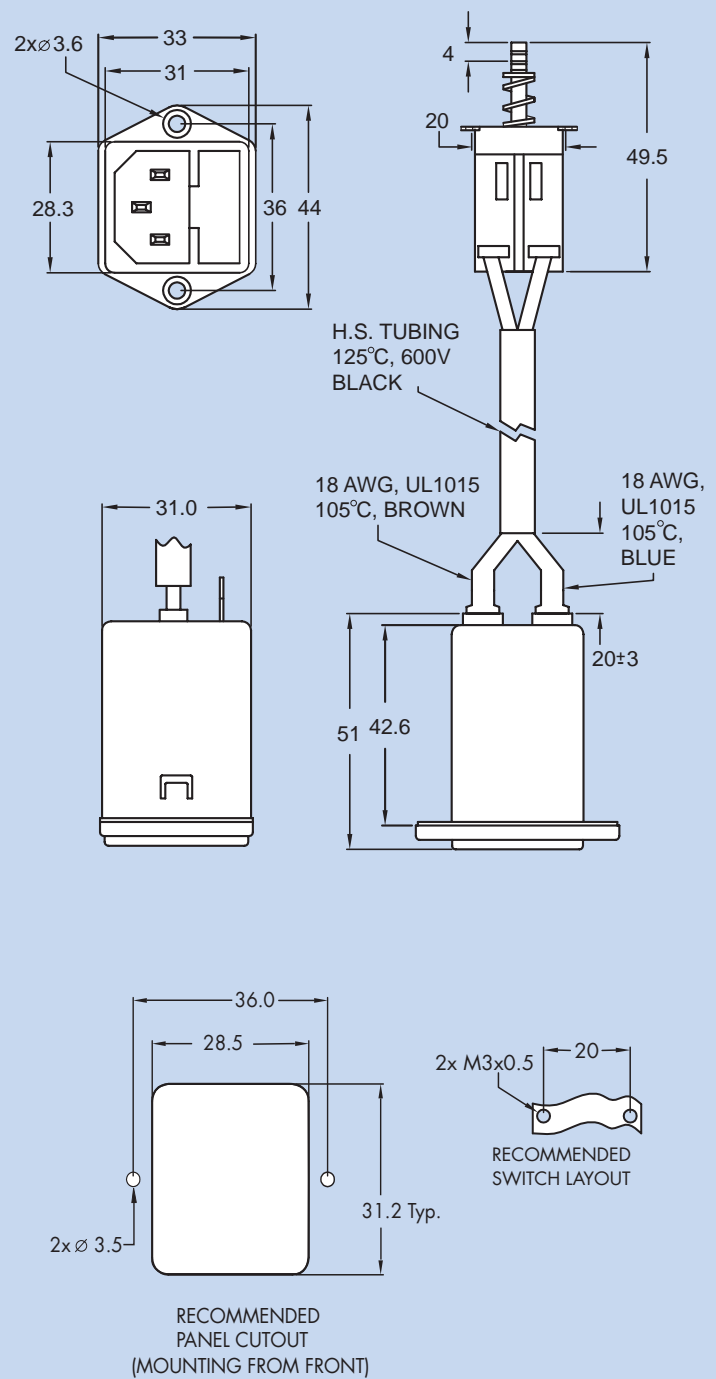
- Temperature Range: -25C to +85C

Switch

- Rated Voltage: 250VAC
- Rated Current: 8A
- Temperature Range: -10C to +60C
- SPST

* Medical application

MECHANICAL DIMENSIONS (Unit: mm)



Specifications subject to change without notice. Dimensions (mm). See Appendix A for recommended power cord. See PDI full line catalog for detailed specifications on power cords.

HGN-367A Series Example & Ordering Code

HGN-367A

01 Q - 1 5 - 1 A S

CURRENT RATING (A):

CE

= 01
= 02
= 03
= 04
= 06
= 08
= 10

TERMINAL:

6.3/0.25

QUICK CONNECT = Q
SOLDER = S

FUSE OPTION:

1 FUSE (5X20MM) = 1
2 FUSE (5X20MM) = 2*

OPTIONS:

NO BLEEDER RESISTOR & NO GROUND CHOKE = 0
BLEEDER RESISTOR (1/4 W, 1M) = 5
BLEEDER RESISTOR (1/2 W, 1M) = 6
BLEEDER RESISTOR (1/4 W, 1M) & GROUND CHOKE = 7
BLEEDER RESISTOR (1/2 W, 1M) & GROUND CHOKE = 8
GROUND CHOKE (100µH) = 9

COMPONENT LOCATIONS:

STANDARD TYPE = 1
WITH C(X) & C(Y) BEHIND L = 2*
WITHOUT C(X); C(Y) ONLY = 3*
WITHOUT C(Y); C(X) ONLY = 1M
WITHOUT C(Y); C(X) BEHIND L = 2M*

ATTENUATION CODE TABLE:

Non-Medical applications, select Attenuation code with corresponding component values from the table.

Cap C(x)	Cap C(y)	1A (mH)	2A (mH)	3A (mH)	4A (mH)	6A (mH)	8A (mH)	10A (mH)	
0.1µF	2200pF	6.5	3.8	2.5	1.6	0.8	1.05	0.2	= A
0.015µF	3300pF	1.9	1.5	1.1	0.8	0.6	*	0.3	= B
0.1µF	3300pF	3.7	2.7	1.8	1.3	0.8	1.05	0.3	= C
0.1µF	1000pF	10.5	4.2	2.5	1.7	1.05	*	0.3	= D
0.047µF	3300pF	4.6	3.4	2.5	1.4	0.9	*	0.3	= E
0.033µF	3300pF	9.5	4.3	1.8	1.2	0.85	*	0.3	= F
0.22µF	2200pF	6.5	4.0	2.5	2.0	0.85	1.05	0.3	= G
0.22µF	3300pF	6.5	4.0	2.5	2.0	0.85	1.05	0.3	= H
0.047µF	2200pF	10.5	4.0	1.2	0.9	0.53	*	0.3	= I
0.033µF	2200pF	5	3.7	1.8	1.1	0.6	*	0.2	= J
*	*	10.5	6.5	2.5	2.7	1.05	*	0.3	= K

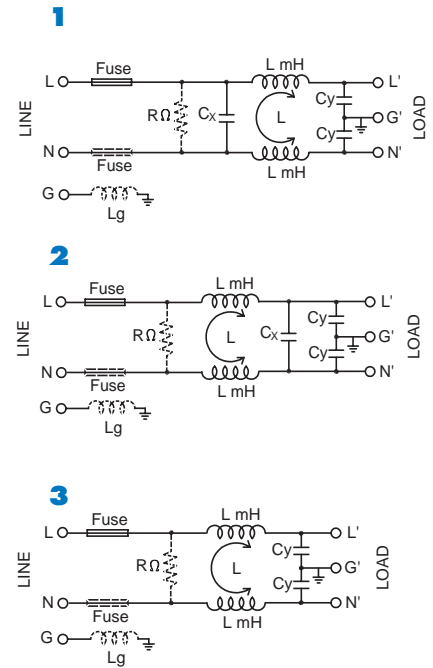
Medical applications, select Attenuation code with corresponding component values from the table.

Cap C(x)	1A (mH)	2A (mH)	3A (mH)	4A (mH)	6A (mH)	8A (mH)	10A (mH)	
0.1µF	6.5	3.8	2.5	1.6	0.8	1.05	0.2	= M1
0.015µF	1.9	1.5	1.1	0.8	0.6	*	0.3	= M2
0.1µF	3.7	2.7	1.8	1.3	*	*	0.3	= M3
0.1µF	*	4.2	*	1.7	*	*	*	= M4
0.047µF	4.6	3.4	2.5	1.4	6.0	*	0.3	= M5
0.033µF	9.5	4.3	1.8	1.2	0.85	*	0.3	= M6
0.22µF	6.5	4.0	2.5	2.0	0.8	1.05	0.3	= M7
0.047µF	10.5	4.0	1.2	0.9	0.53	*	*	= M8
0.033µF	5.0	3.7	*	1.1	0.6	*	0.2	= M9

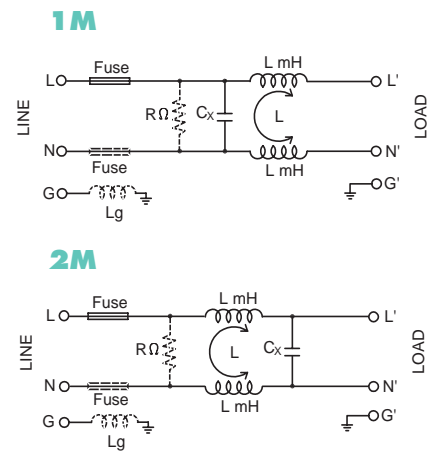
TYPE OF MOUNTING:

FLANGE MOUNT = BLANK
SNAP-IN TABS - TOP BOTTOM = T
SNAP-IN TABS - SIDE = S

SCHEMATICS



MEDICAL SCHEMATICS



*Contact PDI for attenuation numbers
*Flange mount only
*Contact PDI for availability