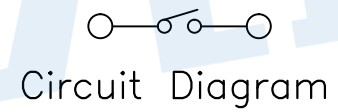
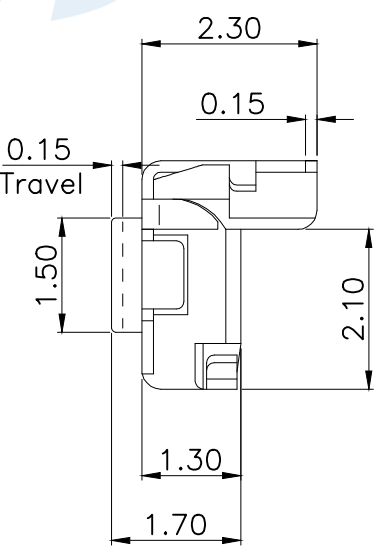
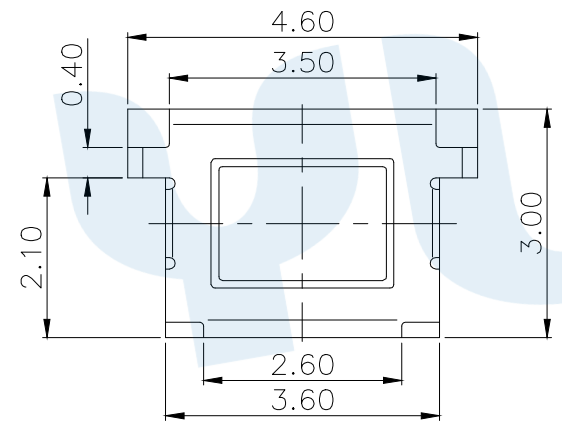
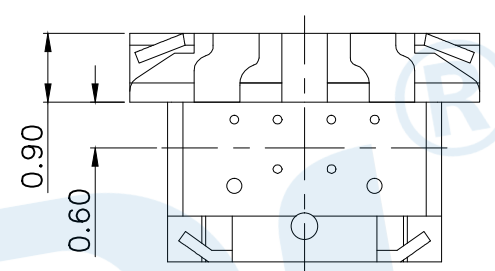
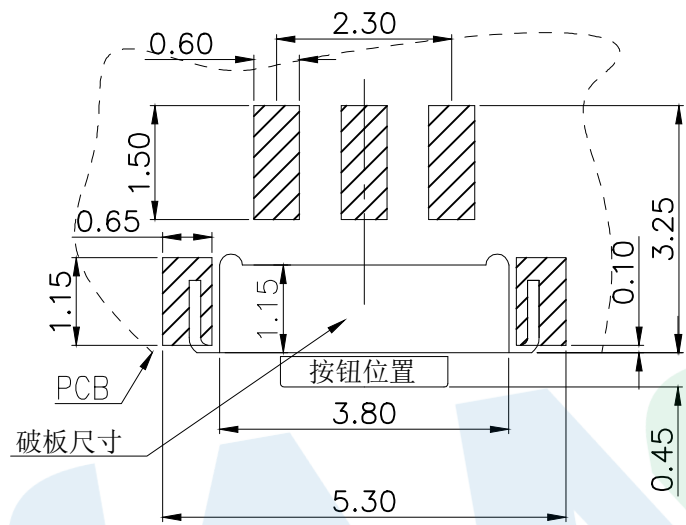
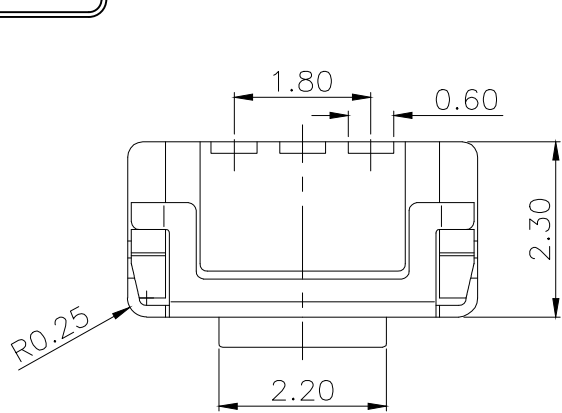


RoHS



| SHRAPNEL | |
|----------|--------------|
| CODE | MATERIAL/QTY |
| D2 | SUS/1PCS |
| D4 | SUS/2PCS |

| OPERATING FORCE | |
|-----------------|----------|
| CODE | VIGOR |
| B2 | 180±30gf |
| B3 | 250±30gf |

| NO. | Name | Number | Qty | Materil | Remarks |
|-----|-----------|--------|-----|-------------------|---------------|
| Ⓕ | Dust film | | 1 | Polyimide tape | |
| Ⓖ | Terminal | | 3 | Phosphorus bronze | Silvering |
| Ⓓ | Reed | | 2 | SUS | Silvering |
| Ⓒ | Base | | 1 | LCP | Black |
| Ⓑ | Cover | | 1 | SUS | Nickel plated |
| Ⓐ | Button | | 1 | LCP | Black |

YUANDI® Yuandi Electronics Co, Ltd
元典

| | | | | | | | | | | | | | | | |
|--|--|--|--|--|--|--------|--------|----------|-------------------------|------------|-----|------|--------------|-------------|----|
| | | | | | | angle | ±2' | | design | date | | name | TACT SWITCHS | | |
| | | | | | | 10~30 | ±0.30 | | Review | date | | | | | |
| | | | | | | 5~10 | ±0.20 | | Approved | date | | name | TS-1061-B□D□ | | |
| | | | | | | ~ 5 | ±0.10 | | Drawing number: | | | | | | |
| | | | | | | modify | Review | Approved | Tolerance not specified | Proportion | 1:1 | unit | mm | gape number | A4 |