

**PLEASE CHECK WWW.MOLEX.COM FOR LATEST PART INFORMATION**

**Part Number:** **0480372300**

**Status:** **Active**

**Description:** Universal Serial Bus (USB) Shielded I/O Plug, Type A, Right Angle, Surface Mount, Straight Tab 4.80mm (.189"), 0.76µm (30µ") Gold (Au) Plating, with Dummy Cap, PCB Thickness 1.20mm (.047"), Tape on Reel Package, Lead Free, Halogen Free

**Documents:**

[3D Model](#)

[Drawing \(PDF\)](#)

[Product Specification PS-48037-001 \(PDF\)](#)

[RoHS Certificate of Compliance \(PDF\)](#)

**General**

Product Family	I/O Connectors
Series	48037
Application	Wire-to-Board
Component Type	Plug
Product Name	USB
Type	A

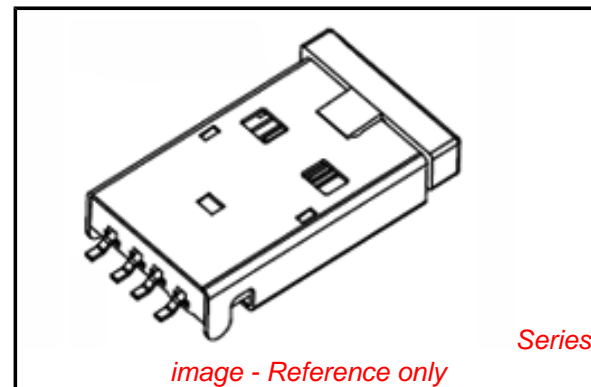
**Physical**

Boot Color	N/A
Circuits (Loaded)	4
Circuits (maximum)	4
Gender	Plug
Keying to Mating Part	Yes
Lock to Mating Part	Yes
Material - Plating Mating	Gold
Material - Plating Termination	Tin
Number of Rows	1
Orientation	Right Angle
PCB Locator	Yes
PCB Retention	Yes
PCB Thickness Recommended (in)	0.047 In
PCB Thickness Recommended (mm)	1.20 mm
Packaging Type	Embossed Tape on Reel
Panel Mount	Yes
Pitch - Mating Interface (in)	0.078 In, 0.098 In
Pitch - Mating Interface (mm)	2.00 mm, 2.50 mm
Pitch - Term. Interface (in)	0.078 In, 0.098 In
Pitch - Term. Interface (mm)	2.00 mm, 2.50 mm
Plating min: Mating (µin)	30
Plating min: Mating (µm)	0.76
Polarized to Mating Part	Yes
Polarized to PCB	Yes
Ports	1
Surface Mount Compatible (SMC)	Yes
Temperature Range - Operating	-20°C to +85°C
Termination Interface: Style	Surface Mount
Waterproof / Dustproof	No

**Electrical**

Current - Maximum per Contact	1.5A
Shield Type	Full Shield
Shielded	Yes
Voltage - Maximum	150V AC (RMS)

**Solder Process Data**



*image - Reference only*

**EU RoHS**

**ELV and RoHS  
Compliant**

**REACH SVHC**

**Contains SVHC: No**

**Halogen-Free**

**Status**

**Halogen-Free**

**Need more information on product  
environmental compliance?**

Email [productcompliance@molex.com](mailto:productcompliance@molex.com)  
For a multiple part number RoHS Certificate of  
Compliance, [click here](#)

Please visit the [Contact Us](#) section for any  
non-product compliance questions.

**China RoHS**



**Search Parts in this Series**

48037Series

**Mates With**

USB Type A Receptacle

Duration at Max. Process Temperature (seconds)	10
Lead-free Process Capability	Reflow Capable (SMT only)
Max. Cycles at Max. Process Temperature	1
Process Temperature max. C	260

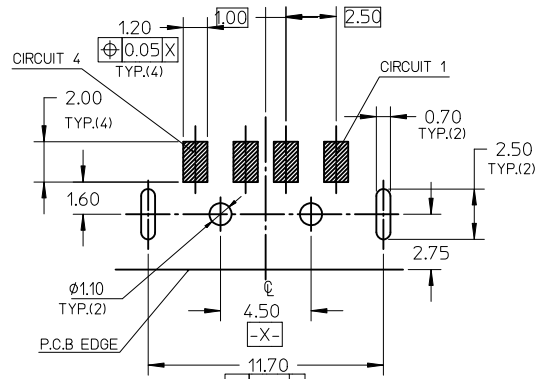
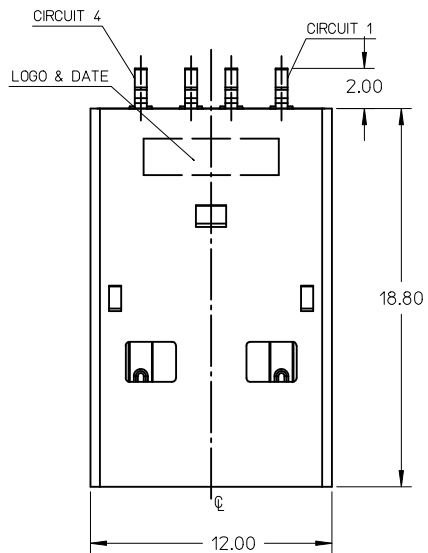
### **Material Info**

### **Reference - Drawing Numbers**

Packaging Specification	PK-48037-006
Product Specification	PS-48037-001
Sales Drawing	SD-48037-006
Test Summary	TS-48037-001

This document was generated on 06/01/2010

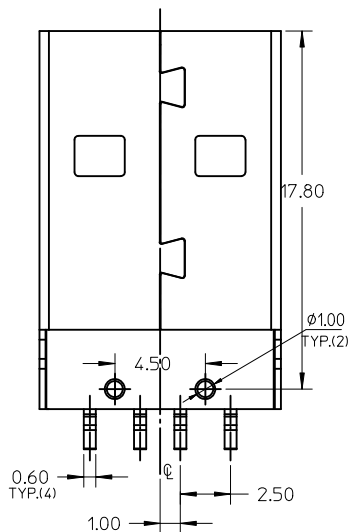
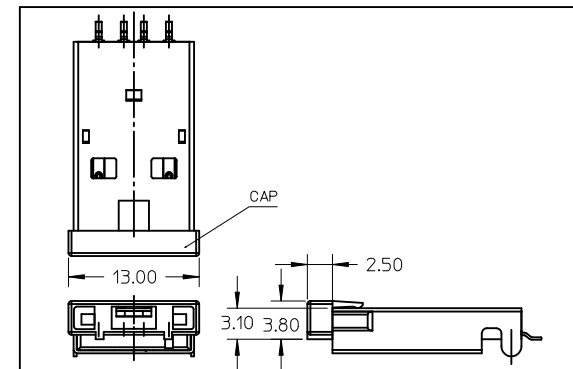
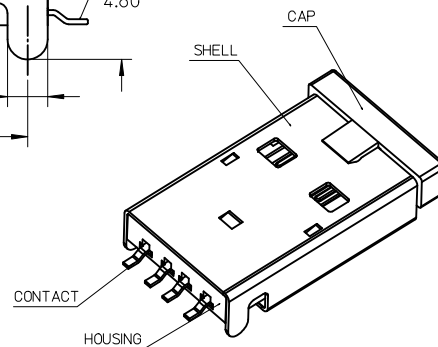
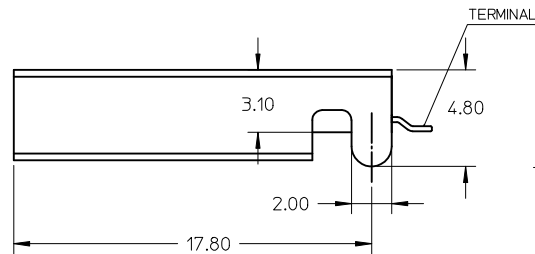
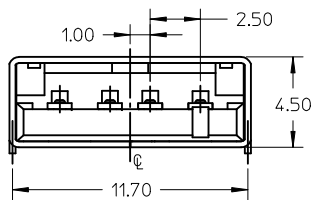
**PLEASE CHECK [WWW.MOLEX.COM](http://WWW.MOLEX.COM) FOR LATEST PART INFORMATION**



RECOMMENDED PCB LAYOUT  
GENERAL TOLERANCE: ±0.05

NOTES:

- MATERIAL:  
HOUSING: THERMOPLASTIC, GLASS FIBER FILLED, HALOGEN FREE, UL94V-0, COLOR:BLACK.  
CAP: THERMOPLASTIC, GLASS FIBER FILLED, HALOGEN FREE, UL94V-0, COLOR:BLACK.  
CONTACT: BRASS  
SHELL: SPCC
- FINISH:  
CONTACT:  
SELECTIVE GOLD(Au) IN CONTACT AREA  
THICKNESS=30 MICROINCH MINIMUM.  
SELECTIVE TIN(Sn) ALLOY IN SOLDER TAIL AREA  
THICKNESS=100 MICROINCH MINIMUM.  
NICKEL(Ni) OVERALL  
THICKNESS=30 MICROINCH MINIMUM.  
METAL SHELL:  
NICKEL(Ni) OVERALL  
THICKNESS=50 MICROINCH MINIMUM.  
UNDER PLATED: COPPER(Cu), OVERALL  
THICKNESS=50 MICROINCH MINIMUM.
- RECOMMENDED PCB THICKNESS: 1.20mm
- PRODUCT SPECIFICATION REFERS TO PS-48037-001
- PACKAGE SPECIFICATION: REFERS TO PK-48037-006
- TEST SUMMARY REFERS TO TS-48037-001
- DATE CODE:  
X X X X X  
YEAR WEEK DAY



RELEASE EC NO: SH2010-0216 DRWN: FANGUOS CHYD: HHE APPR: RZHANG	2009/12/09 2009/12/09 2009/12/10	DESCRIPTION REV	QUALITY SYMBOLS $\nabla_F = 0$ $\nabla_F = 0$ $\nabla_F = 0$	GENERAL TOLERANCES (UNLESS SPECIFIED)		DIMENSION STYLE		SCALE	DESIGN UNITS	THIRD ANGLE PROJECTION				
						MM ONLY		2:1	METRIC					
						mm	INCH	DRAWN BY		DATE	TITLE			
						4 PLACES	± ---	± ---	LHP LIU	2009/08/14	USB A TYPE PLUG R/A CONNECTOR(SMT) WITH DUMMY CAP			
		3 PLACES	± ---	± ---	CHECKED BY	DATE	MOLEX INCORPORATED DOCUMENT NO. SD-48037-006 SHEET NO. 1 OF 1							
		2 PLACES	± 0.25	± ---	FRANKLY YANG	2009/08/14								
		1 PLACE	± 0.25	± ---	APPROVED BY	DATE	THIS DRAWING CONTAINS INFORMATION THAT IS PROPRIETARY TO MOLEX INCORPORATED AND SHOULD NOT BE USED WITHOUT WRITTEN PERMISSION							
		ANGULAR ± 3 °		ROST ZHANG		2009/08/14								
		DRAFT WHERE APPLICABLE MUST REMAIN WITHIN DIMENSIONS		MATERIAL NO.		48037-2300								
				SIZE		A3								