

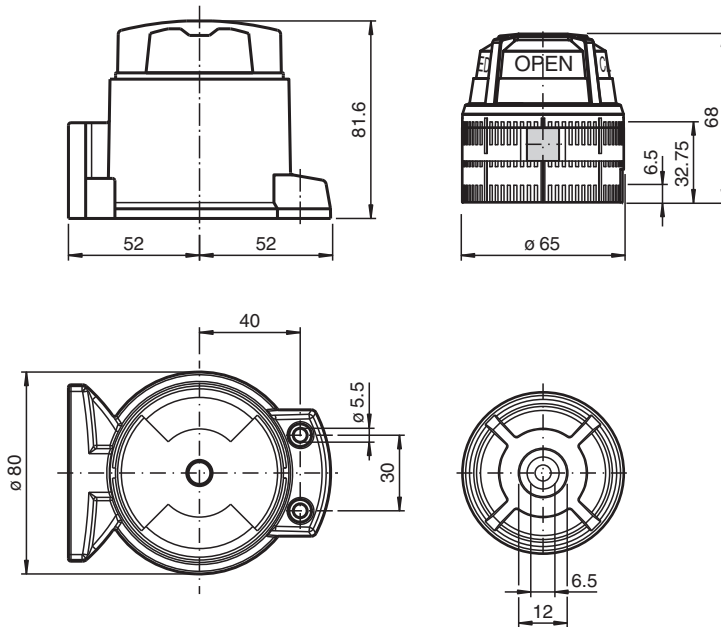
# Activator

## BT65-F31-BY-EN

- High-visibility valve position display
- Protection against contamination and damage
- Captive screws for easy mounting
- Two actuation targets in two levels with 5° setting grid
- Suitable for right and left rotating drives

Activator for F31 and F31K series including protective housing

### Dimensions



### Technical Data

#### General specifications

Ring diameter	max. 65 mm
Spring ring height	max. 6 mm

#### Nominal ratings

Valve status indicator	black = CLOSED yellow = OPEN
------------------------	---------------------------------

#### Compliance with standards and directives

Standard conformity	
Standards	VDI / VDE 3845

#### Ambient conditions

Ambient temperature	-25 ... 70 °C (-13 ... 158 °F)
---------------------	--------------------------------

#### Mechanical specifications

Shaft diameter	≤ 49 mm
----------------	---------

Release date: 2020-03-31 Date of issue: 2020-06-30 Filename: 311213\_eng.pdf

Refer to "General Notes Relating to Pepperl+Fuchs Product Information".

Pepperl+Fuchs Group  
www.pepperl-fuchs.com

USA: +1 330 486 0001  
fa-info@us.pepperl-fuchs.com

Germany: +49 621 776 1111  
fa-info@de.pepperl-fuchs.com

Singapore: +65 6779 9091  
fa-info@sg.pepperl-fuchs.com

**PF** PEPPERL+FUCHS

## Technical Data

Shaft height	20 mm and 30 mm
Mounting hole pattern	30 x 80 mm
Material	
Housing	PC
Actuator	PA
Spacer disk	PA (1 unit, 10 mm strong)
Mounting screw	Stainless steel 1.4401 / AISI 316
Activation target	Stainless steel 1.4305 / AISI 303 (integrated)
<b>General information</b>	
Scope of delivery	<ul style="list-style-type: none"> <li>1 screw M6 x 30</li> <li>1 screw M6 x 40</li> <li>2 screws M5 x 12</li> <li>1 Activator for F31K2 series</li> <li>1 Distance disc</li> <li>1 Protective cover</li> <li>2 captive Fixing screws M5 x 16</li> </ul>