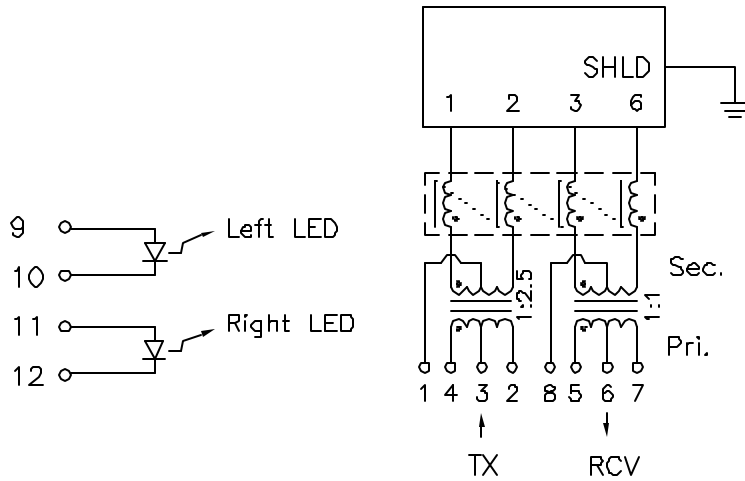


2. Schematic:



3. Electrical Specification: @25°

Isolation: 1500 Vrms 0.5mA 2Sec (Pri to Sec)

Isolation: 500 Vrms 0.5mA 2sec (TX to RCV)

Turns Ratio: 1CT:2.5CT $\pm 2\%$ (TX) 1CT:1CT $\pm 2\%$ (RCV) (Pri : Sec)

PRI OCL: 200uH Min @100KHz 50mV (TX&RCV)

Cw/w: 25pF Maximum @100KHz 50mV

PRI LL: 0.40uH Maximum @100KHz 50mV (SEC Shorted)

PRI DCR: 0.350 Ohms Maximum

CMR CHOKE OCL: 18uH Typical @100KHz 50mV

Notes:

1. Solderability: Leads shall meet MIL-STD-202C, Method 208H for solderability.
2. Flammability: UL94V-0
3. ASTM oxygen index: > 28%
4. Insulation System: Class F 155°C. UL file E151556
5. Operating Temperature Range: All listed parameters are to be within tolerance from -40°C to +85°C
6. Storage Temperature Range: -55°C to +125°C
7. Aqueous wash compatible
8. Electrical and mechanical specifications 100% tested
9. RoHS Compliant Component

DOC. REV: A/2

Complete the Combo P/N as follows:

Replace 'x' & 'u' in the part number with one of the LED color letters:

Y=Yellow

'x' = Left LED Color

G=Green

'u' = Right LED Color

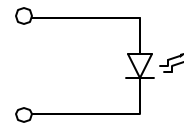
A=Amber

R=Red

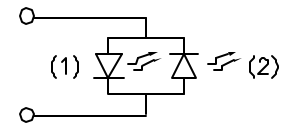
N=Yellow(1)/Green(2) Bicolor

M=Green(1)/Yellow(2) Bicolor

Single Color LED:



Bi-Color LED:



PROPRIETARY:

Document is the property of XFMRS Group & is not allowed to be duplicated without authorization.

XFMRS Inc.

www.XFMRS.com

UNLESS OTHERWISE SPECIFIED

TOLERANCES:

.xxx ± 0.010

Dimensions in Inch

SCALE 1.5:1 SHT 1 OF 1

Title:

SINGLE PORT COMBO w LEDs

P/N: XF10B11A-CVxu1-2M

REV. A

DWN.

廖玉坤

Jul-30-07

CHK.

李清儿

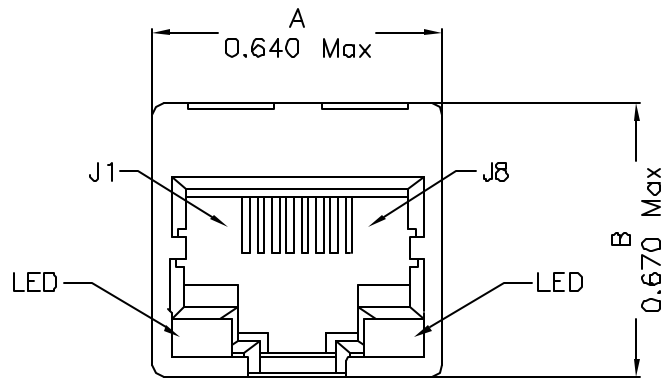
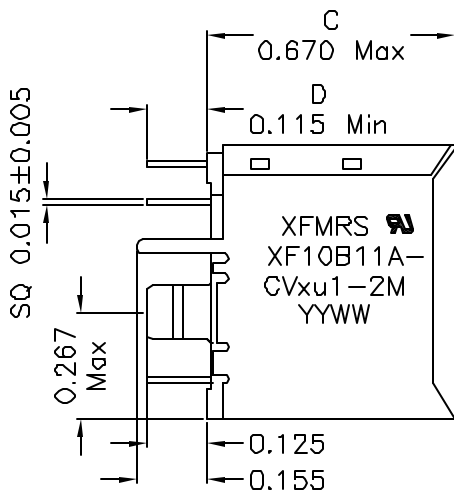
Jul-30-07

APP.

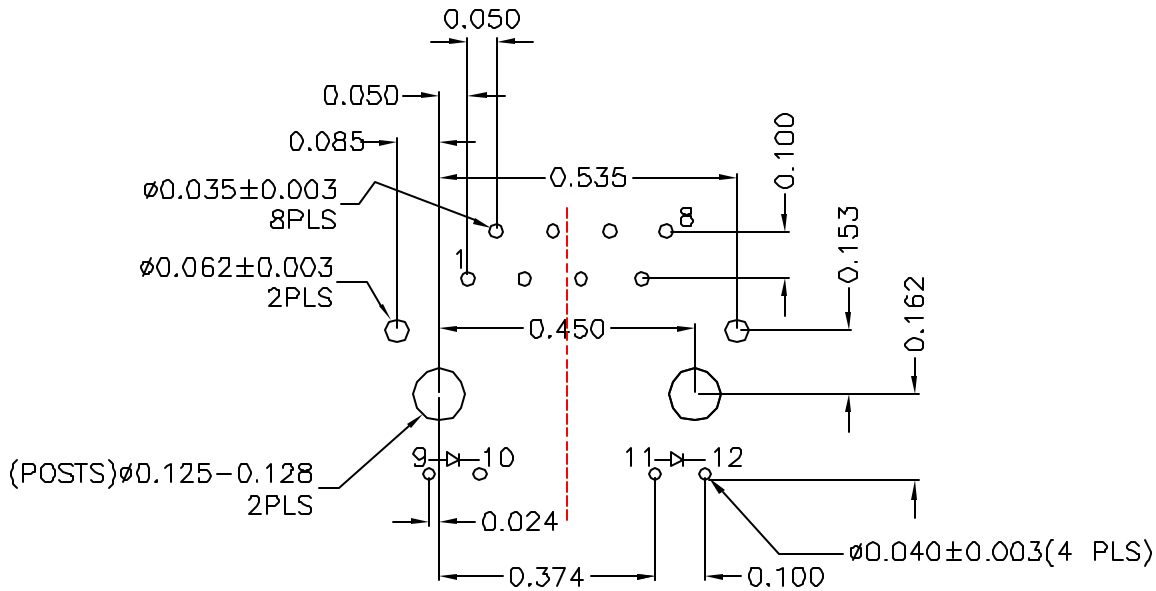
MS

Jul-30-07

Mechanical Dimensions:



Mounting Pattern:



P.C.B RECOMMENDED HOLE LAYOUT

DOC REV: A/2

XFMRs Inc.
www.XFMRS.com

Title: Mechanical Dimensions
For CVxu1-2M Series

UNLESS OTHERWISE SPECIFIED
TOLERANCES:
.xxx ±0.010
Dimensions in Inch

P/N: XF10B11A-CVxu1-2M

REV. A

DWN.

Juan Mao

Jul-30-07

CHK.

YK Liao

Jul-30-07

SHEET 2 OF 2

APP.

MS

Jul-30-07

PROPRIETARY

Document is the property of XFMRs Group & is not allowed to be duplicated without authorization.