

4

3

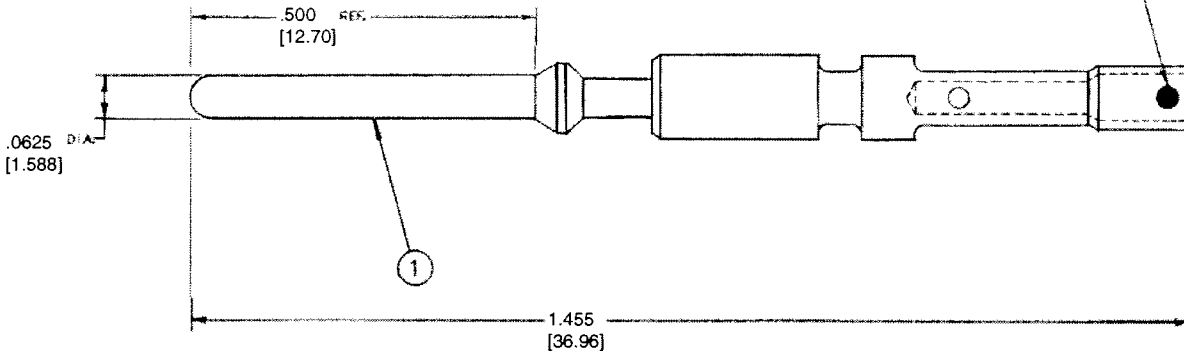
2

1

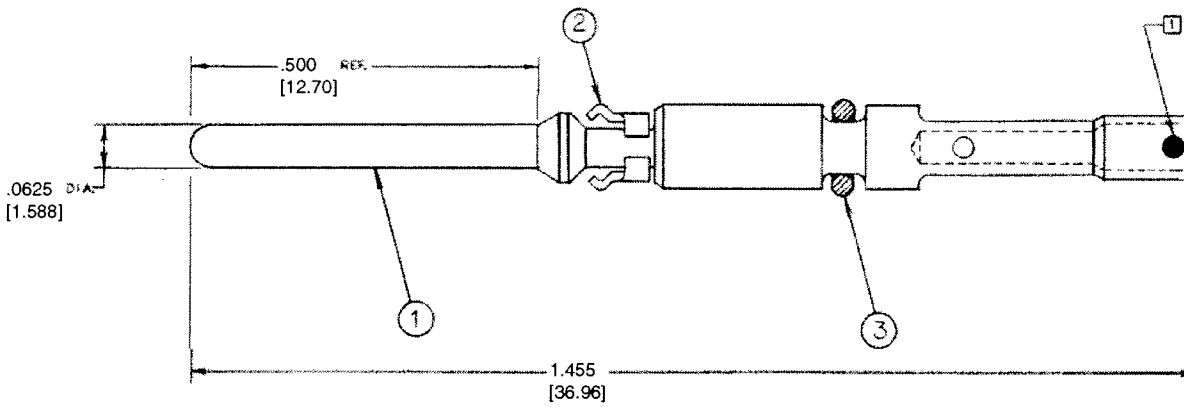
**NOTES:**

- 1. COLOR CODE AS SHOWN AFTER PLATING WITH A GREEN DOT (.03<sup>±</sup>.01)
- 2. DIMENSIONS SHOWN IN BRACKETS [ ] ARE IN MILLIMETERS & SHOWN FOR REFERENCE.

- ① **PIN CONTACT**  
MATERIAL: PHOSPHOR BRONZE  
FINISH: GOLD OVER NICKEL
- ② **RETAINER CLIP**  
MATERIAL: BERYLLIUM COPPER  
FINISH: GOLD OVER COPPER FLASH
- ③ **O-RING**  
MATERIAL: VITON, 75 DUROMETER



**PART NO. 27258-1**  
**SAME AS 27258 EXCEPT:**  
**LESS CLIP AND O-RING**



**PART NO. 27258**

27258

A

A

DATE	CHKD BY	PSM
5-31-84	5-31-84	1020099
RELEASED	ADDED 27258-1	PER 1985A
BY	BY	BY
A	B	

REF 10241  
DEH 401-190

GENERAL NOTES UNLESS OTHERWISE SPECIFIED  
 1. ALL DIMENSIONS ARE IN INCHES & MM  
 2. ALL DIMENSIONS ARE  
 3. REMOVE ALL BURRS TO MAX  
 4. BREAK ALL SHARP EDGES EQ TO R MAX  
 5. R MAX ON INSIDE CORNERS  
 6. ALL DIAMETERS CONCENTRIC TIR MAX  
 7. GENERAL SURFACE FINISH TO BE MAX  
 8. TOLERANCES

JXX ±  
 XXX ± .007  
 ANGLE ±

CLASSIFICATION OF CHARACTERISTICS PER MIL-STD 105  
 MAJOR  
 MINOR

TITLE		PIN CONTACT ASS'Y. OUTLINE	
B		ACCOMMODATES 20, 22, 24 WIRE	
SCALE	DATE	DATE	DATE
10:1	5-31-84	7-20-84	7-20-84
WINCHESTER	27258	REV	B

SCANNED 1