

PLEASE CHECK WWW.MOLEX.COM FOR LATEST PART INFORMATION

Part Number: [0678007001](#)

Status: **Active**

Overview: [serial_ata_products](#)

Description: 1.27mm (.050") Pitch Serial ATA High Speed Header, Vertical, Through Hole, with Locking Latch, 7 Circuits, Gold (Au) Flash, for 1.60mm (.063") PCB, Black, Footprint B, with PCB Locator Tabs, Lead-free

Documents:

[3D Model](#)

[Drawing \(PDF\)](#)

[Product Specification PS-67491-001 \(PDF\)](#)

[RoHS Certificate of Compliance \(PDF\)](#)

Agency Certification

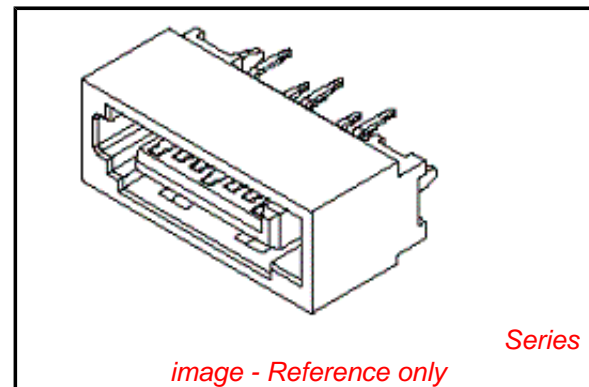
CSA LR 19980
UL E29179

General

Product Family PCB Headers
Series [67800](#)
Application Board-to-Board, Wire-to-Board
Comments Staggered Solder Pin|Footprint B
Overview [serial_ata_products](#)
Product Name Serial ATA

Physical

Breakaway No
Circuits (Loaded) 7
Circuits (maximum) 7
Color - Resin Black
Durability (mating cycles max) 50
First Mate / Last Break Yes
Flammability 94V-0
Glow-Wire Compliant No
Guide to Mating Part No
Keying to Mating Part Yes
Lock to Mating Part Yes
Material - Metal Brass
Material - Plating Mating Gold
Material - Plating Termination Tin
Number of Rows 1
Orientation Vertical
PC Tail Length (in) 0.096 In
PC Tail Length (mm) 2.45 mm
PCB Locator Yes
PCB Retention Yes
PCB Thickness Recommended (in) 0.062 In
PCB Thickness Recommended (mm) 1.60 mm
Packaging Type Tray
Pitch - Mating Interface (in) 0.050 In
Pitch - Mating Interface (mm) 1.27 mm
Pitch - Term. Interface (in) 0.050 In
Pitch - Term. Interface (mm) 1.27 mm
Polarized to Mating Part Yes
Shrouded Fully
Stackable No
Surface Mount Compatible (SMC) No
Temperature Range - Operating -35°C to +85°C



EU RoHS

ELV and RoHS Compliant

REACH SVHC

Not Reviewed

Halogen-Free

Status

Not Halogen-Free

Need more information on product environmental compliance?

Email productcompliance@molex.com
For a multiple part number RoHS Certificate of Compliance, [click here](#)

Please visit the [Contact Us](#) section for any non-product compliance questions.

China RoHS



Search Parts in this Series

[67800Series](#)

Termination Interface: Style

Through Hole

Electrical

Current - Maximum per Contact

1.5A

Voltage - Maximum

15V DC

Solder Process Data

Lead-free Process Capability

Wave Capable (TH only)

Material Info

Reference - Drawing Numbers

Packaging Specification

PK-67800-001

Product Specification

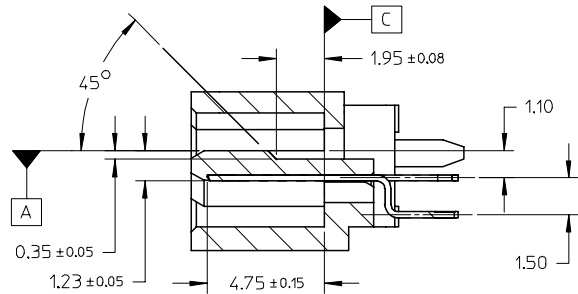
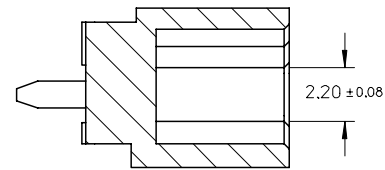
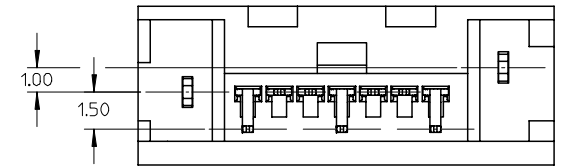
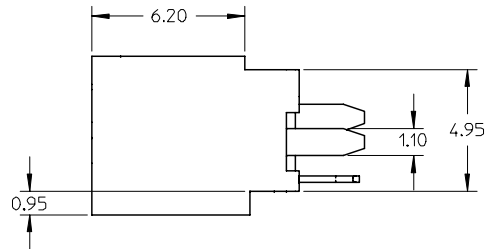
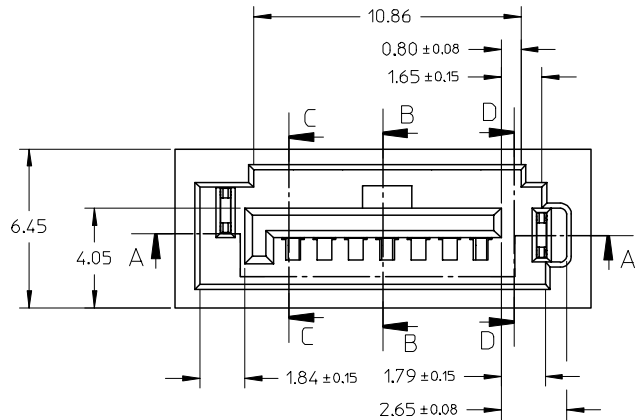
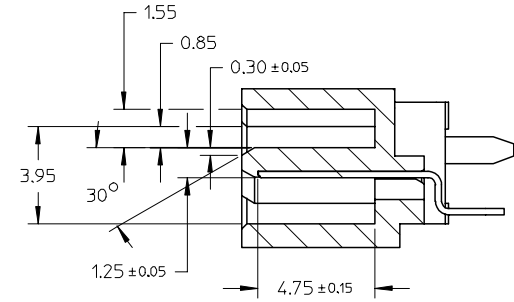
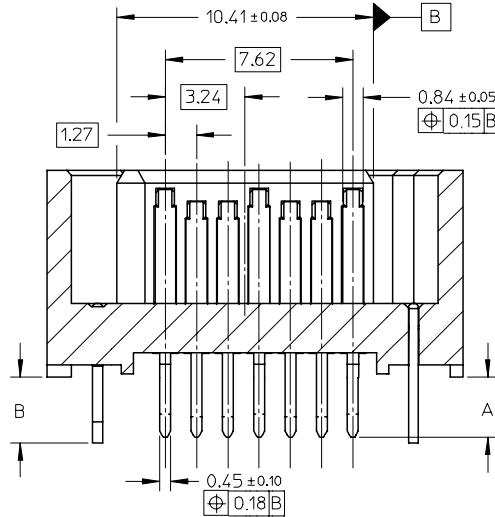
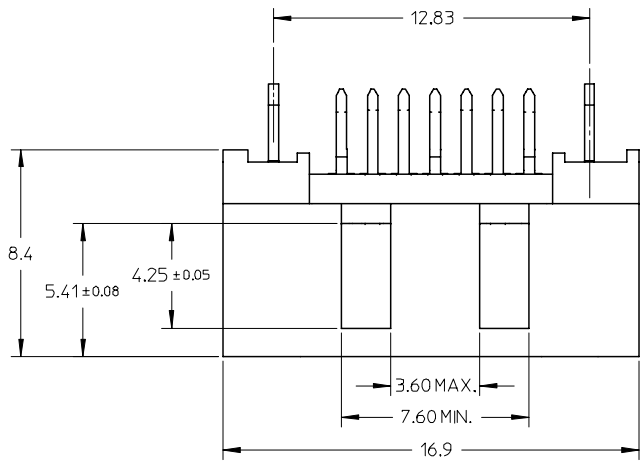
PS-67491-001

Sales Drawing

SD-67800-007

This document was generated on 05/26/2010

PLEASE CHECK WWW.MOLEX.COM FOR LATEST PART INFORMATION



SECTION B-B

SECTION D-D

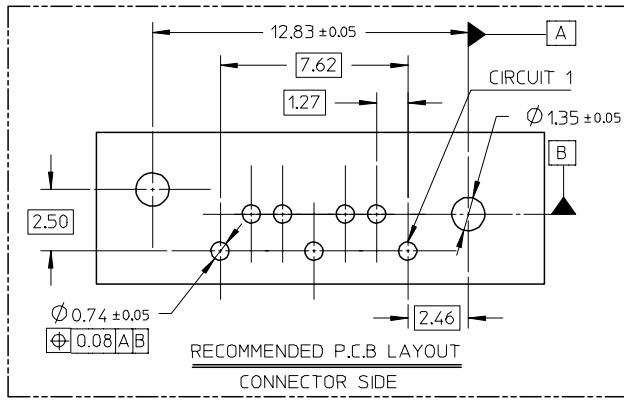
| OBSOLETE PART EC NO: SH2006-0566 DRWN: BCHENZ6 2006/05/29 CHKD: GRATE MA 2006/05/29 APPR: JNCHEN 2006/05/30 | QUALITY SYMBOLS $\nabla = 0$ $\triangle = 0$ | GENERAL TOLERANCES (UNLESS SPECIFIED) <table border="1"> <thead> <tr> <th></th> <th>mm</th> <th>INCH</th> </tr> </thead> <tbody> <tr> <td>4 PLACES</td> <td>± ---</td> <td>± ---</td> </tr> <tr> <td>3 PLACES</td> <td>± ---</td> <td>± ---</td> </tr> <tr> <td>2 PLACES</td> <td>± 0.15</td> <td>± ---</td> </tr> <tr> <td>1 PLACE</td> <td>± 0.25</td> <td>± ---</td> </tr> </tbody> </table> | | mm | INCH | 4 PLACES | ± --- | ± --- | 3 PLACES | ± --- | ± --- | 2 PLACES | ± 0.15 | ± --- | 1 PLACE | ± 0.25 | ± --- | DIMENSION STYLE MM ONLY | SCALE 5:1 | DESIGN UNITS METRIC | THIRD ANGLE PROJECTION |
|--|--|--|--|----------------------------|------|----------|-------|-------|----------|-------|-------|----------|--------|-------|---------|--------|-------|-----------------------------------|---------------------|-------------------------------|------------------------|
| | | mm | INCH | | | | | | | | | | | | | | | | | | |
| | 4 PLACES | ± --- | ± --- | | | | | | | | | | | | | | | | | | |
| | 3 PLACES | ± --- | ± --- | | | | | | | | | | | | | | | | | | |
| 2 PLACES | ± 0.15 | ± --- | | | | | | | | | | | | | | | | | | | |
| 1 PLACE | ± 0.25 | ± --- | | | | | | | | | | | | | | | | | | | |
| DESCRIPTION GRATE MA | DRAWN BY GRATE MA | DATE 2004/02/02 | TITLE HIGH SPEED CONNECTOR 1.27MM PITCH VERTICAL DIP SOLDER TAIL | MOLEX INCORPORATED | | | | | | | | | | | | | | | | | |
| MATERIAL NO. SEE SHEET 2 | APPROVED BY SAM | DATE 2004/02/02 | DOCUMENT NO. SD-67800-007 | SHEET NO. 1 OF 2 | | | | | | | | | | | | | | | | | |
| DRAFT WHERE APPLICABLE MUST REMAIN WITHIN DIMENSIONS | SIZE A3 | THIS DRAWING CONTAINS INFORMATION THAT IS PROPRIETARY TO MOLEX INCORPORATED AND SHOULD NOT BE USED WITHOUT WRITTEN PERMISSION | | | | | | | | | | | | | | | | | | | |

F

E

F

E



NOTES:

- MATERIAL:
HOUSING/COLOR: SEE CHART, GLASS FILLED, UL94V-0
TERMINAL/PEG: BRASS
- TERMINAL PLATING:
CONTACT AREA: (a) GOLD FLASH
(b) GOLD, THICKNESS=0.76 MICRON MINIMUM
(c) GOLD, THICKNESS=0.38 MICRON MINIMUM
- SOLDER TAIL: TIN PLATED 1.27 MICRON MINIMUM OVER NICKEL PLATED 1.27 MICRON MINIMUM
- PEG PLATING: TIN PLATED 1.27 MICRON MINIMUM OVER NICKEL PLATED 1.8 MICRON MINIMUM
- PACKAGING: TRAY
- PRODUCT SPECIFICATION REFER TO PS-67491-001
- RECOMMENDED SOLDERING PROCESS: THERMAL PLASTIC FOR WAVE SOLDEING PROCESS
HIGH TEMPERATURE THERMAL PLASTIC FOR IR SOLDERING PROCESS



D

D

| MATERIAL NUMBER | PLATING TYPE | DIM A | DIM B | P.C.B THICKNESS | PLASTIC TYPE | PLASTIC COLOR | REMARK |
|-----------------|--------------|-------|-------|-----------------|-----------------|----------------|----------|
| 678007065 | SEE NOTE2(c) | | | | | | |
| 678007062 | SEE NOTE2(b) | 3.25 | 3.45 | 2.40+/-0.05 | | | |
| 678007061 | SEE NOTE2(a) | | | | | | |
| 678007055 | SEE NOTE2(c) | | | | | | |
| 678007052 | SEE NOTE2(b) | 2.85 | 3.05 | 2.00+/-0.05 | THERMAL PLASTIC | NATURE COLOR | |
| 678007051 | SEE NOTE2(a) | | | | | | |
| 678007045 | SEE NOTE2(c) | | | | | | |
| 678007042 | SEE NOTE2(b) | 2.45 | 2.65 | 1.60+/-0.05 | | | |
| 678007041 | SEE NOTE2(a) | | | | | | |
| 678007085 | SEE NOTE2(c) | | | | | | |
| 678007082 | SEE NOTE2(b) | 3.25 | 3.45 | 2.40+/-0.05 | | | |
| 678007081 | SEE NOTE2(a) | | | | | | |
| 678007075 | SEE NOTE2(c) | | | | | | PURE TIN |
| 678007072 | SEE NOTE2(b) | 2.85 | 3.05 | 2.00+/-0.05 | THERMAL PLASTIC | PROCESS BLUE C | |
| 678007071 | SEE NOTE2(a) | | | | | ΔE<3 | |
| 678007035 | SEE NOTE2(c) | | | | | | |
| 678007032 | SEE NOTE2(b) | 2.45 | 2.65 | 1.60+/-0.05 | | | |
| 678007031 | SEE NOTE2(a) | | | | | | |
| 678007025 | SEE NOTE2(c) | | | | | | |
| 678007022 | SEE NOTE2(b) | 3.25 | 3.45 | 2.40+/-0.05 | | | |
| 678007021 | SEE NOTE2(a) | | | | | | |
| 678007015 | SEE NOTE2(c) | | | | | | |
| 678007012 | SEE NOTE2(b) | 2.85 | 3.05 | 2.00+/-0.05 | THERMAL PLASTIC | BLACK | |
| 678007011 | SEE NOTE2(a) | | | | | | |
| 678007005 | SEE NOTE2(c) | | | | | | |
| 678007002 | SEE NOTE2(b) | 2.45 | 2.65 | 1.60+/-0.05 | | | |
| 678007001 | SEE NOTE2(a) | | | | | | |

| MATERIAL NUMBER | PLATING TYPE | DIM A | DIM B | P.C.B THICKNESS | PLASTIC TYPE | PLASTIC COLOR | REMARK |
|-----------------|--------------|-------|-------|-----------------|--------------|---------------|----------------------------------|
| 678007125 | SEE NOTE2(c) | | | | | | |
| 678007122 | SEE NOTE2(b) | 3.25 | 3.45 | 2.40+/-0.05 | | | |
| 678007121 | SEE NOTE2(a) | | | | | | |
| 678007115 | SEE NOTE2(c) | | | | | | HIGH TEMPERATURE THERMAL PLASTIC |
| 678007112 | SEE NOTE2(b) | 2.85 | 3.05 | 2.00+/-0.05 | | BLACK | PURE TIN |
| 678007111 | SEE NOTE2(a) | | | | | | |
| 678007105 | SEE NOTE2(c) | | | | | | |
| 678007102 | SEE NOTE2(b) | 2.45 | 2.65 | 1.60+/-0.05 | | | |
| 678007101 | SEE NOTE2(a) | | | | | | |

B

B

A

A

| | | | | | | | |
|--|-----------------|--|-----------------|---|--------------|--|--|
| OBSOLESCE PART EC NO: SH2006-0566 DRWN: BCHENZ6 2006/05/29 CHKD: GRATE MA 2006/05/29 APPR: JNCHEN 2006/05/30 | QUALITY SYMBOLS | GENERAL TOLERANCES (UNLESS SPECIFIED) | DIMENSION STYLE | SCALE | DESIGN UNITS | THIRD ANGLE PROJECTION | |
| | ▽=0 ▽=0 | mm INCH 4 PLACES ± --- ± --- 3 PLACES ± --- ± --- 2 PLACES ± 0.15 ± --- 1 PLACE ± 0.25 ± --- ANGULAR ± 1/2° | MM ONLY | 5:1 | METRIC | DRAWN BY DATE GRATE MA 2004/02/02 CHECKED BY DATE YA JUN 2004/02/02 APPROVED BY DATE SAM 2004/02/02 | |
| | | DRAFT WHERE APPLICABLE MUST REMAIN WITHIN DIMENSIONS | SEE CHART | TITLE HIGH SPEED CONNECTOR 1.27MM PITCH VERTICAL DIP SOLDER TAIL | | MOLEX INCORPORATED | |
| | | | | MATERIAL NO. | DOCUMENT NO. | SHEET NO. | |