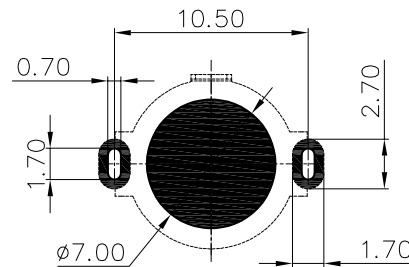
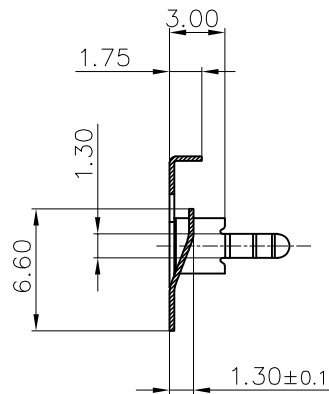
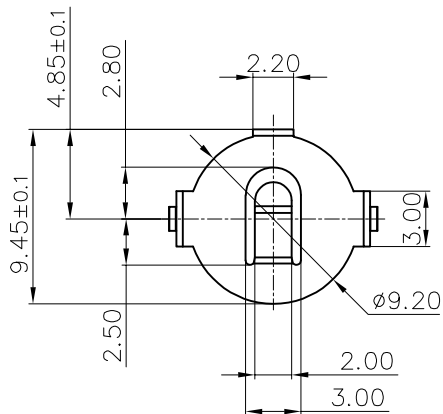
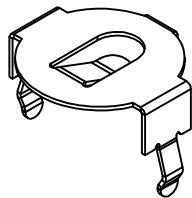
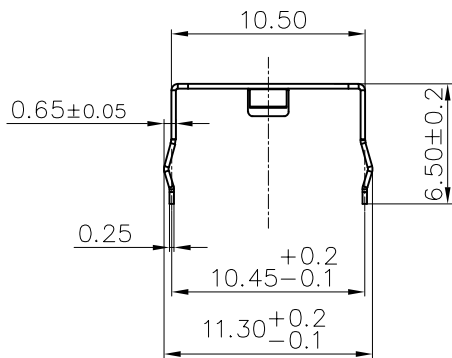




REV.	ECN NO.	REVISED	DATE



PCB Layout Diagram



技术要求:

- 1、截断面毛刺高度 $\leq 0.03\text{mm}$ ;
- 2、部件要求平整,无变形、裂纹、损伤等外观缺陷;

UNLESS OTHERWISE SPECIFIED TOLERANCES		<b>MYOUNG 美阳</b> <a href="http://www.meiyangdz.com">www.meiyangdz.com</a>					
DECIMALS:	ANGLES:	DSND	YangFeng	DATE	2021-11-05	TITLE:	
X :±0.30	X :±1°	CHKD	ZhouRuicai	DATE	2021-11-05	电池扣S927-1W DIP 弯脚	
X.X :±0.25	X.X :±0.5°	APVD	XueShunyong	DATE	2021-11-05	PART NO.:	
X.XX :±0.20		WEIGHT:	SCALE:	SIZE:	A4	VIEW:	MY-927-03
X.XXX :±0.10		SHEET 1 OF 1	UNIT: mm	REV.:	A/0	OBJECT: MY	DRAW NO.:MY-CP-0282

1	TERMINAL +	1	Mn Steel T=0.25MM	Ni-Plating
NO.	PART NAME	Q'TY	MATERIAL	PLATING & COLOR
1				