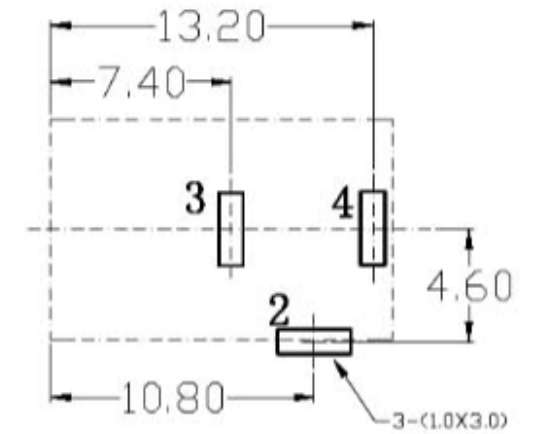
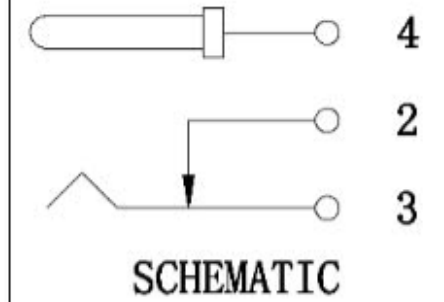
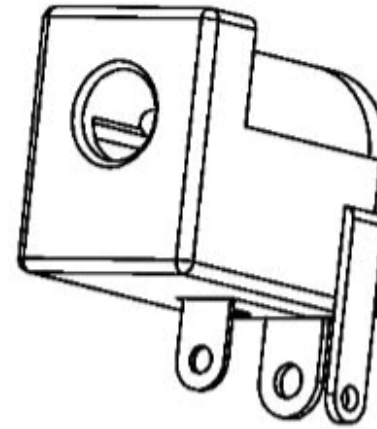
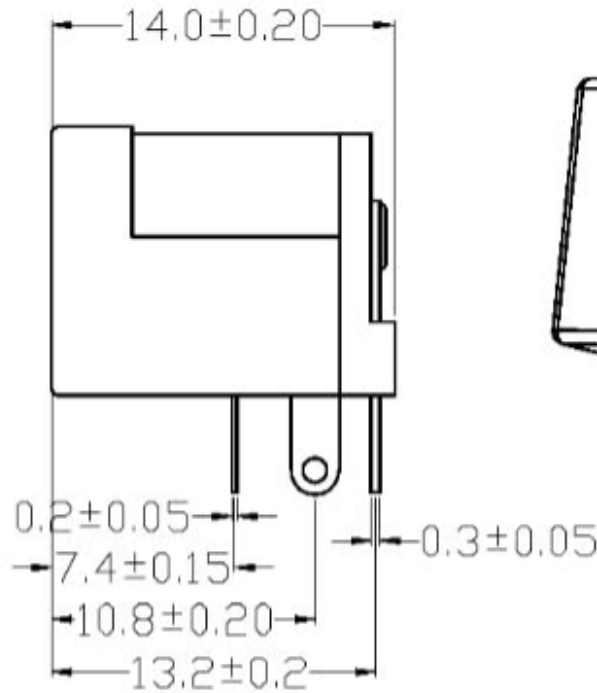
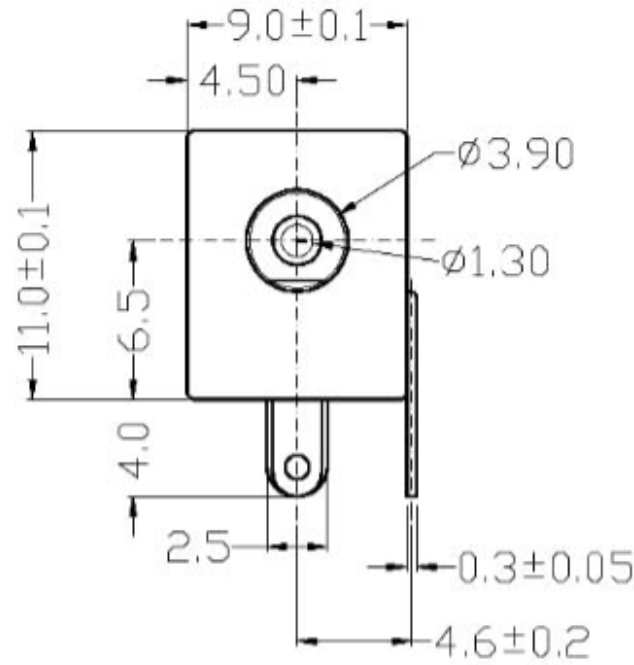
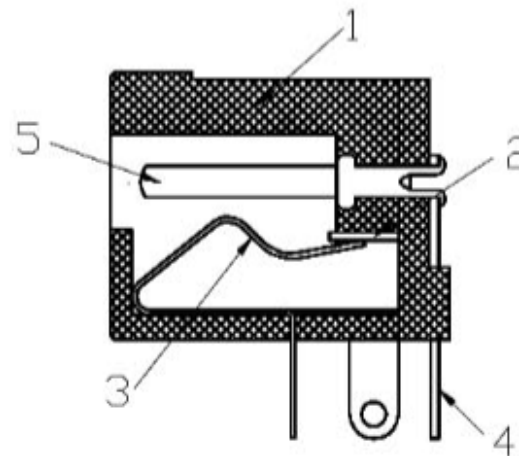
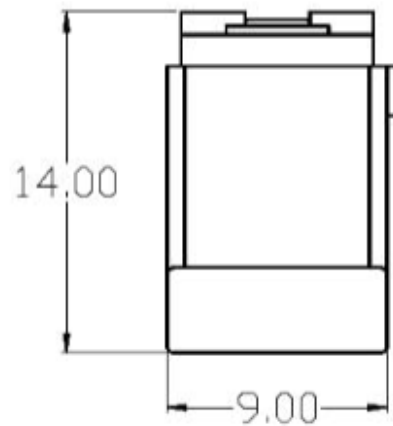


REV.	ECN NO.	LOCAS.	DESCRIPTION	DATE	DESIGN
A0				081018	HANG
C					HANG



PIN	Ø1.3	Ø2.0	Ø2.5
APPD	✓		



**SPECIFICATION:**

- 1.RATING:DC 30V 0.5A
- 2.CONTACT RESISTANCE:30m Ω Max
- 3.INSULATION RESISTANCE:100M Ω (DC250V) Min
- 4.WITHSTAND VOLTAGE:500VAC
- 5.INSERTION AND EXTRACTION FOCE:3-20N
- 6.LIFE TEST:5000 CYCLES

NO.	PARTS	MATERIALS	Q' TY	FINISH
5	PLUG PIN	BRASS	1	NI PLATED
4	CONTACT 4#	BRASS STRIP	1	Ag PLATED OVER NI
3	CONTACT 3#	BRONZE STRIP	1	Ag PLATED OVER NI
2	CONTACT 2#	BRASS STRIP	1	Ag PLATED OVER NI
1	HOUSING	NYLON/PA66+F.G	1	BLACK

DIM	TOL	DIM	TOL
X.	±0.30	X'	±4.0'
X.X	±0.25	X.X'	±3.0'
X.XX	±0.20	X.XX'	±2.0'
X.XXX	±0.05	X.XXX'	±1.0'

深圳市金航标电子有限公司			WWW.BDS666.COM		
KH-DC-005C-1.3			0755-83044319		
DRAW NO.	DATE	DRAW NAME: DC POWER JACK			
DESIGN	HANG	081218	P/N NO. DC-09005C-13		
CHECK	WANGCM	081218	FILE:		
APPROVED	HUYX	081218	UNIT: mm	SHEET: N/A	MODEL:
			REV. C SCALE N/A		