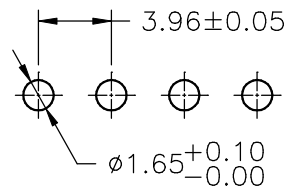
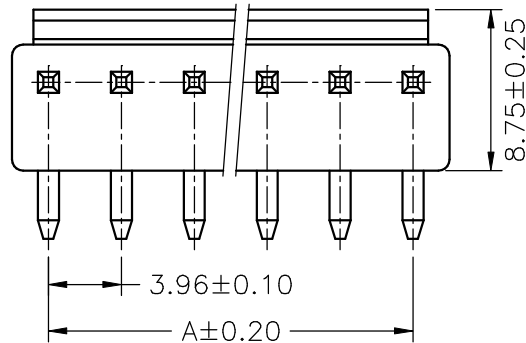
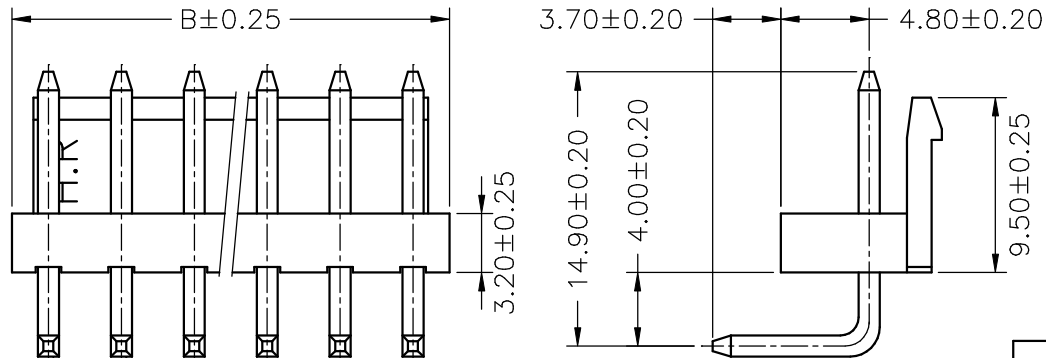


SPECIFICATIONS
 Current Rating: 7A AC,DC
 Voltage Rating: 250V AC,DC
 Temperature Range: -25°C ~ +85°C
 Contact Resistance: 10mΩ Max
 Insulation Resistance: 1000MΩ Min
 Withstanding Voltage: 1500V AC/minute
 Pin Material: Brass/Tin-plated
 Material: Nylon 66,UL94V-0
 Color: Natural(White)



P.C.B LAYOUT



PIN 1.14 SQ
 Circuit 1

Ordering Information & Dimensions

PART NO.	Dimensions	
	A	B
A3961WR-02P	3.96	7.92
A3961WR-03P	7.92	11.88
A3961WR-04P	11.88	15.84
A3961WR-05P	15.84	19.80
A3961WR-06P	19.80	23.76
A3961WR-07P	23.76	27.72
A3961WR-08P	27.72	31.68
A3961WR-09P	31.68	35.64
A3961WR-10P	35.64	39.60
A3961WR-11P	39.60	43.56
A3961WR-12P	43.56	47.52
A3961WR-13P	47.52	51.48
A3961WR-14P	51.48	55.44
A3961WR-15P	55.44	59.40

UNIT	SCALE	SHEET	TITLE:
mm		1 of 1	
DRAWN BY	APPROVED BY	3.96mm PITCH 90° WAFER	
董正一 2001.02.01	董正一 2001.02.01		
GENERAL TOLERANCE		DRAW NO. : A3961WR-XP	
X. X±0.25	ANGLE±		
X. XX±0.15			
BO	NEW RELEASE	2006.04.17	REV. B0
REV.	DESCRIPTION	DATE	