

Multistandard Sound IF

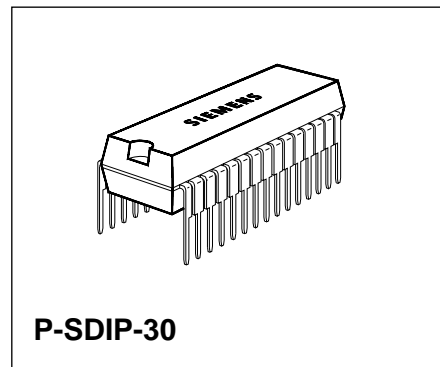
TDA 6160-2S

Preliminary Data

Bipolar IC

Features

- Sound carrier mixer
- VCO
- Programmable Divider
- Reference divider with crystal oscillator
- Phase comparator
- Operational amplifier for PLL filter
- I²C bus interface
- 3 identical FM channels with limiter amplifiers and coincidence demodulators.



Type	Ordering Code	Package
TDA 6160-2S	Q67000-A5184	P-SDIP-30

Functional Description

Multistandard sound IF-device consisting of a mixer as a frequency converter, a voltage-controlled oscillator (VCO) that can be continuously tuned in 10-kHz increments with crystal accuracy by means of a PLL, and three following parallel FM-limiter amplifiers with coincidence demodulators.

The switching functions and setting of the PLL are controlled on an I²C bus.

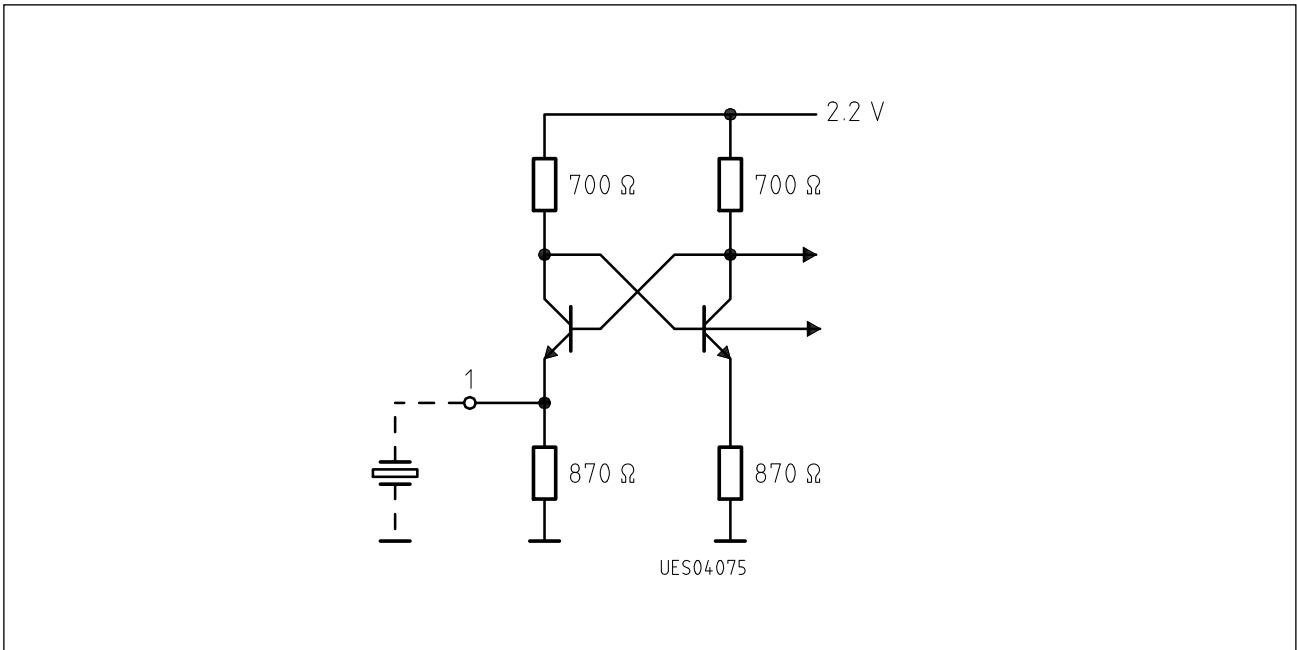
Application

For use in satellite receivers.

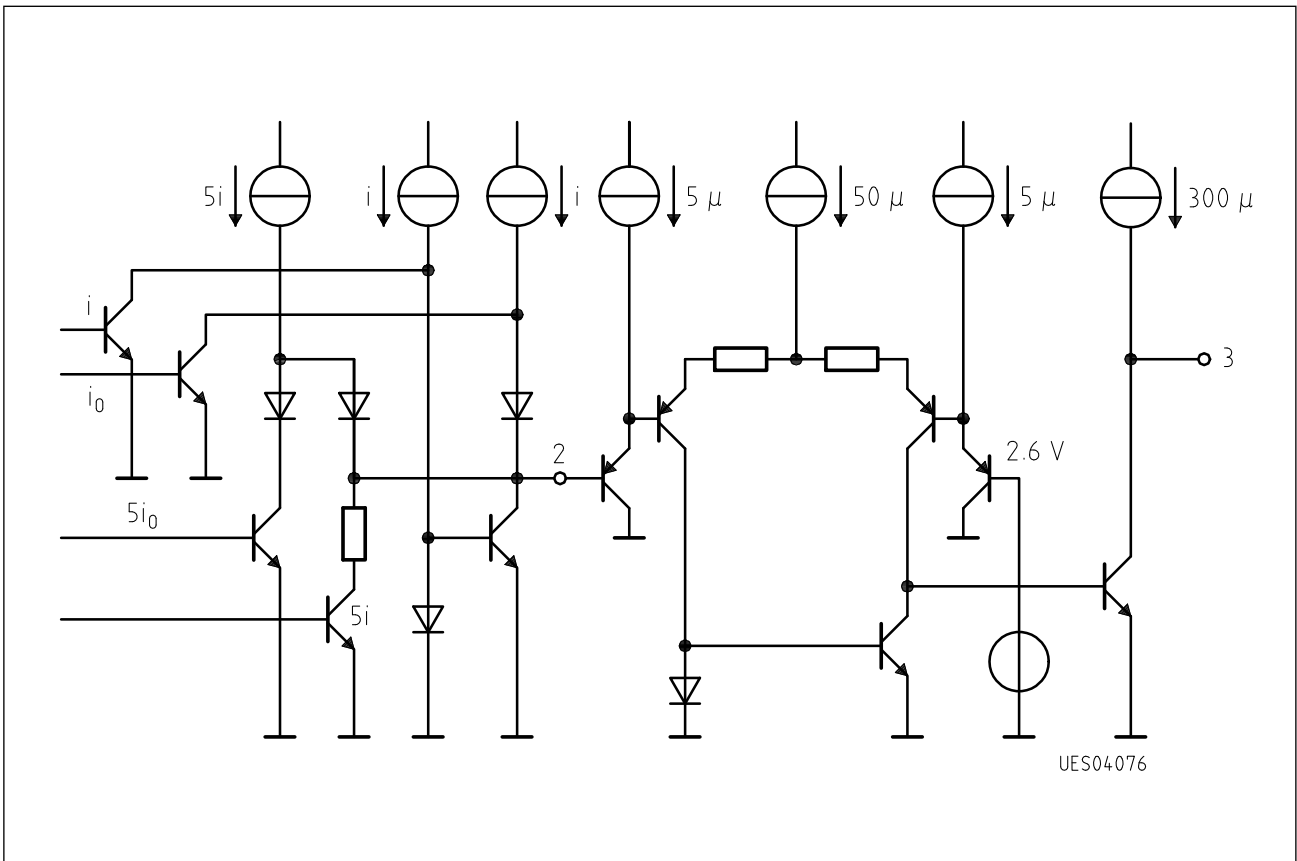
Pin Functions

Pin No.	Function
1	Quartz oscillator
2	PD-output / integrator input (f_{REF}, f_{CY})
3	Integrator output (V_D)
4	VCO
5	Chip address switching (CA)
6	Demodulator circuit (IF-1)
7	Demodulator circuit (IF-1)
8	AF-output 1
9	Demodulator circuit (IF-2)
10	Demodulator circuit (IF-2)
11	AF-output 2
12	Demodulator circuit (IF-3)
13	Demodulator circuit (IF-3)
14	AF-output 3
15	NC
16	NC
17	IF-input 3
18	V_S (analog)
19	IF-input 2
20	Ground (analog)
21	IF-input 1
22	IF-reference
23	Mixer output 2
24	Mixer output 1
25	Mixer input (reference)
26	Mixer input
27	Ground (digital)
28	V_S (digital)
29	I ² C bus (SCL)
30	I ² C bus (SDA)

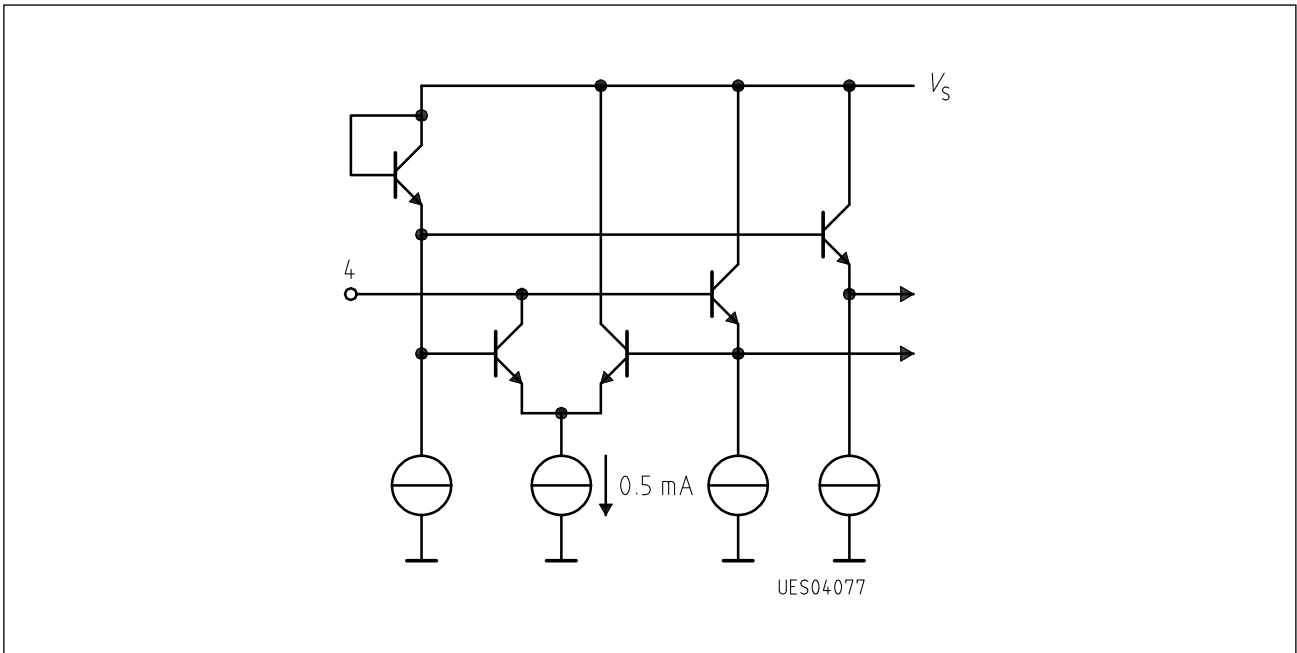
Pin Functions



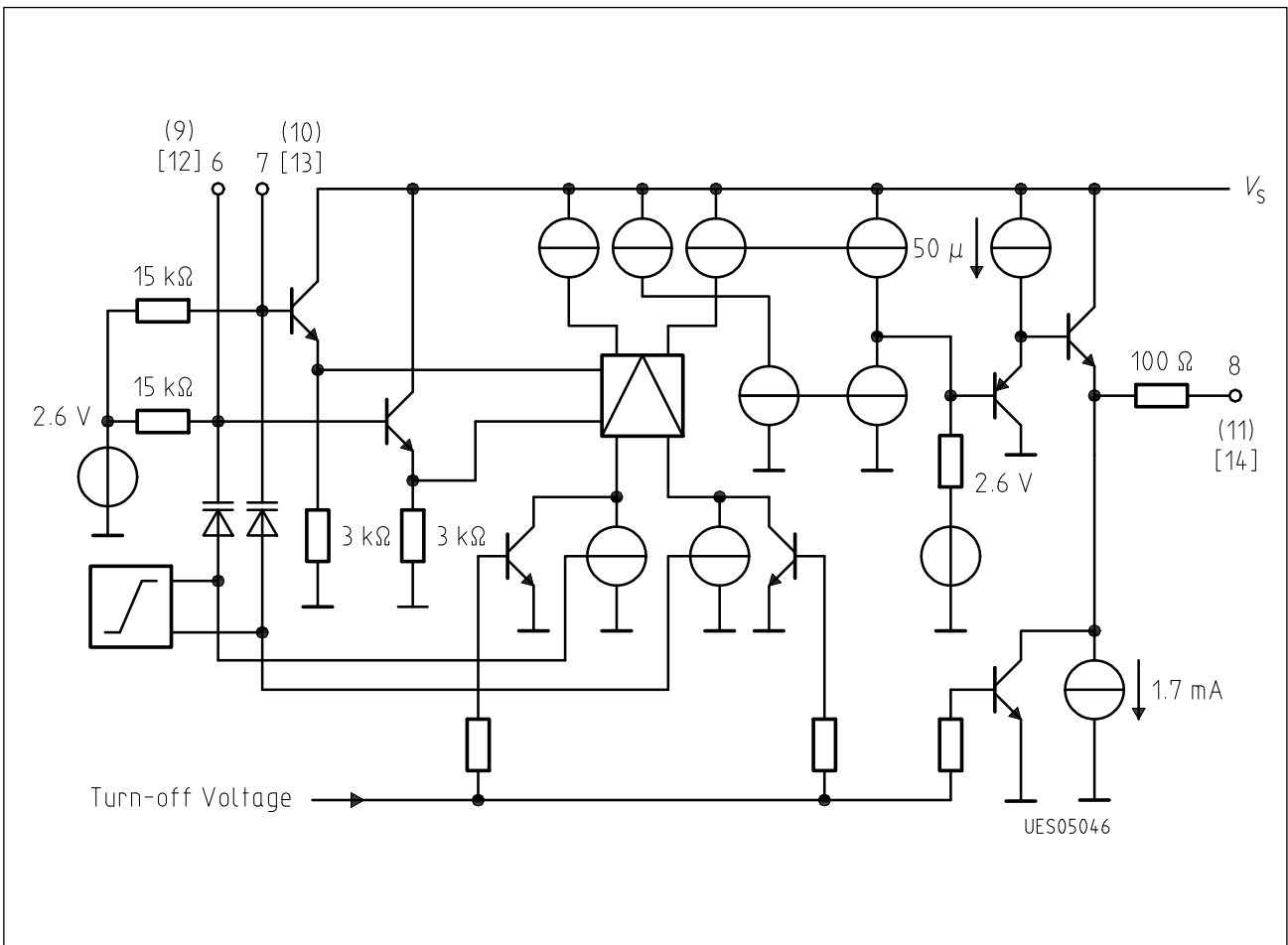
Pin 1



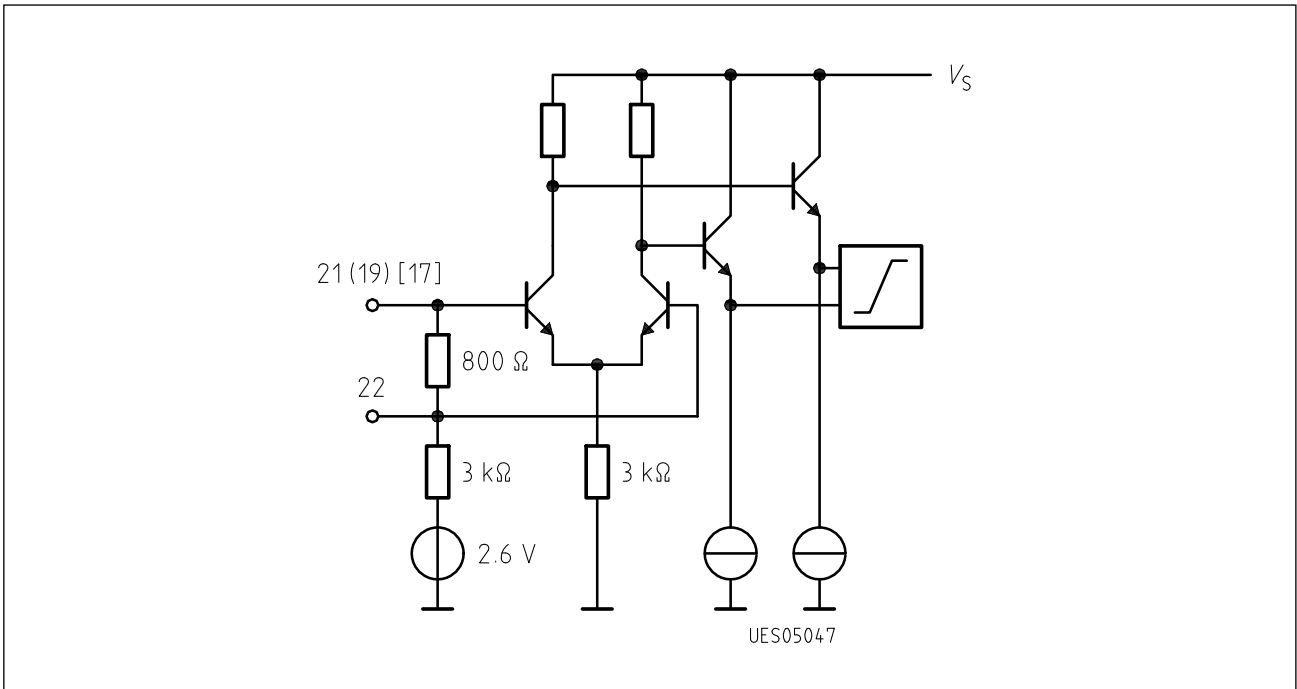
Pin 2/3



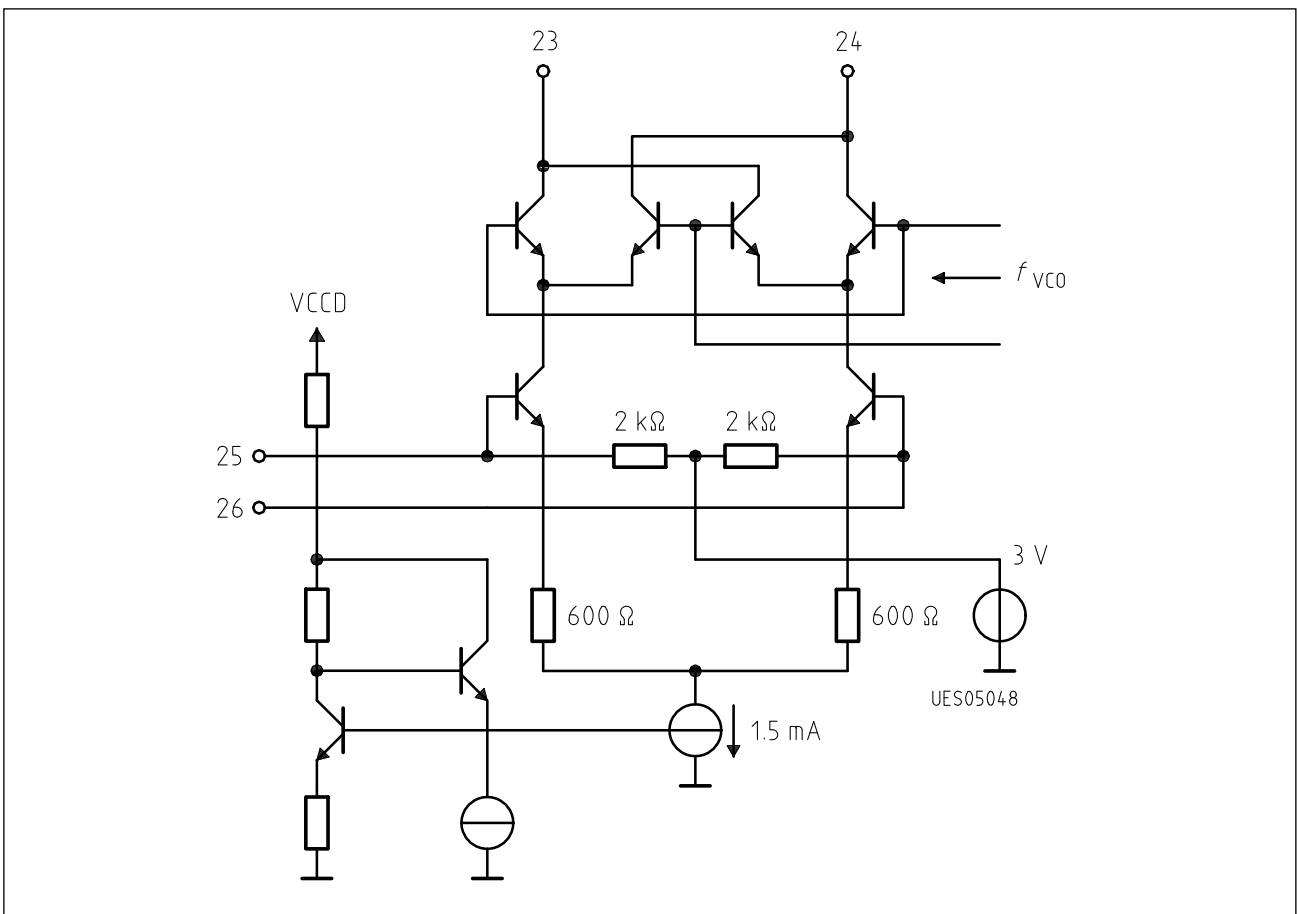
Pin 4



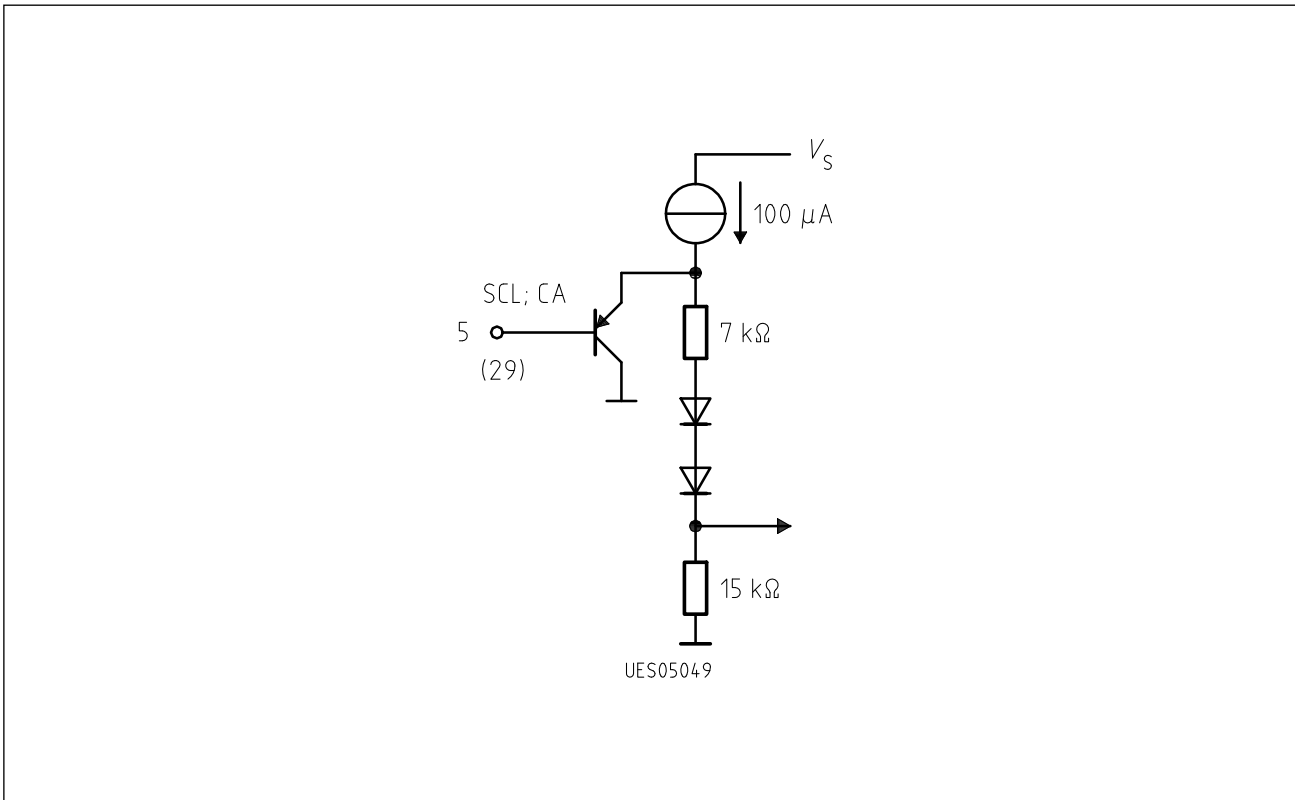
Pin 6/7/8; 9/10/11; 12/13/14



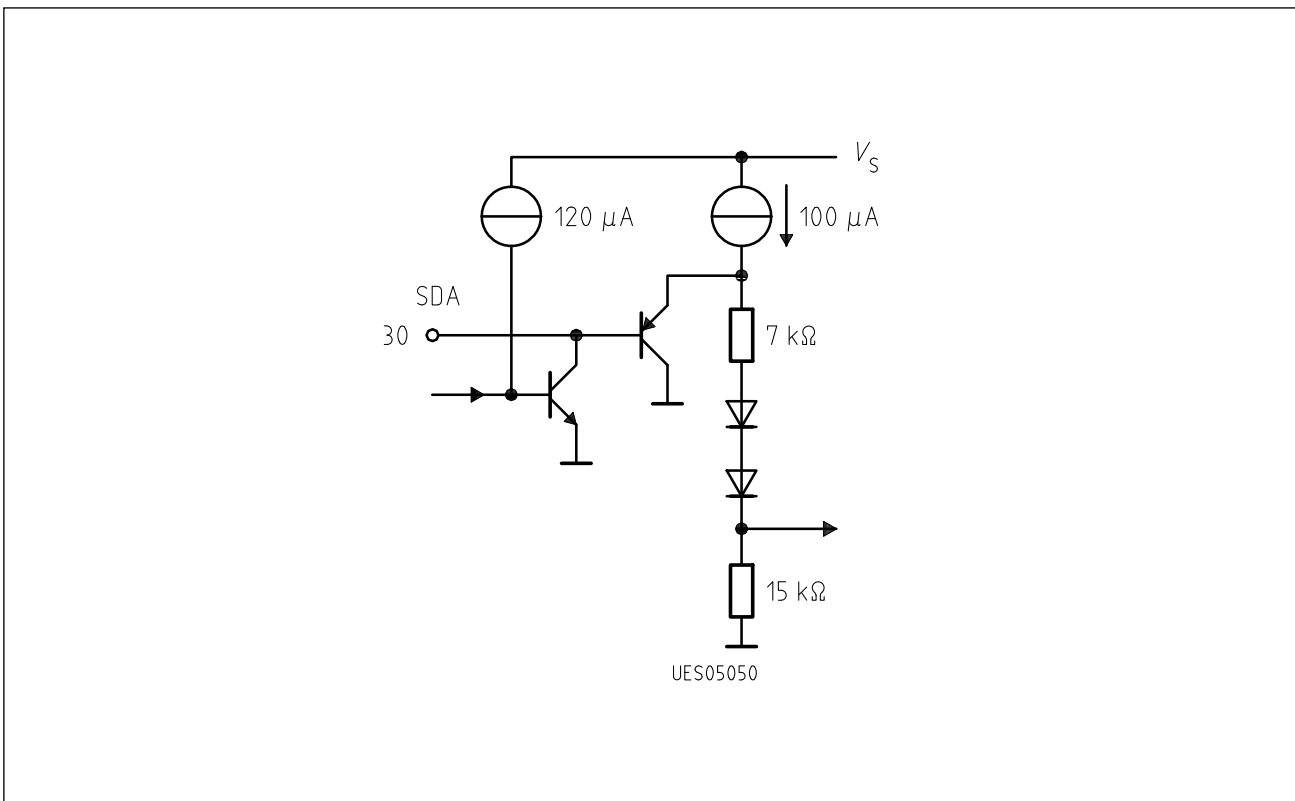
Pin 21; 19; 17/22



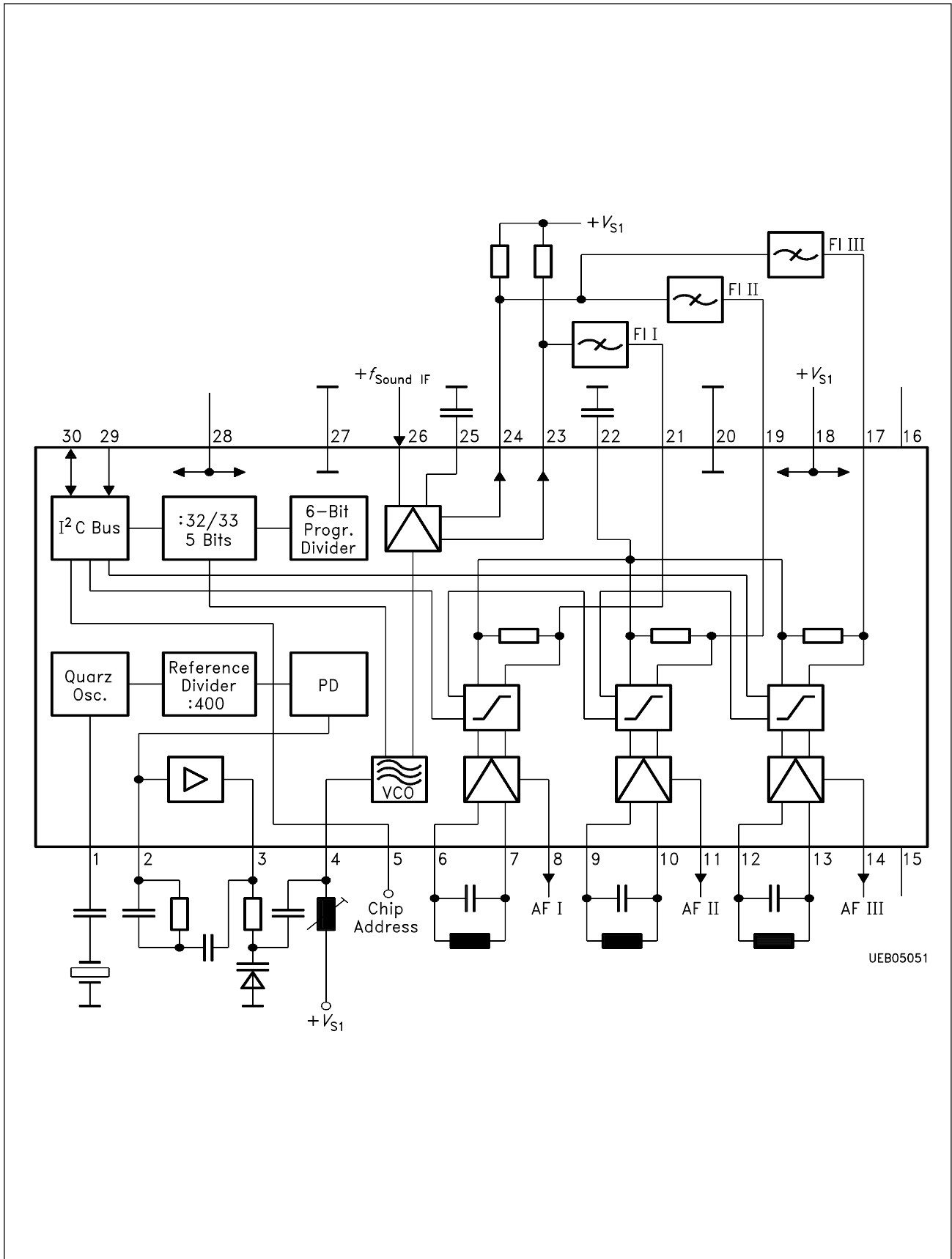
Pin 23/24/25/26



Pin 5; 29



Pin 30



UEB05051

Block Diagram

Circuit Description

The sound intermediate frequencies contained in the baseband of a demodulated FM satellite signal can lie between 5 and 9 MHz. This band of frequencies is applied ready filtered to the input of the converter mixer. The purpose of this mixer is to convert the different sound IFs in the baseband to fixed output frequencies (eg 10.7/10.52 MHz). These frequencies are then fed by external filters to the inputs of the three sound IF-amplifiers.

The VCO of the mixer can be continuously tuned between 14.5 and 20 MHz in 10-kHz increments with crystal accuracy by means of a PLL-circuit.

The setting of the programmable divider and the cutting in and out of the sound IF-amplifiers are controlled on the I²C bus.

Pin 5 (CA) offers two switchable chip addresses to enable parallel operation of two devices.

All pins are guarded against electrostatic discharge. SCL and SDA include special protective structures to permit continued bus operation when the device is switched off.

PLL

The VCO-signal, DC coupled internally, is applied to the PLL-input. It passes through a programmable divider ($N = 1024$ to 2047) and is then compared to a reference frequency ($f_{REF} = 10$ kHz) in a digital frequency/phase detector. This frequency is derived from a 4-MHz crystal oscillator whose signal is divided by 400.

The phase detector has a charge-pump push-pull current output. If the negative edge of the divided VCO-signal appears before the negative edge of the reference signal, the current source $I+$ will pulse for the duration of the phase difference. In the reverse case it is the current sink $I-$. If both signals are in-phase, the output is high-impedance and the PLL is locked in. The current pulses are filtered by means of an integrator (internal operational amplifier with external RC-circuitry).

The pump current can be switched between the two values 1 and 5 by software with a control bit 5l. This permits a change in the control response during and after the lock-in state.

I²C Bus Interface

Information is exchanged between the processor and the sound IF-device on an asynchronous bidirectional data bus. The timing for this comes from the processor (input SCL), while pin SDA-functions as an input or output depending on the direction of the data (open collector; external pull-up resistor).

The data from the processor go to an I²C bus controller and are filled in registers (latches 0 to 2) according to their function. When the bus is not busy, both lines are in marking state (SDA, SCL are high). Each telegram begins with the start condition: SDA goes low while SCL remains high. All further exchanges of information are while SCL is low and are read by the controller with the positive clock edge. If SDA goes high while the clock is high, the PLL recognizes this as a stop condition and thus the end of the telegram.

For what follows, refer to the table of logic assignments below.

All telegrams are transferred byte by byte, followed by a ninth clock pulse during which the controller pulls the SDA-line to low (i.e. acknowledge condition). The first byte consists of seven address bits with which the processor selects the PLL from among several peripheral devices (chip select). The

eighth bit is always low. The first bit of the first or third data byte in the data part of the telegram determines whether a divider ratio or control information will follow. In every case the first byte must be followed by a byte of the same data type (or a stop condition). When the supply voltage is applied, a power-on reset circuit prevents the PLL from pulling the SDA-line to low and thus blocking the bus.

Logic Allocations

Address byte	0	1	0	0	0	MA1	MA0	R/W	A	
Progr. divider byte 1	0	0	n10	n9	n8	n7	n6	n5	A	
Progr. divider byte 2	n4	n3	n2	n1	n0	0	0	0	A	
Control information	1	5I	Z2	Z1	Z0	T2	T1	T0	A	
Address byte 1	0	1	0	0	0	1	0	0	A	= H44
Address byte 2	0	1	0	0	0	1	1	0	A	= H46

Chip address (CA)
 pin 5 on: ground = address byte 1
 V_S or open = address byte 2

Test Mode

T2, T1, T0 = 0, 0, 0	normal operation
T2, T1, T0 = 1, 0, 0	pin 2 = f_{REF}
T2, T1, T0 = 1, 1, 0	pin 2 = f_{CY}
T2, T1, T0 = 1, 1, 1	pin 2 = tristate
T2, T1, T0 = 0, 1, 1	pin 2 = high-impedance = pin 3 high-impedance

IF-Muting Circuits

Z2, Z1, Z0 = 0, 0, 0	normal operation	
Z2, Z1, Z0 = 0, 0, 1	IF 3	= off (output 14 high-impedance)
Z2, Z1, Z0 = 0, 1, 0	IF 2	= off (output 11 high-impedance)
Z2, Z1, Z0 = 0, 1, 1	IF 1 = on; IF 2/IF 3 = off	
Z2, Z1, Z0 = 1, 0, 0	IF 1	= off (output 8 high-impedance)
Z2, Z1, Z0 = 1, 0, 1	IF 1 = off; IF 2 = on; IF 3 = off	
Z2, Z1, Z0 = 1, 1, 0	IF 3 = on; IF 1/IF 2 = off	
Z2, Z1, Z0 = 1, 1, 1	IF 1, IF 2, IF 3 = off	

Telegram Examples

Start-AB-DB1-DB2-CI-Stop	Start = start condition
	AB = address byte
Start-AB-CI-DB1-DB2-Stop	DB1 = divider byte 1
Start-AB-DB1-Stop	DB2 = divider byte 2
	CI = control information
Start-AB-CI-Stop	Stop = stop condition

Converter Mixer + VCO

In the converter mixer the sound subcarriers (frequency band approx. 5 to 9 MHz) contained in the baseband of the received composite signal are converted to an output frequency of 10.52 MHz or 10.7 MHz for example. The two mixer outputs are designed as open-collector outputs.

The VCO has internal feedback and its frequency of 15.5 to 19.7 MHz is determined by an external resonant circuit with a varactor diode that is tuned by the PLL. The resonant circuit is connected to the supply voltage by its low side.

IF-Limiter with Demodulators

The limiter amplifiers are implemented as balanced five-stage, capacitively coupled differential amplifiers. All these limiter inputs have a common reference (pin 22).

The output signals of the limiter amplifiers are fed direct and via an external phase-shifter circuit to the coincidence demodulators. The AF-signals can be brought out an disconnectible (by Z2, Z1, Z0) AF output stages. The outputs are high-impedance when they are disconnected.

Absolute Maximum Ratings

$T_A = 0$ to 70 °C

Parameter	Symbol	Limit Values		Unit
		min.	max.	
Supply voltage	V_{18}, V_{28}	0	6	V
AF-output	I_8, I_{11}, I_{14}	- 1.5	3	mA
AF-output	V_8, V_{11}, V_{14}		V_{16}	V
Demodulators	$V_{6/7}, V_{9/10}, V_{12/13}$	0	V_{16}	V
IF-inputs	V_{17}, V_{19}, V_{21}	0	V_{16}	V
Mixer outputs	V_{23}, V_{24}		7	V
VCO	V_4		7	V
Crystal oscillator	V_1	0	1.5	V
Junction temperature	T_j		150	°C
Storage temperature	T_{stg}	0	125	°C
Thermal resistance	$R_{th SA}$		65	K/W

All voltage values are referred to ground (pin 20, pin 27), unless stated otherwise.

All currents are designated according to the source and sink principle, i.e. if the device pin is to be regarded as a sink (the current flows into the stated pin to internal ground), it has a negative sign, and if it is a source (the current flows from V_S across the designated pin), it has a positive sign.

Operating Range

Supply voltage	V_{18}, V_{28}	4.5	5.5	V
Input frequency range of converter mixer	f_{i26}	5	9	MHz
Input frequency range of sound IF-amplifiers (- 3 dB)	$f_{i17, 19, 21}$	5	15	MHz
VCO-frequency	f_{O4}	5	20	MHz
Ambient temperature	T_A	0	70	°C

Characteristics

$V_S = 5 \text{ V}; T_A = 25 \text{ }^\circ\text{C}$

Parameter	Symbol	Limit Values			Unit	Test Condition
		min.	typ.	max.		
Current drain (analog section)	I_{18}		33	42	mA	
Current drain (digital section)	I_{28}	20	35	44	mA	
Phase-detector charge current	I_{PD}	± 32 ± 160	± 40 ± 250	± 75 ± 360	μA μA	I 5I

Mixer

Static Characteristics

Mixer output currents	$I_{23, 24}$		1.1	3.5	mA	$V_{25} = V_{26}$
Output-current difference	$I_{23} - I_{24}$		100		μA	$V_{25} = V_{26}$
Mixer inputs	$V_{25, 26}$		3		V	

Dynamic Characteristics

Input voltage for IMA > 60 dB	V_{26}		180	230	mVrms	SC1 = 6 MHz; SC2 = 6.5 MHz; SC3 = 7 MHz; $V_{SC1} = V_{SC2} = V_{SC3}$
Input-frequency band	f_{I26}	5		9	MHz	
Input-resistance	$R_{25/26}$		4		k Ω	
Output-frequency band	$f_{O23/24}$		11		MHz	
Frequency band of VCO	Δf_4	15		20	MHz	
Mixer gain	G_{Mi}	- 8	- 4	- 2	dB	$R_L = 470 \Omega$
Output-voltage range on mixer		V_{18} - 0.4		V_{18} max	V	IMA > 55 dB; $V_{25/26} < 180 \text{ mVrms}$

Characteristics (cont'd)

Parameter	Symbol	Limit Values			Unit	Test Condition
		min.	typ.	max.		

Sound IF (for all three amplifiers)

Static and Dynamic Characteristics

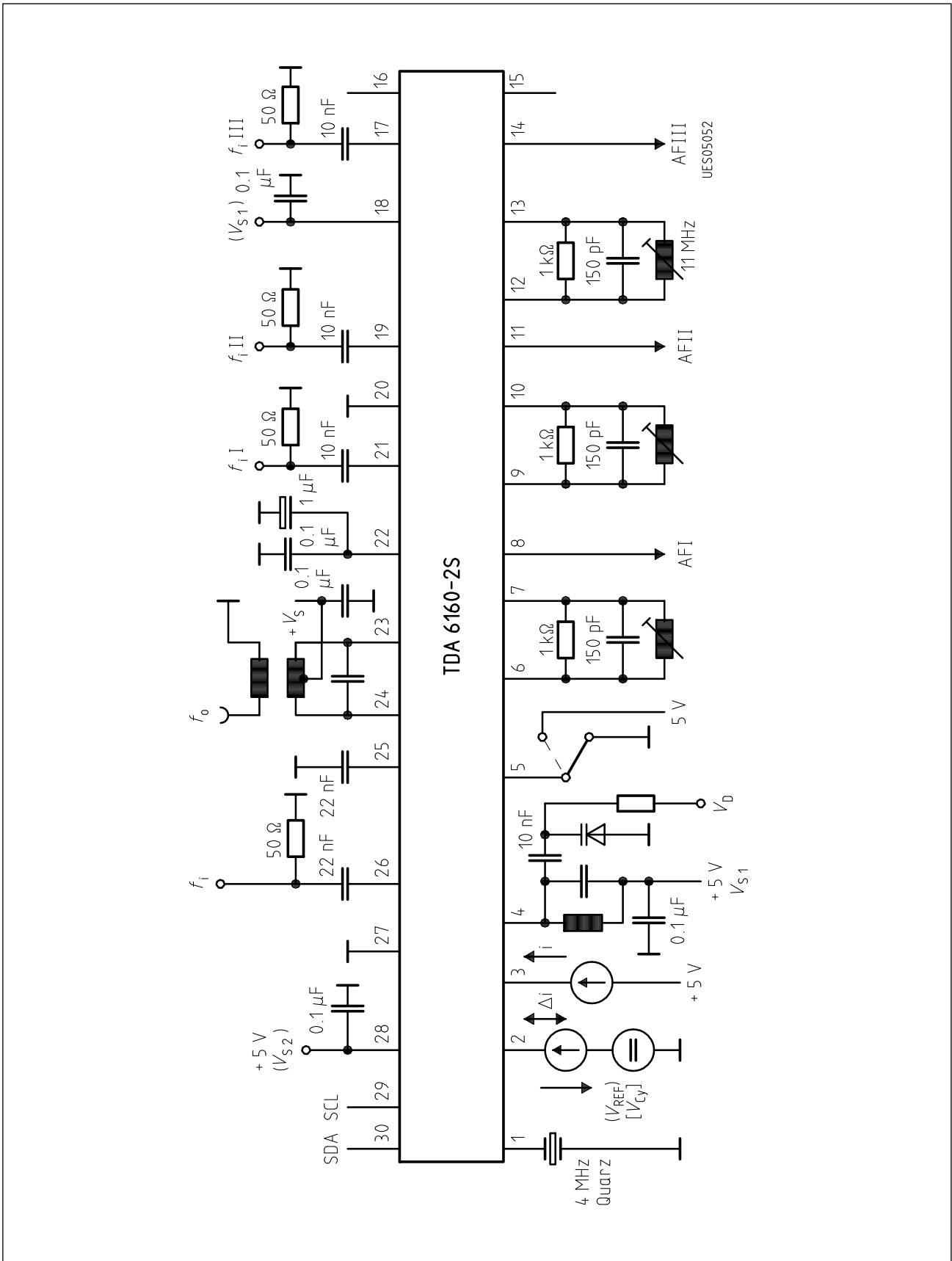
Input-frequency band	$f_{17, 19, 21}$	5		15	MHz	
Input voltage to activate limiting ($V_{qAF} - 3$ dB)	$V_{17, 19, 21}$		70	250	μ V	$f_{117, 19, 21} = 10.7$ MHz; $\Delta f = 30$ kHz; $f_{mod} = 1$ kHz
AF-output voltage	$V_{8, 11, 14}$	150	220	300	mV	$f_{117, 19, 21} = 10.7$ MHz; $\Delta f = 30$ kHz; $V_{117, 19, 21} = 10$ mV, $f_{mod} = 1$ kHz
Distortion factor	$THD_{8, 11, 14}$			0.2	%	$f_{117, 19, 21} = 10.7$ MHz; $\Delta f = 30$ kHz; $V_{117, 19, 21} = 10$ mV, $f_{mod} = 1$ kHz
AM-rejection	a_{AM}		45		dB	$V_{117, 19, 21} = 20$ to 100 mV; $m = 30\%$
AM-rejection	a_{AM}		25		dB	$V_{117} = 2$ mV; $m = 30\%$
AF-output DC-voltage			2.2		V	

Design Notes

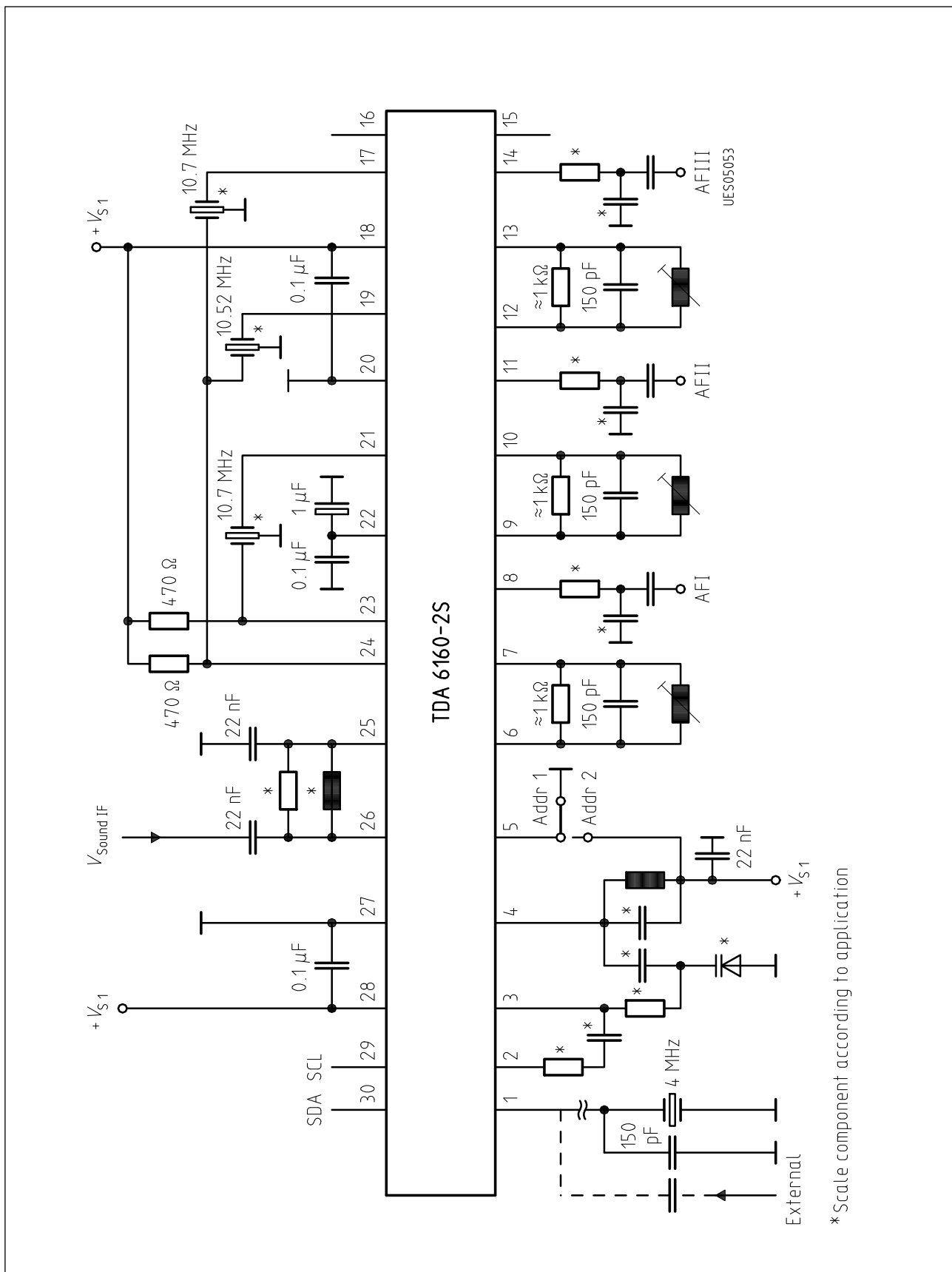
Sound IF-input resistance	$R_{17/22}$ $R_{19/22}$ $R_{21/22}$		800		Ω	
Demodulator input resistance	$R_{6/7}$ $R_{9/10}$ $R_{12/13}$		30		k Ω	
AF-output resistance	$R_{8, 11, 14}$		100		Ω	
Residual IF-voltage	$V_{IF8, 11, 14}$			5	mV	
Hum suppression (without deemphasis)	a_H		25		dB	$V_S = 5$ V; $V_H = 250$ mVpp; $f_H = 50$ Hz

Characteristics (cont'd)

Parameter	Symbol	Limit Values			Unit	Test Condition
		min.	typ.	max.		
I²C Bus (SCL, SDA)						
Edges SCL, SDA						
Rise time	t_R			1	μs	
Fall time	t_F			300	ns	
Shift clock SCL						
Frequency	f_{SCL}	0		100	kHz	
H-pulse width	t_H	4			μs	
L-pulse width	t_L	4			μs	
Start						
Setup time	t_{SUSTA}	4			μs	
Hold time	t_{HDSTA}	4			μs	
Stop						
Setup time	t_{SUSTO}	4			μs	
Bus free	t_{BUF}	4			μs	
Data change						
Setup time	t_{SUDAT}	1			μs	
Hold time	t_{HDDAT}	1			μs	
Inputs SCL, SDA						
Input voltage	V_{IH} V_{IL}	2.4		5.5 1	V V	
Input current	I_{IH} I_{IL}			10 10	μA μA	
Output SDA (open collector)						
Output voltage	V_{QH} V_{QL}	4.5		5.5 0.4	V V	$R_L = 2.5 \text{ k}\Omega$ $I_{\text{QL}} = 3 \text{ mA}$
Address byte 1 = L	V_{5L}	0		1	V	
Address byte 2 = H or open	V_{5H}	2.4		5.5	V	

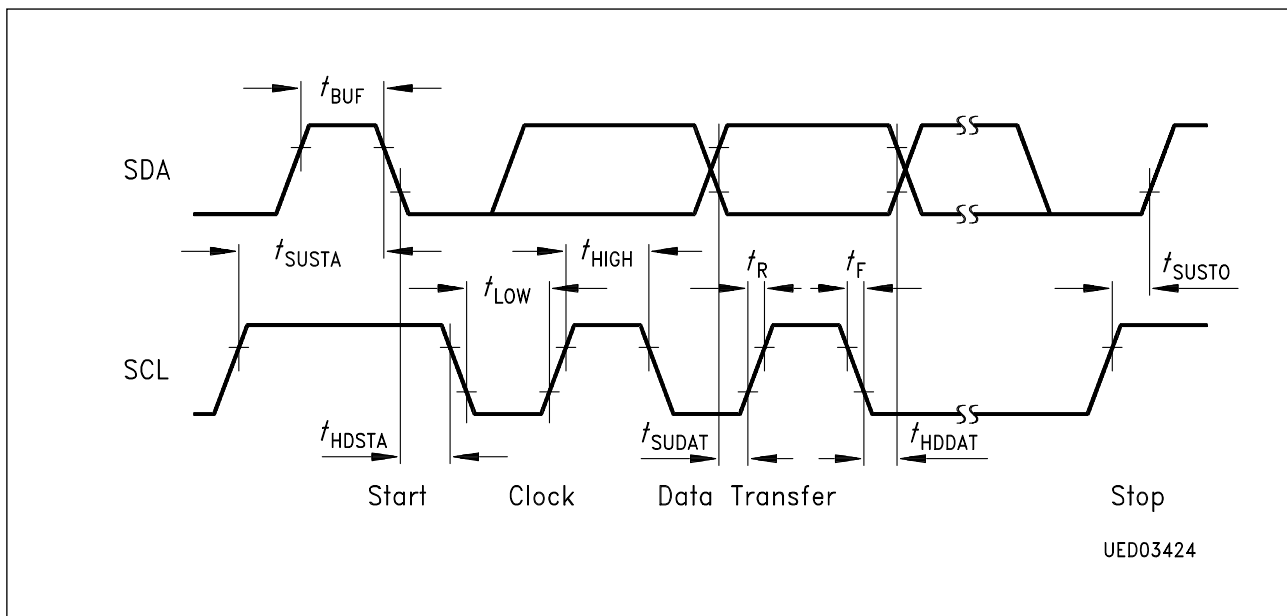


Test Circuit



* Scale component according to application

Application Circuit



I²C Bus Timing Diagram

t_{SUSTA}	Setup time (start)
t_{HDSTA}	Hold time (start)
t_H	H-pulse width (clock)
t_L	L-pulse width (clock)
t_{SUDAT}	Setup time (data change)
t_{HDDAT}	Hold time (data change)
t_{SUSTO}	Setup time (stop)
t_{BUF}	Bus free time
t_F	Fall time
t_R	Rise time

All times referred to V_{IH} and V_{IL} values