

USB3-B-S-F-TH



USB3-A-S-S-TH



USB3-A, USB3-B SERIES

USB 3.0 INTERFACES

USB3-A Mates with:
USBC3-AM

USB3-B Mates with:
USBC3-BM

SPECIFICATIONS

For complete specifications and recommended PCB layouts see www.samtec.com?USB3-A or www.samtec.com?USB3-B

Insulator Material:

Nylon 6T Blue

Contact Material:

Phosphor Copper

Plating:

Au or Sn over 50µ" (1,27µm) Ni

Shield Plating:

50µ" (1,27µm) Ni

Front Shield:

Phosphor Copper

Back Shield:

Brass

Operating Temp Range:

-50°C to +85°C

Current Rating:

1.8 A per power (VBUS) contact and ground contact, 0.25A per other contact

Voltage Rating:

100 VAC

Contact Resistance:

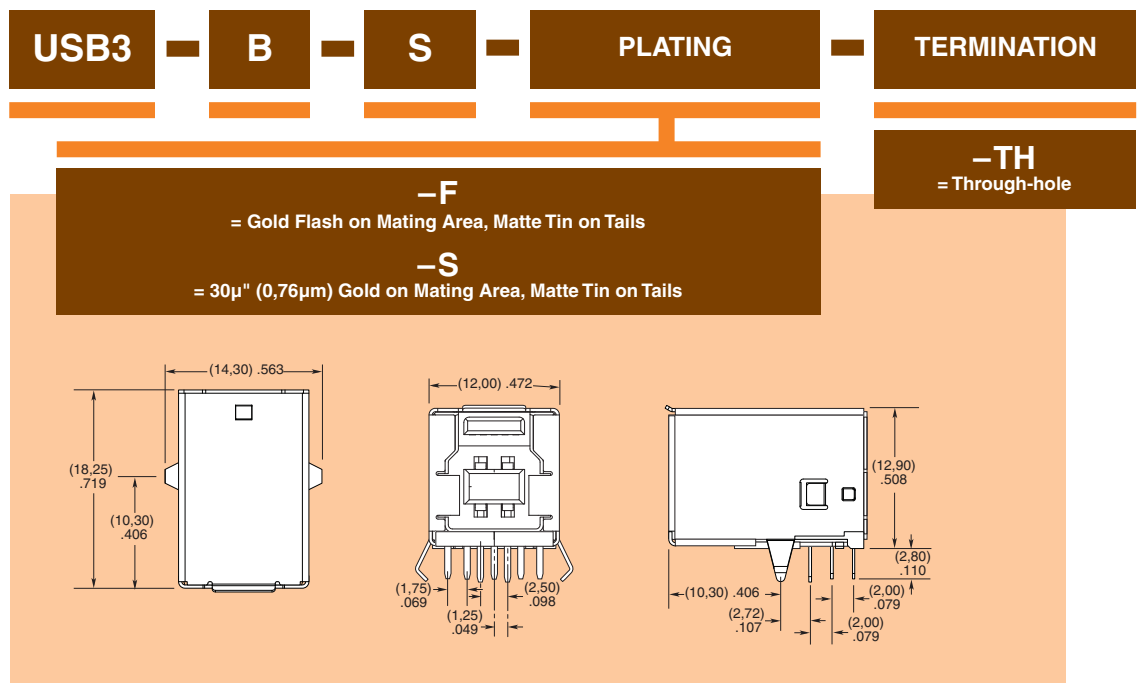
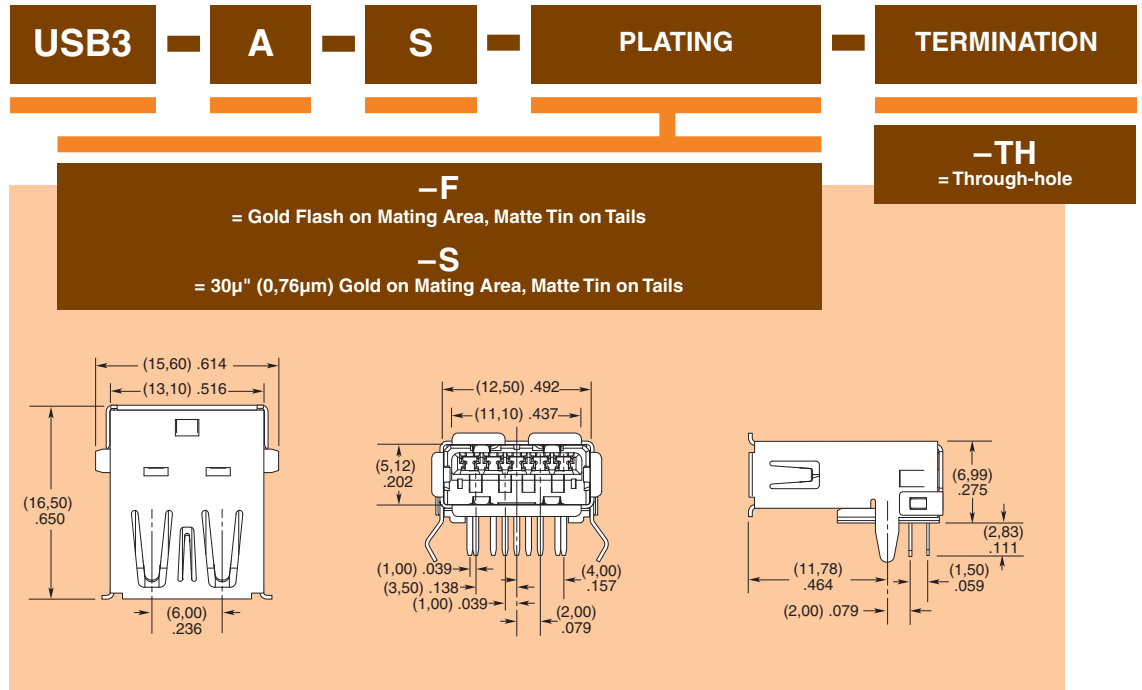
30 mΩ max power and ground, 50 mΩ max for other contact

Minimum Cycles:

5000

RoHS Compliant:

Yes



Due to technical progress, all designs, specifications and components are subject to change without notice.

WWW.SAMTEC.COM