



Zero Biased Detector With 50 Ohm BNC Male to BNC Female Video Out Operating From 0.1 MHz to 1,000 MHz

TECHNICAL DATA SHEET

PE8000-50

Zero Biased Detector With 50 Ohm BNC Male to BNC Female Video Out Operating From 0.1 MHz to 1,000 MHz

Configuration

Bias Type	Zero Biased Detector
Detector Polarity	Positive
Body Style	Straight
RF Input Connector	BNC Male
RF Input Impedance	50 Ohms
Video Output Connector	BNC Female

Electrical Specifications

Frequency Range, MHz	0.1 to 1,000
Voltage Sensitivity, mV/mW	100
Tangential Signal Sensitivity	-40
Maximum VSWR	1.2:1
Flatness, dB	± 0.4
Maximum Input Power, dBm	+20
Video Capacitance, pF	1,000

Mechanical Specifications

Temperature

Operating Range, deg C	-20 to +85
------------------------	------------

Size

Length, in [mm]	1.935 [49.15]
Width/Dia., in [mm]	0.575 [14.61]

RF Input

Type	BNC Male
------	----------

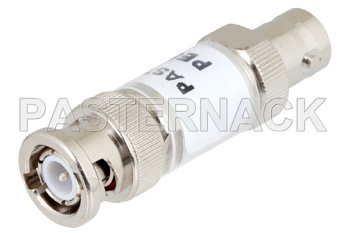
Video Output

Type	BNC Female
------	------------

Click the following link (or enter part number in "SEARCH" on website) to obtain additional part information including price, inventory and certifications: [Zero Biased Detector With 50 Ohm BNC Male to BNC Female Video Out Operating From 0.1 MHz to 1,000 MHz PE8000-50](#)

The information contained in this document is accurate to the best of our knowledge and representative of the part described herein. It may be necessary to make modifications to the part and/or the documentation of the part, in order to implement improvements. Pasternack reserves the right to make such changes as required. Unless otherwise stated, all specifications are nominal.





Zero Biased Detector With 50 Ohm BNC Male to BNC
Female Video Out Operating From 0.1 MHz to 1,000 MHz

TECHNICAL DATA SHEET

PE8000-50

Compliance Certifications (visit www.Pasternack.com for current document)

Plotted and Other Data

Notes:

Values at 25 °C, sea level

For -10dbm power level minimum output of 30mv; 0db
min output of 175mV.

Zero Biased Detector With 50 Ohm BNC Male to BNC Female Video Out Operating From 0.1 MHz to 1,000 MHz from Pasternack Enterprises has same day shipment for domestic and International orders. Our RF, microwave and fiber optic products maintain a 99% availability and are part of the broadest selection in the industry.

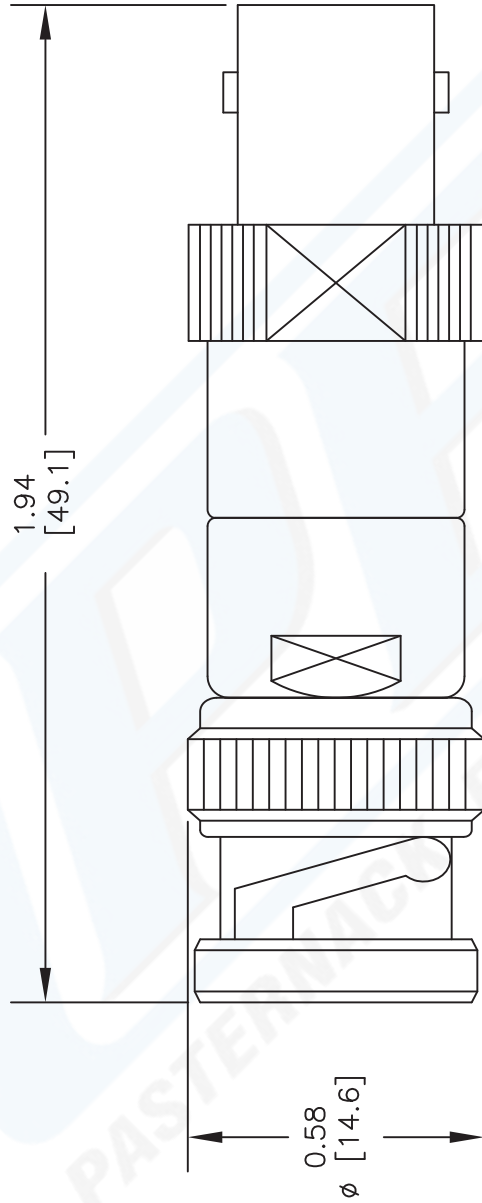
Click the following link (or enter part number in "SEARCH" on website) to obtain additional part information including price, inventory and certifications: [Zero Biased Detector With 50 Ohm BNC Male to BNC Female Video Out Operating From 0.1 MHz to 1,000 MHz PE8000-50](http://www.pasternack.com/50-ohm-bnc-zero-biased-detector-positive-0.1-mhz-1000-mhz-pe8000-50-p.aspx)

URL: <http://www.pasternack.com/50-ohm-bnc-zero-biased-detector-positive-0.1-mhz-1000-mhz-pe8000-50-p.aspx>

The information contained in this document is accurate to the best of our knowledge and representative of the part described herein. It may be necessary to make modifications to the part and/or the documentation of the part, in order to implement improvements. Pasternack reserves the right to make such changes as required. Unless otherwise stated, all specifications are nominal.

PE8000-50 CAD Drawing

Zero Biased Detector With 50 Ohm BNC Male to BNC Female
Video Out Operating From 0.1 MHz to 1,000 MHz



NOTES:
1. UNLESS OTHERWISE SPECIFIED ALL DIMENSIONS ARE NOMINAL.
2. ALL SPECIFICATIONS ARE SUBJECT TO CHANGE WITHOUT NOTICE AT ANY TIME.
3. DIMENSIONS ARE IN INCHES [mm].

DWG TITLE
PE8000-50

PASTERNAK ENTERPRISES, INC.
P.O. BOX 16759, IRVINE, CA 92623
PHONE (949) 261-1920 FAX (949) 261-7451
WEB ADDRESS: www.pasternack.com
E-MAIL ADDRESS: sales@pasternack.com
COAXIAL & FIBER OPTICS



2233

SIZE A

SCALE N/A

CAD FILE 031912

FSCM NO. 53919

REV. D