

WOG-G/WOMG-G Series

Reverse Voltage: 50 to 1000V

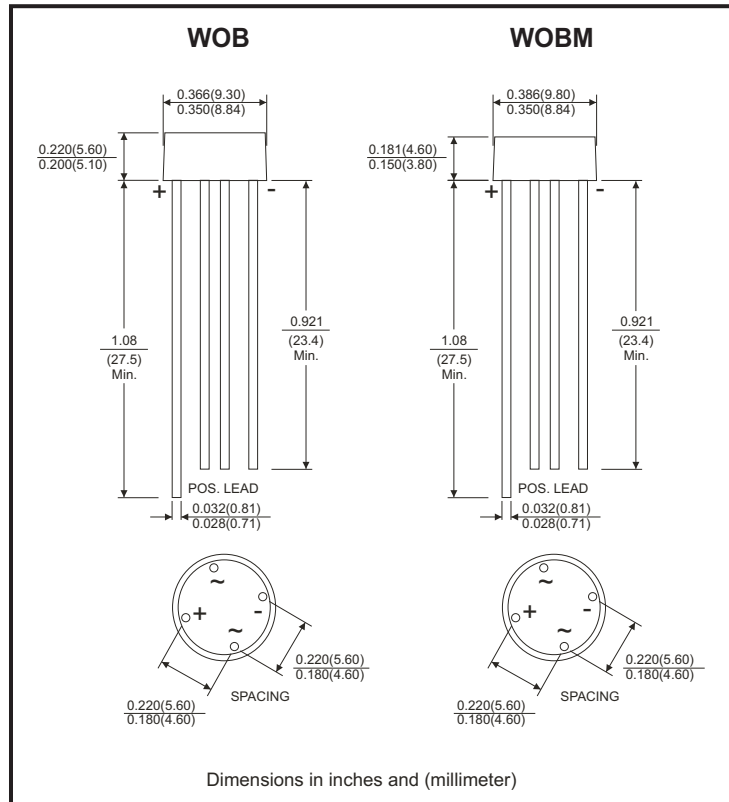
Forward Current: 1.5A

RoHS Device



Features

- Surge overload rating -50A peak.
- Ideal for printed circuit board.
- Mounting position: Any.



Maximum ratings and electrical characteristics

Rating at 25°C ambient temperature unless otherwise specified.
Single phase, half wave, 60Hz, resistive or inductive load.
For capacitive load, derate current by 20%

Parameter	Symbol	W005G-G	W01G-G	W02G-G	W04G-G	W06G-G	W08G-G	W10G-G	Unit
		W005MG-G	W01MG-G	W02MG-G	W04MG-G	W06MG-G	W08MG-G	W10MG-G	
Maximum recurrent peak reverse voltage	V_{RRM}	50	100	200	400	600	800	1000	V
Maximum RMS voltage	V_{RMS}	35	70	140	280	420	560	700	V
Maximum DC blocking voltage	V_{DC}	50	100	200	400	600	800	1000	V
Maximum average forward rectified current @ $T_A=25^\circ\text{C}$	$I_{(AV)}$	1.5							A
Peak forward surge current, 8.3ms single half sine-wave super Imposed on rated load	I_{FSM}	40							A
I^2t rating for fusing ($t < 8.3\text{ms}$)	I^2t	6.64							A^2t
Maximum forward voltage drop per element at 1.5A peak	V_F	1.1							V
Maximum reverse current at rated $T_J=25^\circ\text{C}$ DC blocking voltage per element $T_J=100^\circ\text{C}$	I_R	10 1							μA mA
Operating temperature range	T_J	-55 ~ +150							$^\circ\text{C}$
Storage temperature range	T_{STG}	-55 ~ +150							$^\circ\text{C}$

Company reserves the right to improve product design, functions and reliability without notice.

REV: C

Rating and Characteristics Curves (WOG-G/WOMG-G Series)

Fig.1 - Maximum Non-Repetitive Surge Current

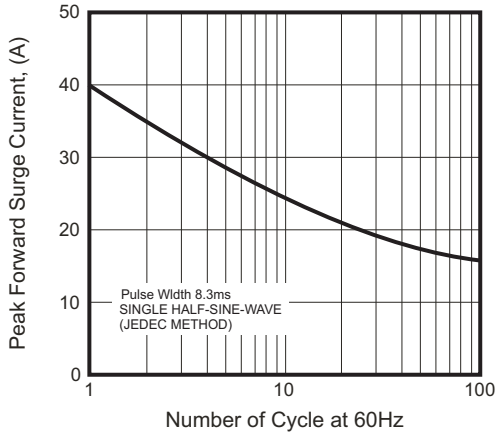


Fig.2 - Derating Curve Output Rectified Current

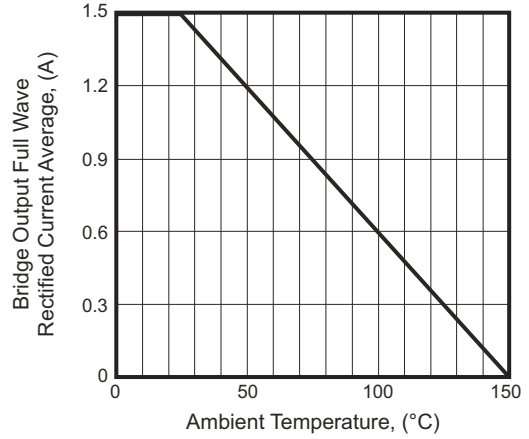


Fig.3 - Typical Forward Characteristics

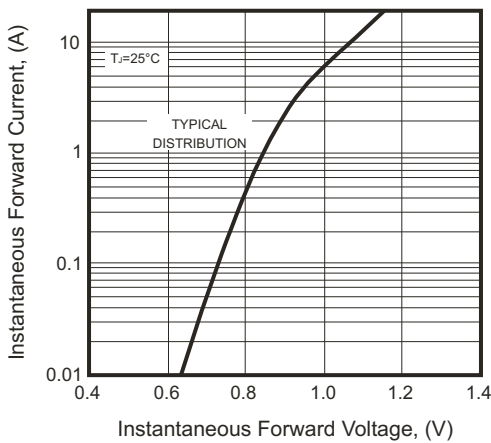
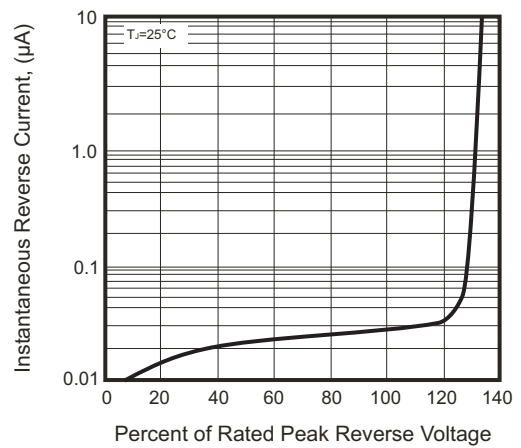


Fig.4 - Typical Reverse Characteristics



Marking Code

Part Number	Marking code
W005G-G	W005G
W01G-G	W01G
W02G-G	W02G
W04G-G	W04G
W06G-G	W06G
W08G-G	W08G
W10G-G	W10G
W005MG-G	W005MG
W01MG-G	W01MG
W02MG-G	W02MG
W04MG-G	W04MG
W06MG-G	W06MG
W08MG-G	W08MG
W10MG-G	W10MG

Standard Packaging

Case Type	BULK PACK	
	BOX (pcs)	CARTON (pcs)
WOB WOBM	1,000	10,000