

Figure 1

## 1. INTRODUCTION

Removal Tool Kits 2215038-1 are used to remove the QUADRA cage assembly from a host printed circuit (pc) board. The cage assemblies contain press fit contacts to allow solderless pc board installation. Read these instructions thoroughly before using the removal tool.

## 2. DESCRIPTION

Each removal tool kit consists of a top plate, three side plates, a removal screw, and a support tool. The support tool is inserted into the cage assembly during removal. The removal screw draws the support tool away from the printed circuit board while the side plates push against the pc board. As the support tool is drawn away from the pc board, the Quadra cage assembly is removed.

## 3. SETUP

When setting up equipment to remove the cage assembly, pay particular attention to the following:

- The removal tool must be matched to the cage assembly.
- The support tool must be properly installed, and the removal tool must be properly aligned before removing the cage assembly.

## 4. REMOVAL (Figure 2)



### CAUTION

Be certain the removal tool assembly does not contact any components on the PC board during use.

1. Place the pc board on a flat surface.
2. Insert the support tool into the cage assembly until it contacts the stops.



### NOTE

Some cage assemblies may have a flange attached. Remove flange to insert support tool.

3. Place the removal tool over the cage assembly and align the hole in the removal tool to the hole in the support tool.
4. Insert the M12 screw into the hole in the removal tool and turn clockwise by hand to start the threads.
5. With the proper size hex wrench, (not supplied) turn the screw clockwise until the cage assembly is free from the pc board.
6. Remove the support tool and cage assembly from the removal tool by turning the screw counter clockwise until the cage and support fixture are free from the removal tool.

7. Discard the cage assembly. It is not designed to be reused.
8. Check the pc board for damage to cage mounting holes, surface traces, and components.

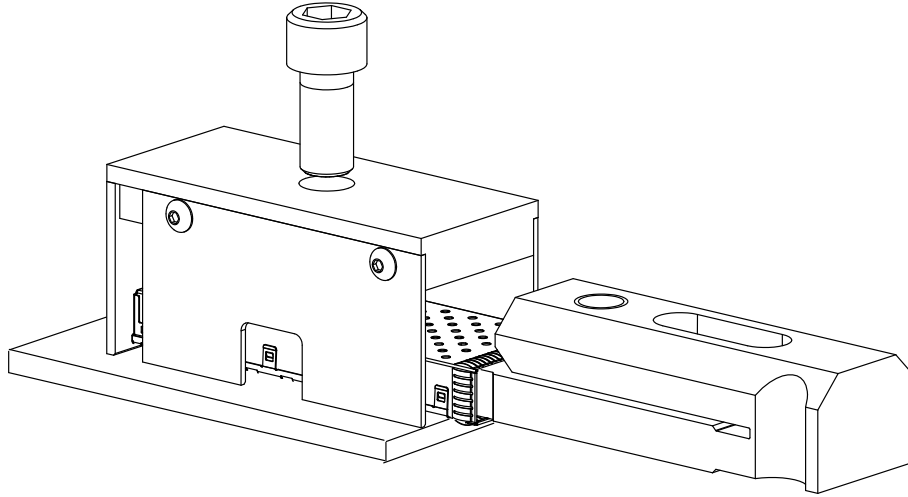


Figure 2

## 5. MAINTENANCE AND INSPECTION

TE Connectivity recommends that the tool be inspected immediately upon its arrival to ensure that it has not been damaged during shipment.

### 5.1. Daily Maintenance

It is recommended that each operator be made aware of, and responsible for, the following steps of daily maintenance:

- Remove dust, moisture, and other contaminants with a clean, soft brush, or lint-free cloth. DO NOT use objects that could damage the tool or any of its components.
- When the tool is not in use, store it in a clean, dry area.

### 5.2. Periodic Inspection

Regular inspections should be performed by quality control personnel. A record of scheduled inspections should remain with the tool or be supplied to personnel responsible for the tool. The inspection frequency should be based on the amount of use, working conditions, operator training and skill, and established company standards.

## 6. REPLACEMENT AND REPAIR

Order tools through your TE Representative, or call 1-800-526-5142, or send a facsimile of your purchase order to 717-986-7605. or write to:

CUSTOMER SERVICE (038-035)  
TYCO ELECTRONICS CORPORATION  
PO BOX 3608  
HARRISBURG PA 17105-3608

## 7. REVISION SUMMARY

- Added NOTE to Paragraph 4.2