

FEATURES

Up to 600 MHz high-performance Blackfin processor
 Two 16-bit MACs, two 40-bit ALUs, four 8-bit video ALUs, 40-bit shifter
 RISC-like register and instruction model for ease of programming and compiler-friendly support
 Advanced debug, trace, and performance monitoring
 Accepts a wide range of supply voltages for internal and I/O operations. See [Operating Conditions for ADSP-BF523/525/527 on Page 29](#) and [Operating Conditions for ADSP-BF522/524/526 on Page 27](#)
 Programmable on-chip voltage regulator (ADSP-BF523/525/527 processors only)
 289-ball (12 mm x 12 mm) and 208-ball (17 mm x 17 mm) CSP_BGA packages

MEMORY

132K bytes of on-chip memory:
 (See [Table 1 on Page 3](#) for L1 and L3 memory size details)
 External memory controller with glueless support for SDRAM and asynchronous 8-bit and 16-bit memories
 Flexible booting options from external flash, SPI, and TWI memory or from host devices including SPI, TWI, and UART
 Code Security with Lockbox[™] Secure Technology
 One-Time-Programmable (OTP) Memory
 Memory management unit providing memory protection

PERIPHERALS

USB 2.0 high speed on-the-go (OTG) with Integrated PHY
 IEEE 802.3-compliant 10/100 Ethernet MAC
 Parallel peripheral interface (PPI), supporting ITU-R 656 video data formats
 Host DMA port (HOSTDP)
 Two dual-channel, full-duplex synchronous serial ports (SPORTs), supporting eight stereo I²S channels
 12 peripheral DMAs, 2 mastered by the Ethernet MAC
 Two memory-to-memory DMAs with external request lines
 Event handler with 54 interrupt inputs
 Serial peripheral interface (SPI) compatible port
 Two UARTs with IrDA[®] support
 Two-wire interface (TWI) controller
 Eight 32-bit timers/counters with PWM support
 32-bit up/down counter with rotary support
 Real-time clock (RTC) and watchdog timer
 32-bit core timer
 48 general-purpose I/Os (GPIOs), with programmable hysteresis
 NAND flash controller (NFC)
 Debug/JTAG interface
 On-chip PLL capable of 0.5× to 64× frequency multiplication

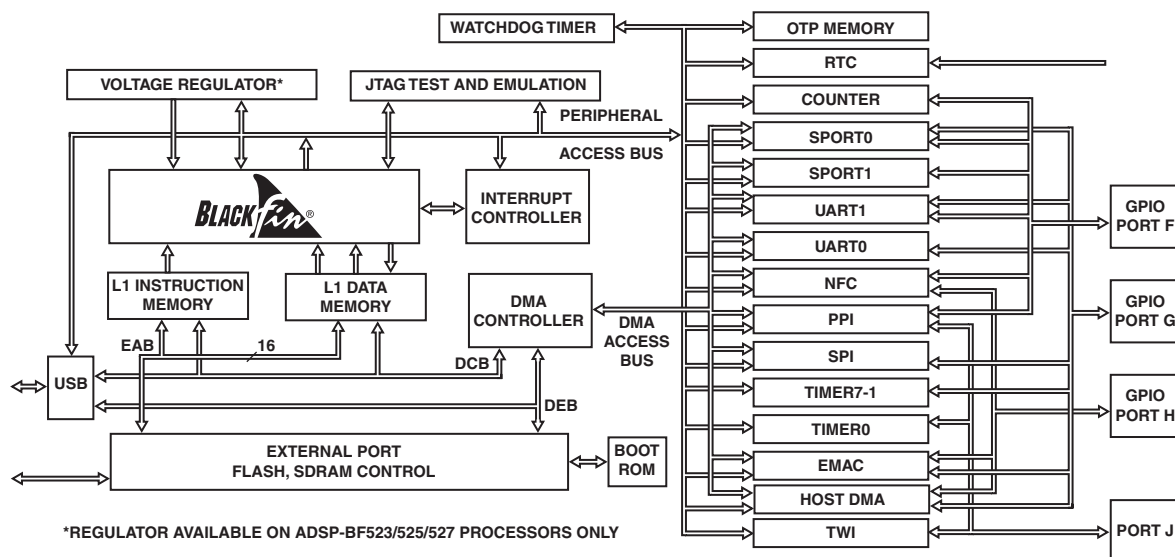


Figure 1. Processor Block Diagram

Blackfin and the Blackfin logo are registered trademarks of Analog Devices, Inc.

Rev. PrG

Information furnished by Analog Devices is believed to be accurate and reliable. However, no responsibility is assumed by Analog Devices for its use, nor for any infringements of patents or other rights of third parties that may result from its use. Specifications subject to change without notice. No license is granted by implication or otherwise under any patent or patent rights of Analog Devices. Trademarks and registered trademarks are the property of their respective owners.

TABLE OF CONTENTS

General Description	3	Bootling Modes	18
Portable Low-Power Architecture	3	Instruction Set Description	20
System Integration	3	Development Tools	21
Processor Peripherals	3	Designing an Emulator-Compatible Processor Board (Target)	21
Blackfin Processor Core	4	Related Documents	21
Memory Architecture	5	Lockbox Secure Technology Disclaimer	21
DMA Controllers	9	Signal Descriptions	22
Host DMA Port	9	Specifications	27
Real-Time Clock	10	Operating Conditions for ADSP-BF522/524/526	27
Watchdog Timer	10	Operating Conditions for ADSP-BF523/525/527	29
Timers	10	Electrical Characteristics	31
Up/Down Counter and Thumbwheel Interface	10	Absolute Maximum Ratings	36
Serial Ports	11	ESD Sensitivity	37
Serial Peripheral Interface (SPI) Port	11	Package Information	37
UART Ports	11	Timing Specifications	38
TWI Controller Interface	12	Output Drive Currents	64
10/100 Ethernet MAC	12	Test Conditions	67
Ports	12	Environmental Conditions	71
Parallel Peripheral Interface (PPI)	13	289-Ball CSP_BGA Ball assignment	72
USB On-the-go dual-role device controller	14	208-Ball CSP_BGA Ball assignment	75
Code Security with Lockbox Secure Technology	14	Outline Dimensions	78
Dynamic Power Management	14	Surface Mount Design	79
ADSP-BF523/525/527 Voltage Regulation	15	Ordering Guide	80
ADSP-BF522/524/526 Voltage Regulation	16		
Clock Signals	16		

REVISION HISTORY

2/09—Revision PrG:

Numerous small clarifications and corrections throughout document.

Updated external crystal connections guidelines in Figure 6	Page 17
Added electrical characteristics	Page 31
Added total power dissipation data	Page 33
Added maximum total source/sink (I_{OH}/I_{OL}) current to absolute maximum ratings	Page 36
Added capacitive loading data	Page 68

GENERAL DESCRIPTION

The ADSP-BF522/524/526 and ADSP-BF523/525/527 processors are members of the Blackfin family of products, incorporating the Analog Devices/Intel Micro Signal Architecture (MSA). Blackfin processors combine a dual-MAC state-of-the-art signal processing engine, the advantages of a clean, orthogonal RISC-like microprocessor instruction set, and single-instruction, multiple-data (SIMD) multimedia capabilities into a single instruction-set architecture.

The ADSP-BF522/524/526 and ADSP-BF523/525/527 processors are completely code compatible with other Blackfin processors. The ADSP-BF523/525/527 processors offer performance up to 600 MHz. The ADSP-BF522/524/526 processors offer performance up to 400 MHz and reduced static power consumption. Differences with respect to peripheral combinations are shown in [Table 1](#).

Table 1. Processor Comparison

Feature	ADSP-BF522	ADSP-BF524	ADSP-BF526	ADSP-BF523	ADSP-BF525	ADSP-BF527
Host DMA	1	1	1	1	1	1
USB	-	1	1	-	1	1
Ethernet MAC	-	-	1	-	-	1
Internal Voltage Regulator	-	-	-	1	1	1
TWI	1	1	1	1	1	1
SPORTs	2	2	2	2	2	2
UARTs	2	2	2	2	2	2
SPI	1	1	1	1	1	1
GP Timers	8	8	8	8	8	8
Watchdog Timers	1	1	1	1	1	1
RTC	1	1	1	1	1	1
Parallel Peripheral Interface	1	1	1	1	1	1
GPIOs	48	48	48	48	48	48
Memory (bytes)	L1 Instruction SRAM	48K	48K	48K	48K	48K
	L1 Instruction SRAM/Cache	16K	16K	16K	16K	16K
	L1 Data SRAM	32K	32K	32K	32K	32K
	L1 Data SRAM/Cache	32K	32K	32K	32K	32K
	L1 Scratchpad	4K	4K	4K	4K	4K
L3 Boot ROM	32K	32K	32K	32K	32K	32K
Maximum Speed Grade ¹	400 MHz			600 MHz		
Maximum System Clock Speed	80 MHz			133 MHz		
Package Options	289-Ball CSP_BGA 208-Ball CSP_BGA					

¹ Maximum speed grade is not available with every possible SCLK selection.

By integrating a rich set of industry-leading system peripherals and memory, Blackfin processors are the platform of choice for next-generation applications that require RISC-like programmability, multimedia support, and leading-edge signal processing in one integrated package.

PORTABLE LOW-POWER ARCHITECTURE

Blackfin processors provide world-class power management and performance. They are produced with a low power and low voltage design methodology and feature on-chip dynamic power management, which is the ability to vary both the voltage and frequency of operation to significantly lower overall power consumption. This capability can result in a substantial reduction in power consumption, compared with just varying the frequency of operation. This allows longer battery life for portable appliances.

SYSTEM INTEGRATION

The ADSP-BF522/524/526 and ADSP-BF523/525/527 processors are highly integrated system-on-a-chip solutions for the next generation of embedded network connected applications. By combining industry-standard interfaces with a high performance signal processing core, cost-effective applications can be developed quickly, without the need for costly external components. The system peripherals include an IEEE-compliant 802.3 10/100 Ethernet MAC, a USB 2.0 high speed OTG controller, a TWI controller, a NAND flash controller, two UART ports, an SPI port, two serial ports (SPORTs), eight general purpose 32-bit timers with PWM capability, a core timer, a real-time clock, a watchdog timer, a Host DMA (HOSTDP) interface, and a parallel peripheral interface (PPI).

PROCESSOR PERIPHERALS

The ADSP-BF522/524/526 and ADSP-BF523/525/527 processors contain a rich set of peripherals connected to the core via several high bandwidth buses, providing flexibility in system configuration as well as excellent overall system performance (see the block diagram on [Page 1](#)). These Blackfin processors contain dedicated network communication modules and high speed serial and parallel ports, an interrupt controller for flexible management of interrupts from the on-chip peripherals or external sources, and power management control functions to tailor the performance and power characteristics of the processor and system to many application scenarios.

All of the peripherals, except for the general-purpose I/O, TWI, real-time clock, and timers, are supported by a flexible DMA structure. There are also separate memory DMA channels dedicated to data transfers between the processor's various memory spaces, including external SDRAM and asynchronous memory. Multiple on-chip buses running at up to 133 MHz provide enough bandwidth to keep the processor core running along with activity on all of the on-chip and external peripherals.

The ADSP-BF523/525/527 processors include an on-chip voltage regulator in support of the processor's dynamic power management capability. The voltage regulator provides a range of core voltage levels when supplied from V_{DDEXT} . The voltage regulator can be bypassed at the user's discretion.

BLACKFIN PROCESSOR CORE

As shown in Figure 2, the Blackfin processor core contains two 16-bit multipliers, two 40-bit accumulators, two 40-bit ALUs, four video ALUs, and a 40-bit shifter. The computation units process 8-, 16-, or 32-bit data from the register file.

The compute register file contains eight 32-bit registers. When performing compute operations on 16-bit operand data, the register file operates as 16 independent 16-bit registers. All operands for compute operations come from the multiplexed register file and instruction constant fields.

Each MAC can perform a 16-bit by 16-bit multiply in each cycle, accumulating the results into the 40-bit accumulators. Signed and unsigned formats, rounding, and saturation are supported.

The ALUs perform a traditional set of arithmetic and logical operations on 16-bit or 32-bit data. In addition, many special instructions are included to accelerate various signal processing

tasks. These include bit operations such as field extract and population count, modulo 2^{32} multiply, divide primitives, saturation and rounding, and sign/exponent detection. The set of video instructions include byte alignment and packing operations, 16-bit and 8-bit adds with clipping, 8-bit average operations, and 8-bit subtract/absolute value/accumulate (SAA) operations. Also provided are the compare/select and vector search instructions.

For certain instructions, two 16-bit ALU operations can be performed simultaneously on register pairs (a 16-bit high half and 16-bit low half of a compute register). If the second ALU is used, quad 16-bit operations are possible.

The 40-bit shifter can perform shifts and rotates and is used to support normalization, field extract, and field deposit instructions.

The program sequencer controls the flow of instruction execution, including instruction alignment and decoding. For program flow control, the sequencer supports PC relative and indirect conditional jumps (with static branch prediction), and subroutine calls. Hardware is provided to support zero-overhead looping. The architecture is fully interlocked, meaning that the programmer need not manage the pipeline when executing instructions with data dependencies.

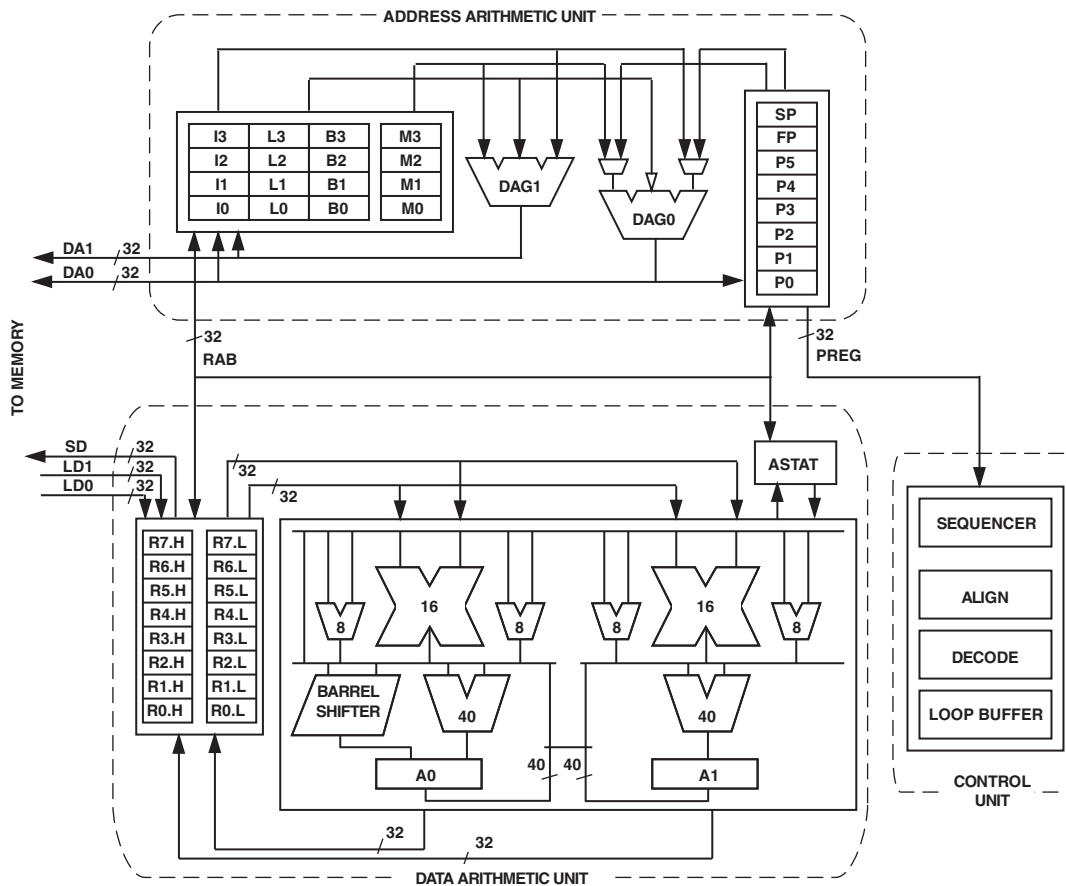


Figure 2. Blackfin Processor Core

The address arithmetic unit provides two addresses for simultaneous dual fetches from memory. It contains a multiported register file consisting of four sets of 32-bit index, modify, length, and base registers (for circular buffering), and eight additional 32-bit pointer registers (for C-style indexed stack manipulation).

Blackfin processors support a modified Harvard architecture in combination with a hierarchical memory structure. Level 1 (L1) memories are those that typically operate at the full processor speed with little or no latency. At the L1 level, the instruction memory holds instructions only. The two data memories hold data, and a dedicated scratchpad data memory stores stack and local variable information.

In addition, multiple L1 memory blocks are provided, offering a configurable mix of SRAM and cache. The memory management unit (MMU) provides memory protection for individual tasks that may be operating on the core and can protect system registers from unintended access.

The architecture provides three modes of operation: user mode, supervisor mode, and emulation mode. User mode has restricted access to certain system resources, thus providing a protected software environment, while supervisor mode has unrestricted access to the system and core resources.

The Blackfin processor instruction set has been optimized so that 16-bit opcodes represent the most frequently used instructions, resulting in excellent compiled code density. Complex DSP instructions are encoded into 32-bit opcodes, representing fully featured multifunction instructions. Blackfin processors support a limited multi-issue capability, where a 32-bit instruction can be issued in parallel with two 16-bit instructions, allowing the programmer to use many of the core resources in a single instruction cycle.

The Blackfin processor assembly language uses an algebraic syntax for ease of coding and readability. The architecture has been optimized for use in conjunction with the C/C++ compiler, resulting in fast and efficient software implementations.

MEMORY ARCHITECTURE

The Blackfin processor views memory as a single unified 4G byte address space, using 32-bit addresses. All resources, including internal memory, external memory, and I/O control registers, occupy separate sections of this common address space. The memory portions of this address space are arranged in a hierarchical structure to provide a good cost/performance balance of some very fast, low-latency on-chip memory as cache or SRAM, and larger, lower-cost and performance off-chip memory systems. See [Figure 3](#).

The on-chip L1 memory system is the highest-performance memory available to the Blackfin processor. The off-chip memory system, accessed through the external bus interface unit (EBIU), provides expansion with SDRAM, flash memory, and SRAM, optionally accessing up to 132M bytes of physical memory.

The memory DMA controller provides high-bandwidth data-movement capability. It can perform block transfers of code or data between the internal memory and the external

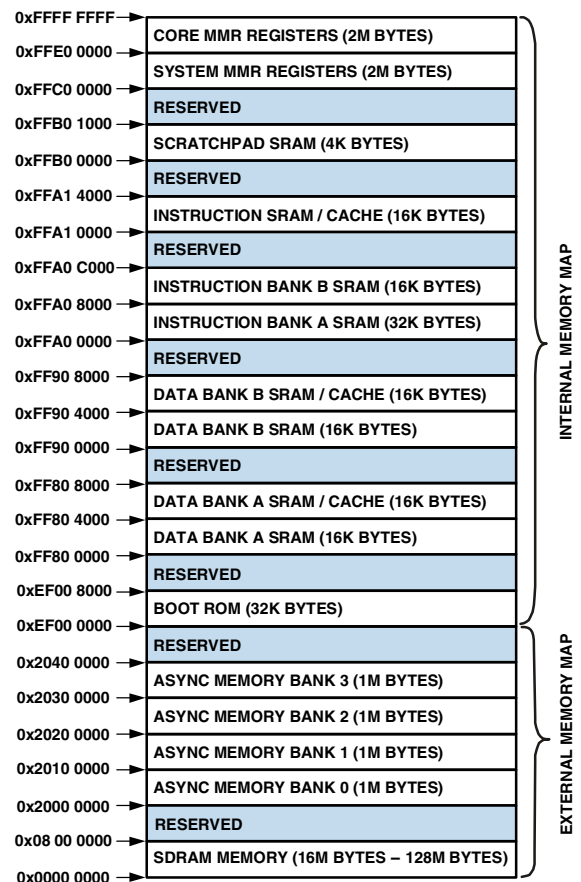


Figure 3. Internal/External Memory Map

Internal (On-Chip) Memory

The processor has three blocks of on-chip memory providing high-bandwidth access to the core.

The first block is the L1 instruction memory, consisting of 64K bytes SRAM, of which 16K bytes can be configured as a four-way set-associative cache. This memory is accessed at full processor speed.

The second on-chip memory block is the L1 data memory, consisting of up to two banks of up to 32K bytes each. Each memory bank is configurable, offering both cache and SRAM functionality. This memory block is accessed at full processor speed.

The third memory block is a 4K byte scratchpad SRAM which runs at the same speed as the L1 memories, but is only accessible as data SRAM and cannot be configured as cache memory.

External (Off-Chip) Memory

External memory is accessed via the EBIU. This 16-bit interface provides a glueless connection to a bank of synchronous DRAM (SDRAM) as well as up to four banks of asynchronous memory devices including flash, EPROM, ROM, SRAM, and memory mapped I/O devices.

The SDRAM controller can be programmed to interface to up to 128M bytes of SDRAM. A separate row can be open for each SDRAM internal bank and the SDRAM controller supports up to 4 internal SDRAM banks, improving overall performance.

The asynchronous memory controller can be programmed to control up to four banks of devices with very flexible timing parameters for a wide variety of devices. Each bank occupies a 1M byte segment regardless of the size of the devices used, so that these banks are only contiguous if each is fully populated with 1M byte of memory.

NAND Flash Controller (NFC)

The ADSP-BF522/524/526 and ADSP-BF523/525/527 processors provide a NAND flash controller (NFC). NAND flash devices provide high-density, low-cost memory. However, NAND flash devices also have long random access times, invalid blocks, and lower reliability over device lifetimes. Because of this, NAND flash is often used for read-only code storage. In this case, all DSP code can be stored in NAND flash and then transferred to a faster memory (such as SDRAM or SRAM) before execution. Another common use of NAND flash is for storage of multimedia files or other large data segments. In this case, a software file system may be used to manage reading and writing of the NAND flash device. The file system selects memory segments for storage with the goal of avoiding bad blocks and equally distributing memory accesses across all address locations. Hardware features of the NFC include:

- Support for page program, page read, and block erase of NAND flash devices, with accesses aligned to page boundaries.
- Error checking and correction (ECC) hardware that facilitates error detection and correction.
- A single 8-bit external bus interface for commands, addresses and data.
- Support for SLC (single level cell) NAND flash devices unlimited in size, with page sizes of 256 and 512 bytes. Larger page sizes can be supported in software.
- Capability of releasing external bus interface pins during long accesses.
- Support for internal bus requests of 16-bits
- DMA engine to transfer data between internal memory and NAND flash device.

One-Time Programmable Memory

The processor has 64K bits of one-time programmable non-volatile memory that can be programmed by the developer only one time. It includes the array and logic to support read access and programming. Additionally, its pages can be write protected.

OTP enables developers to store both public and private data on-chip. In addition to storing public and private key data for applications requiring security, it also allows developers to store completely user-definable data such as customer ID, product

ID, MAC address, etc. Hence generic parts can be shipped which are then programmed and protected by the developer within this non-volatile memory.

I/O Memory Space

The processor does not define a separate I/O space. All resources are mapped through the flat 32-bit address space. On-chip I/O devices have their control registers mapped into memory-mapped registers (MMRs) at addresses near the top of the 4G byte address space. These are separated into two smaller blocks, one which contains the control MMRs for all core functions, and the other which contains the registers needed for setup and control of the on-chip peripherals outside of the core. The MMRs are accessible only in supervisor mode and appear as reserved space to on-chip peripherals.

Booting

The processor contains a small on-chip boot kernel, which configures the appropriate peripheral for booting. If the processor is configured to boot from boot ROM memory space, the processor starts executing from the on-chip boot ROM. For more information, see [Booting Modes on Page 18](#).

Event Handling

The event controller on the processor handles all asynchronous and synchronous events to the processor. The processor provides event handling that supports both nesting and prioritization. Nesting allows multiple event service routines to be active simultaneously. Prioritization ensures that servicing of a higher-priority event takes precedence over servicing of a lower-priority event. The controller provides support for five different types of events:

- Emulation – An emulation event causes the processor to enter emulation mode, allowing command and control of the processor via the JTAG interface.
- $\overline{\text{RESET}}$ – This event resets the processor.
- Nonmaskable Interrupt (NMI) – The NMI event can be generated by the software watchdog timer or by the $\overline{\text{NMI}}$ input signal to the processor. The NMI event is frequently used as a power-down indicator to initiate an orderly shut-down of the system.
- Exceptions – Events that occur synchronously to program flow (in other words, the exception is taken before the instruction is allowed to complete). Conditions such as data alignment violations and undefined instructions cause exceptions.
- Interrupts – Events that occur asynchronously to program flow. They are caused by input signals, timers, and other peripherals, as well as by an explicit software instruction.

Each event type has an associated register to hold the return address and an associated return-from-event instruction. When an event is triggered, the state of the processor is saved on the supervisor stack.

The processor event controller consists of two stages, the core event controller (CEC) and the system interrupt controller (SIC). The core event controller works with the system interrupt

controller to prioritize and control all system events. Conceptually, interrupts from the peripherals enter into the SIC and are then routed directly into the general-purpose interrupts of the CEC.

Core Event Controller (CEC)

The CEC supports nine general-purpose interrupts (IVG15–7), in addition to the dedicated interrupt and exception events. Of these general-purpose interrupts, the two lowest-priority interrupts (IVG15–14) are recommended to be reserved for software interrupt handlers, leaving seven prioritized interrupt inputs to support the peripherals of the processor. [Table 2](#) describes the inputs to the CEC, identifies their names in the event vector table (EVT), and lists their priorities.

System Interrupt Controller (SIC)

The system interrupt controller provides the mapping and routing of events from the many peripheral interrupt sources to the prioritized general-purpose interrupt inputs of the CEC. Although the processor provides a default mapping, the user can alter the mappings and priorities of interrupt events by writing the appropriate values into the interrupt assignment registers (SIC_IARx). [Table 3](#) describes the inputs into the SIC and the default mappings into the CEC.

Table 2. Core Event Controller (CEC)

Priority (0 is Highest)	Event Class	EVT Entry
0	Emulation/Test Control	EMU
1	RESET	RST
2	Nonmaskable Interrupt	NMI
3	Exception	EVX
4	Reserved	—
5	Hardware Error	IVHW
6	Core Timer	IVTMR
7	General-Purpose Interrupt 7	IVG7
8	General-Purpose Interrupt 8	IVG8
9	General-Purpose Interrupt 9	IVG9
10	General-Purpose Interrupt 10	IVG10
11	General-Purpose Interrupt 11	IVG11
12	General-Purpose Interrupt 12	IVG12
13	General-Purpose Interrupt 13	IVG13
14	General-Purpose Interrupt 14	IVG14
15	General-Purpose Interrupt 15	IVG15

Table 3. System Interrupt Controller (SIC)

Peripheral Interrupt Event	General Purpose Interrupt (at RESET)	Peripheral Interrupt ID	Default Core Interrupt ID	SIC Registers	
PLL Wakeup Interrupt	IVG7	0	0	IAR0	IMASK0, ISR0, IWRO
DMA Error 0 (generic)	IVG7	1	0	IAR0	IMASK0, ISR0, IWRO
DMAR0 Block Interrupt	IVG7	2	0	IAR0	IMASK0, ISR0, IWRO
DMAR1 Block Interrupt	IVG7	3	0	IAR0	IMASK0, ISR0, IWRO
DMAR0 Overflow Error	IVG7	4	0	IAR0	IMASK0, ISR0, IWRO
DMAR1 Overflow Error	IVG7	5	0	IAR0	IMASK0, ISR0, IWRO
PPI Error	IVG7	6	0	IAR0	IMASK0, ISR0, IWRO
MAC Status	IVG7	7	0	IAR0	IMASK0, ISR0, IWRO
SPORT0 Status	IVG7	8	0	IAR1	IMASK0, ISR0, IWRO
SPORT1 Status	IVG7	9	0	IAR1	IMASK0, ISR0, IWRO
Reserved	IVG7	10	0	IAR1	IMASK0, ISR0, IWRO
Reserved	IVG7	11	0	IAR1	IMASK0, ISR0, IWRO
UART0 Status	IVG7	12	0	IAR1	IMASK0, ISR0, IWRO
UART1 Status	IVG7	13	0	IAR1	IMASK0, ISR0, IWRO
RTC	IVG8	14	1	IAR1	IMASK0, ISR0, IWRO
DMA Channel 0 (PPI/NFC)	IVG8	15	1	IAR1	IMASK0, ISR0, IWRO
DMA 3 Channel (SPORT0 RX)	IVG9	16	2	IAR2	IMASK0, ISR0, IWRO
DMA 4 Channel (SPORT0 TX)	IVG9	17	2	IAR2	IMASK0, ISR0, IWRO
DMA 5 Channel (SPORT1 RX)	IVG9	18	2	IAR2	IMASK0, ISR0, IWRO
DMA 6 Channel (SPORT1 TX)	IVG9	19	2	IAR2	IMASK0, ISR0, IWRO
TWI	IVG10	20	3	IAR2	IMASK0, ISR0, IWRO
DMA 7 Channel (SPI)	IVG10	21	3	IAR2	IMASK0, ISR0, IWRO
DMA8 Channel (UART0 RX)	IVG10	22	3	IAR2	IMASK0, ISR0, IWRO
DMA9 Channel (UART0 TX)	IVG10	23	3	IAR2	IMASK0, ISR0, IWRO

Table 3. System Interrupt Controller (SIC) (Continued)

Peripheral Interrupt Event	General Purpose Interrupt (at RESET)	Peripheral Interrupt ID	Default Core Interrupt ID	SIC Registers	
DMA10 Channel (UART1 RX)	IVG10	24	3	IAR3	IMASK0, ISRO, IWRO
DMA11 Channel (UART1 TX)	IVG10	25	3	IAR3	IMASK0, ISRO, IWRO
OTP Memory Interrupt	IVG11	26	4	IAR3	IMASK0, ISRO, IWRO
GP Counter	IVG11	27	4	IAR3	IMASK0, ISRO, IWRO
DMA1 Channel (MAC RX/HOSTDP)	IVG11	28	4	IAR3	IMASK0, ISRO, IWRO
Port H Interrupt A	IVG11	29	4	IAR3	IMASK0, ISRO, IWRO
DMA2 Channel (MAC TX/NFC)	IVG11	30	4	IAR3	IMASK0, ISRO, IWRO
Port H Interrupt B	IVG11	31	4	IAR3	IMASK0, ISRO, IWRO
Timer 0	IVG12	32	5	IAR4	IMASK1, ISR1, IWR1
Timer 1	IVG12	33	5	IAR4	IMASK1, ISR1, IWR1
Timer 2	IVG12	34	5	IAR4	IMASK1, ISR1, IWR1
Timer 3	IVG12	35	5	IAR4	IMASK1, ISR1, IWR1
Timer 4	IVG12	36	5	IAR4	IMASK1, ISR1, IWR1
Timer 5	IVG12	37	5	IAR4	IMASK1, ISR1, IWR1
Timer 6	IVG12	38	5	IAR4	IMASK1, ISR1, IWR1
Timer 7	IVG12	39	5	IAR4	IMASK1, ISR1, IWR1
Port G Interrupt A	IVG12	40	5	IAR5	IMASK1, ISR1, IWR1
Port G Interrupt B	IVG12	41	5	IAR5	IMASK1, ISR1, IWR1
MDMA Stream 0	IVG13	42	6	IAR5	IMASK1, ISR1, IWR1
MDMA Stream 1	IVG13	43	6	IAR5	IMASK1, ISR1, IWR1
Software Watchdog Timer	IVG13	44	6	IAR5	IMASK1, ISR1, IWR1
Port F Interrupt A	IVG13	45	6	IAR5	IMASK1, ISR1, IWR1
Port F Interrupt B	IVG13	46	6	IAR5	IMASK1, ISR1, IWR1
SPI Status	IVG7	47	0	IAR5	IMASK1, ISR1, IWR1
NFC Status	IVG7	48	0	IAR6	IMASK1, ISR1, IWR1
HOSTDP Status	IVG7	49	0	IAR6	IMASK1, ISR1, IWR1
Host Read Done	IVG7	50	0	IAR6	IMASK1, ISR1, IWR1
USB_EINT Interrupt	IVG10	51	3	IAR6	IMASK1, ISR1, IWR1
USB_INT0 Interrupt	IVG10	52	3	IAR6	IMASK1, ISR1, IWR1
USB_INT1 Interrupt	IVG10	53	3	IAR6	IMASK1, ISR1, IWR1
USB_INT2 Interrupt	IVG10	54	3	IAR6	IMASK1, ISR1, IWR1
USB_DMAINT Interrupt	IVG10	55	3	IAR6	IMASK1, ISR1, IWR1

Event Control

The processor provides a very flexible mechanism to control the processing of events. In the CEC, three registers are used to coordinate and control events. Each register is 16 bits wide.

- CEC interrupt latch register (ILAT) – Indicates when events have been latched. The appropriate bit is set when the processor has latched the event and cleared when the event has been accepted into the system. This register is updated automatically by the controller, but it may be written only when its corresponding IMASK bit is cleared.
- CEC interrupt mask register (IMASK) – Controls the masking and unmasking of individual events. When a bit is set in the IMASK register, that event is unmasked and is processed by the CEC when asserted. A cleared bit in the

IMASK register masks the event, preventing the processor from servicing the event even though the event may be latched in the ILAT register. This register may be read or written while in supervisor mode. (Note that general-purpose interrupts can be globally enabled and disabled with the STI and CLI instructions, respectively.)

- CEC interrupt pending register (IPEND) – The IPEND register keeps track of all nested events. A set bit in the IPEND register indicates the event is currently active or nested at some level. This register is updated automatically by the controller but may be read while in supervisor mode.

The SIC allows further control of event processing by providing three pairs of 32-bit interrupt control and status registers. Each register contains a bit corresponding to each of the peripheral interrupt events shown in [Table 3 on Page 7](#).

- SIC interrupt mask registers (SIC_IMASKx) – Control the masking and unmasking of each peripheral interrupt event. When a bit is set in these registers, that peripheral event is unmasked and is processed by the system when asserted. A cleared bit in the register masks the peripheral event, preventing the processor from servicing the event.
- SIC interrupt status registers (SIC_ISRx) – As multiple peripherals can be mapped to a single event, these registers allow the software to determine which peripheral event source triggered the interrupt. A set bit indicates the peripheral is asserting the interrupt, and a cleared bit indicates the peripheral is not asserting the event.
- SIC interrupt wakeup enable registers (SIC_IWRx) – By enabling the corresponding bit in these registers, a peripheral can be configured to wake up the processor, should the core be idled or in sleep mode when the event is generated. For more information see [Dynamic Power Management on Page 14](#).

Because multiple interrupt sources can map to a single general-purpose interrupt, multiple pulse assertions can occur simultaneously, before or during interrupt processing for an interrupt event already detected on this interrupt input. The IPEND register contents are monitored by the SIC as the interrupt acknowledgement.

The appropriate ILAT register bit is set when an interrupt rising edge is detected (detection requires two core clock cycles). The bit is cleared when the respective IPEND register bit is set. The IPEND bit indicates that the event has entered into the processor pipeline. At this point the CEC recognizes and queues the next rising edge event on the corresponding event input. The minimum latency from the rising edge transition of the general-purpose interrupt to the IPEND output asserted is three core clock cycles; however, the latency can be much higher, depending on the activity within and the state of the processor.

DMA CONTROLLERS

The processor has multiple, independent DMA channels that support automated data transfers with minimal overhead for the processor core. DMA transfers can occur between the processor's internal memories and any of its DMA-capable peripherals. Additionally, DMA transfers can be accomplished between any of the DMA-capable peripherals and external devices connected to the external memory interfaces, including the SDRAM controller and the asynchronous memory controller. DMA-capable peripherals include the Ethernet MAC, NFC, HOSTDP, USB, SPORTs, SPI port, UARTs, and PPI. Each individual DMA-capable peripheral has at least one dedicated DMA channel.

The processor DMA controller supports both one-dimensional (1-D) and two-dimensional (2-D) DMA transfers. DMA transfer initialization can be implemented from registers or from sets of parameters called descriptor blocks.

The 2-D DMA capability supports arbitrary row and column sizes up to 64K elements by 64K elements, and arbitrary row and column step sizes up to $\pm 32K$ elements. Furthermore, the column step size can be less than the row step size, allowing implementation of interleaved data streams. This feature is especially useful in video applications where data can be de-interleaved on the fly.

Examples of DMA types supported by the processor DMA controller include:

- A single, linear buffer that stops upon completion
- A circular, auto-refreshing buffer that interrupts on each full or fractionally full buffer
- 1-D or 2-D DMA using a linked list of descriptors
- 2-D DMA using an array of descriptors, specifying only the base DMA address within a common page

In addition to the dedicated peripheral DMA channels, there are two memory DMA channels provided for transfers between the various memories of the processor system. This enables transfers of blocks of data between any of the memories—including external SDRAM, ROM, SRAM, and flash memory—with minimal processor intervention. Memory DMA transfers can be controlled by a very flexible descriptor-based methodology or by a standard register-based autobuffer mechanism.

The processor also has an external DMA controller capability via dual external DMA request pins when used in conjunction with the external bus interface unit (EBIU). This functionality can be used when a high speed interface is required for external FIFOs and high bandwidth communications peripherals such as USB 2.0. It allows control of the number of data transfers for memory DMA. The number of transfers per edge is programmable. This feature can be programmed to allow memory DMA to have an increased priority on the external bus relative to the core.

HOST DMA PORT

The host port interface allows an external host to be a DMA master to transfer data in and out of the device. The host device masters the transactions and the Blackfin is the DMA slave.

The host port is enabled through the PAB interface. Once enabled, the DMA is controlled by the external host, which can then program the DMA to send/receive data to any valid internal or external memory location.

The host port interface controller has the following features.

- Allows external master to configure DMA read/write data transfers and read port status.
- Uses asynchronous memory protocol for external interface.
- 8-/16-bit external data interface to host device.
- Half duplex operation
- Little-/big-endian data transfer.
- Acknowledge mode allows flow control on host transactions.
- Interrupt mode guarantees a burst of FIFO depth host transactions.

REAL-TIME CLOCK

The real-time clock (RTC) provides a robust set of digital watch features, including current time, stopwatch, and alarm. The RTC is clocked by a 32.768 kHz crystal external to the Blackfin processor. The RTC peripheral has dedicated power supply pins so that it can remain powered up and clocked even when the rest of the processor is in a low-power state. The RTC provides several programmable interrupt options, including interrupt per second, minute, hour, or day clock ticks, interrupt on programmable stopwatch countdown, or interrupt at a programmed alarm time.

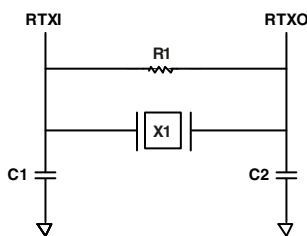
The 32.768 kHz input clock frequency is divided down to a 1 Hz signal by a prescaler. The counter function of the timer consists of four counters: a 60-second counter, a 60-minute counter, a 24-hour counter, and an 32,768-day counter.

When enabled, the alarm function generates an interrupt when the output of the timer matches the programmed value in the alarm control register. There are two alarms: The first alarm is for a time of day. The second alarm is for a day and time of that day.

The stopwatch function counts down from a programmed value, with one-second resolution. When the stopwatch is enabled and the counter underflows, an interrupt is generated.

Like the other peripherals, the RTC can wake up the processor from sleep mode upon generation of any RTC wakeup event. Additionally, an RTC wakeup event can wake up the processor from deep sleep mode or cause a transition from the hibernate state.

Connect RTC pins RTXI and RTXO with external components as shown in [Figure 4](#).



SUGGESTED COMPONENTS:

X1 = ECLIPTEK EC38J (THROUGH-HOLE PACKAGE) OR
EPSON MC405 12 pF LOAD (SURFACE-MOUNT PACKAGE)
C1 = 22 pF
C2 = 22 pF
R1 = 10 MΩ

NOTE: C1 AND C2 ARE SPECIFIC TO CRYSTAL SPECIFIED FOR X1.
CONTACT CRYSTAL MANUFACTURER FOR DETAILS. C1 AND C2
SPECIFICATIONS ASSUME BOARD TRACE CAPACITANCE OF 3 pF.

Figure 4. External Components for RTC

WATCHDOG TIMER

The processor includes a 32-bit timer that can be used to implement a software watchdog function. A software watchdog can improve system availability by forcing the processor to a known state through generation of a hardware reset, nonmaskable interrupt (NMI), or general-purpose interrupt, if the timer

expires before being reset by software. The programmer initializes the count value of the timer, enables the appropriate interrupt, then enables the timer. Thereafter, the software must reload the counter before it counts to zero from the programmed value. This protects the system from remaining in an unknown state where software, which would normally reset the timer, has stopped running due to an external noise condition or software error.

If configured to generate a hardware reset, the watchdog timer resets both the core and the processor peripherals. After a reset, software can determine if the watchdog was the source of the hardware reset by interrogating a status bit in the watchdog timer control register.

The timer is clocked by the system clock (SCLK), at a maximum frequency of f_{SCLK} .

TIMERS

There are nine general-purpose programmable timer units in the processors. Eight timers have an external pin that can be configured either as a pulse width modulator (PWM) or timer output, as an input to clock the timer, or as a mechanism for measuring pulse widths and periods of external events. These timers can be synchronized to an external clock input to the several other associated PF pins, an external clock input to the PPI_CLK input pin, or to the internal SCLK.

The timer units can be used in conjunction with the two UARTs to measure the width of the pulses in the data stream to provide a software auto-baud detect function for the respective serial channels.

The timers can generate interrupts to the processor core providing periodic events for synchronization, either to the system clock or to a count of external signals.

In addition to the eight general-purpose programmable timers, a ninth timer is also provided. This extra timer is clocked by the internal processor clock and is typically used as a system tick clock for generation of operating system periodic interrupts.

UP/DOWN COUNTER AND THUMBWHEEL INTERFACE

A 32-bit up/down counter is provided that can sense 2-bit quadrature or binary codes as typically emitted by industrial drives or manual thumb wheels. The counter can also operate in general-purpose up/down count modes. Then, count direction is either controlled by a level-sensitive input pin or by two edge detectors.

A third input can provide flexible zero marker support and can alternatively be used to input the push-button signal of thumb wheels. All three pins have a programmable debouncing circuit.

An internal signal forwarded to the timer unit enables one timer to measure the intervals between count events. Boundary registers enable auto-zero operation or simple system warning by interrupts when programmable count values are exceeded.

SERIAL PORTS

The processors incorporate two dual-channel synchronous serial ports (SPORT0 and SPORT1) for serial and multiprocessor communications. The SPORTs support the following features:

- I²S capable operation.
- Bidirectional operation – Each SPORT has two sets of independent transmit and receive pins, enabling eight channels of I²S stereo audio.
- Buffered (8-deep) transmit and receive ports – Each port has a data register for transferring data words to and from other processor components and shift registers for shifting data in and out of the data registers.
- Clocking – Each transmit and receive port can either use an external serial clock or generate its own, in frequencies ranging from ($f_{SCLK}/131,070$) Hz to ($f_{SCLK}/2$) Hz.
- Word length – Each SPORT supports serial data words from 3 to 32 bits in length, transferred most-significant-bit first or least-significant-bit first.
- Framing – Each transmit and receive port can run with or without frame sync signals for each data word. Frame sync signals can be generated internally or externally, active high or low, and with either of two pulse widths and early or late frame sync.
- Companding in hardware – Each SPORT can perform A-law or μ -law companding according to ITU recommendation G.711. Companding can be selected on the transmit and/or receive channel of the SPORT without additional latencies.
- DMA operations with single-cycle overhead – Each SPORT can automatically receive and transmit multiple buffers of memory data. The processor can link or chain sequences of DMA transfers between a SPORT and memory.
- Interrupts – Each transmit and receive port generates an interrupt upon completing the transfer of a data word or after transferring an entire data buffer, or buffers, through DMA.
- Multichannel capability – Each SPORT supports 128 channels out of a 1024-channel window and is compatible with the H.100, H.110, MVIP-90, and HMVIP standards.

SERIAL PERIPHERAL INTERFACE (SPI) PORT

The processors have an SPI-compatible port that enables the processor to communicate with multiple SPI-compatible devices.

The SPI interface uses three pins for transferring data: two data pins (Master Output-Slave Input, MOSI, and Master Input-Slave Output, MISO) and a clock pin (serial clock, SCK). An SPI chip select input pin (SPISS) lets other SPI devices select the processor, and seven SPI chip select output pins (SPISEL7-1) let the processor select other SPI devices. The SPI select pins are reconfigured general-purpose I/O pins. Using these pins, the

SPI port provides a full-duplex, synchronous serial interface, which supports both master/slave modes and multimaster environments.

The SPI port's baud rate and clock phase/polarities are programmable, and it has an integrated DMA channel, configurable to support transmit or receive data streams. The SPI's DMA channel can only service unidirectional accesses at any given time.

The SPI port's clock rate is calculated as:

$$SPI \text{ Clock Rate} = \frac{f_{SCLK}}{2 \times SPI_BAUD}$$

Where the 16-bit SPI_BAUD register contains a value of 2 to 65,535.

During transfers, the SPI port simultaneously transmits and receives by serially shifting data in and out on its two serial data lines. The serial clock line synchronizes the shifting and sampling of data on the two serial data lines.

UART PORTS

The processors provide two full-duplex universal asynchronous receiver/transmitter (UART) ports, which are fully compatible with PC-standard UARTs. Each UART port provides a simplified UART interface to other peripherals or hosts, supporting full-duplex, DMA-supported, asynchronous transfers of serial data. A UART port includes support for five to eight data bits, one or two stop bits, and none, even, or odd parity. Each UART port supports two modes of operation:

- PIO (programmed I/O) – The processor sends or receives data by writing or reading I/O mapped UART registers. The data is double-buffered on both transmit and receive.
- DMA (direct memory access) – The DMA controller transfers both transmit and receive data. This reduces the number and frequency of interrupts required to transfer data to and from memory. The UART has two dedicated DMA channels, one for transmit and one for receive. These DMA channels have lower default priority than most DMA channels because of their relatively low service rates.

Each UART port's baud rate, serial data format, error code generation and status, and interrupts are programmable:

- Supporting bit rates ranging from ($f_{SCLK}/1,048,576$) to ($f_{SCLK}/16$) bits per second.
- Supporting data formats from seven to 12 bits per frame.
- Both transmit and receive operations can be configured to generate maskable interrupts to the processor.

The UART port's clock rate is calculated as:

$$UART \text{ Clock Rate} = \frac{f_{SCLK}}{16 \times UART_Divisor}$$

Where the 16-bit UART_Divisor comes from the UART_DLH (most significant 8 bits) and UART_DLL (least significant 8 bits) registers.

In conjunction with the general-purpose timer functions, auto-baud detection is supported.

The capabilities of the UARTs are further extended with support for the infrared data association (IrDA®) serial infrared physical layer link specification (SIR) protocol.

TWI CONTROLLER INTERFACE

The processors include a two wire interface (TWI) module for providing a simple exchange method of control data between multiple devices. The TWI is compatible with the widely used I²C® bus standard. The TWI module offers the capabilities of simultaneous master and slave operation, support for both 7-bit addressing and multimedia data arbitration. The TWI interface utilizes two pins for transferring clock (SCL) and data (SDA) and supports the protocol at speeds up to 400k bits/sec. The TWI interface pins are compatible with 5 V logic levels.

Additionally, the TWI module is fully compatible with serial camera control bus (SCCB) functionality for easier control of various CMOS camera sensor devices.

10/100 ETHERNET MAC

The ADSP-BF526 and ADSP-BF527 processors offer the capability to directly connect to a network by way of an embedded Fast Ethernet Media Access Controller (MAC) that supports both 10-BaseT (10M bits/sec) and 100-BaseT (100M bits/sec) operation. The 10/100 Ethernet MAC peripheral on the processor is fully compliant to the IEEE 802.3-2002 standard and it provides programmable features designed to minimize supervision, bus use, or message processing by the rest of the processor system.

Some standard features are:

- Support of MII and RMII protocols for external PHYs.
- Full duplex and half duplex modes.
- Data framing and encapsulation: generation and detection of preamble, length padding, and FCS.
- Media access management (in half-duplex operation): collision and contention handling, including control of retransmission of collision frames and of back-off timing.
- Flow control (in full-duplex operation): generation and detection of PAUSE frames.
- Station management: generation of MDC/MDIO frames for read-write access to PHY registers.
- SCLK operating range down to 25 MHz (active and sleep operating modes).
- Internal loopback from Tx to Rx.

Some advanced features are:

- Buffered crystal output to external PHY for support of a single crystal system.
- Automatic checksum computation of IP header and IP payload fields of Rx frames.
- Independent 32-bit descriptor-driven Rx and Tx DMA channels.

- Frame status delivery to memory via DMA, including frame completion semaphores, for efficient buffer queue management in software.
- Tx DMA support for separate descriptors for MAC header and payload to eliminate buffer copy operations.
- Convenient frame alignment modes support even 32-bit alignment of encapsulated Rx or Tx IP packet data in memory after the 14-byte MAC header.
- Programmable Ethernet event interrupt supports any combination of:
 - Any selected Rx or Tx frame status conditions.
 - PHY interrupt condition.
 - Wakeup frame detected.
 - Any selected MAC management counter(s) at half-full.
 - DMA descriptor error.
- 47 MAC management statistics counters with selectable clear-on-read behavior and programmable interrupts on half maximum value.
- Programmable Rx address filters, including a 64-bin address hash table for multicast and/or unicast frames, and programmable filter modes for broadcast, multicast, unicast, control, and damaged frames.
- Advanced power management supporting unattended transfer of Rx and Tx frames and status to/from external memory via DMA during low-power sleep mode.
- System wakeup from sleep operating mode upon magic packet or any of four user-definable wakeup frame filters.
- Support for 802.3Q tagged VLAN frames.
- Programmable MDC clock rate and preamble suppression.
- In RMII operation, seven unused pins may be configured as GPIO pins for other purposes.

PORTS

Because of the rich set of peripherals, the processor groups the many peripheral signals to four ports—Port F, Port G, Port H, and Port J. Most of the associated pins are shared by multiple signals. The ports function as multiplexer controls.

General-Purpose I/O (GPIO)

The processor has 48 bidirectional, general-purpose I/O (GPIO) pins allocated across three separate GPIO modules—PORTFIO, PORTGIO, and PORTHIO, associated with Port F, Port G, and Port H, respectively. Port J does not provide GPIO functionality. Each GPIO-capable pin shares functionality with other processor peripherals via a multiplexing scheme; however, the GPIO functionality is the default state of the device upon power-up. Neither GPIO output nor input drivers are active by

default. Each general-purpose port pin can be individually controlled by manipulation of the port control, status, and interrupt registers:

- GPIO direction control register – Specifies the direction of each individual GPIO pin as input or output.
- GPIO control and status registers – The processor employs a “write one to modify” mechanism that allows any combination of individual GPIO pins to be modified in a single instruction, without affecting the level of any other GPIO pins. Four control registers are provided. One register is written in order to set pin values, one register is written in order to clear pin values, one register is written in order to toggle pin values, and one register is written in order to specify a pin value. Reading the GPIO status register allows software to interrogate the sense of the pins.
- GPIO interrupt mask registers – The two GPIO interrupt mask registers allow each individual GPIO pin to function as an interrupt to the processor. Similar to the two GPIO control registers that are used to set and clear individual pin values, one GPIO interrupt mask register sets bits to enable interrupt function, and the other GPIO interrupt mask register clears bits to disable interrupt function. GPIO pins defined as inputs can be configured to generate hardware interrupts, while output pins can be triggered by software interrupts.
- GPIO interrupt sensitivity registers – The two GPIO interrupt sensitivity registers specify whether individual pins are level- or edge-sensitive and specify—if edge-sensitive—whether just the rising edge or both the rising and falling edges of the signal are significant. One register selects the type of sensitivity, and one register selects which edges are significant for edge-sensitivity.

PARALLEL PERIPHERAL INTERFACE (PPI)

The processor provides a parallel peripheral interface (PPI) that can connect directly to parallel A/D and D/A converters, video encoders and decoders, and other general-purpose peripherals. The PPI consists of a dedicated input clock pin, up to three frame synchronization pins, and up to 16 data pins. The input clock supports parallel data rates up to half the system clock rate and the synchronization signals can be configured as either inputs or outputs.

The PPI supports a variety of general-purpose and ITU-R 656 modes of operation. In general-purpose mode, the PPI provides half-duplex, bidirectional data transfer with up to 16 bits of data. Up to three frame synchronization signals are also provided. In ITU-R 656 mode, the PPI provides half-duplex bidirectional transfer of 8- or 10-bit video data. Additionally, on-chip decode of embedded start-of-line (SOL) and start-of-field (SOF) preamble packets is supported.

General-Purpose Mode Descriptions

The general-purpose modes of the PPI are intended to suit a wide variety of data capture and transmission applications. Three distinct submodes are supported:

1. Input mode – Frame syncs and data are inputs into the PPI.
2. Frame capture mode – Frame syncs are outputs from the PPI, but data are inputs.
3. Output mode – Frame syncs and data are outputs from the PPI.

Input Mode

Input mode is intended for ADC applications, as well as video communication with hardware signaling. In its simplest form, PPI_FS1 is an external frame sync input that controls when to read data. The PPI_DELAY MMR allows for a delay (in PPI_CLK cycles) between reception of this frame sync and the initiation of data reads. The number of input data samples is user programmable and defined by the contents of the PPI_COUNT register. The PPI supports 8-bit and 10-bit through 16-bit data, programmable in the PPI_CONTROL register.

Frame Capture Mode

Frame capture mode allows the video source(s) to act as a slave (for frame capture for example). The ADSP-BF522/524/526 and ADSP-BF523/525/527 processors control when to read from the video source(s). PPI_FS1 is an HSYNC output and PPI_FS2 is a VSYNC output.

Output Mode

Output mode is used for transmitting video or other data with up to three output frame syncs. Typically, a single frame sync is appropriate for data converter applications, whereas two or three frame syncs could be used for sending video with hardware signaling.

ITU-R 656 Mode Descriptions

The ITU-R 656 modes of the PPI are intended to suit a wide variety of video capture, processing, and transmission applications. Three distinct submodes are supported:

1. Active video only mode
2. Vertical blanking only mode
3. Entire field mode

Active Video Mode

Active video only mode is used when only the active video portion of a field is of interest and not any of the blanking intervals. The PPI does not read in any data between the end of active video (EAV) and start of active video (SAV) preamble symbols, or any data present during the vertical blanking intervals. In this mode, the control byte sequences are not stored to memory; they are filtered by the PPI. After synchronizing to the start of Field 1, the PPI ignores incoming samples until it sees an SAV code. The user specifies the number of active video lines per frame (in PPI_COUNT register).

Vertical Blanking Interval Mode

In this mode, the PPI only transfers vertical blanking interval (VBI) data.

Entire Field Mode

In this mode, the entire incoming bit stream is read in through the PPI. This includes active video, control preamble sequences, and ancillary data that may be embedded in horizontal and vertical blanking intervals. Data transfer starts immediately after synchronization to Field 1. Data is transferred to or from the synchronous channels through eight DMA engines that work autonomously from the processor core.

USB ON-THE-GO DUAL-ROLE DEVICE CONTROLLER

The USB clock (USB_XI) is provided through a dedicated external crystal or crystal oscillator. See [Universal Serial Bus \(USB\) On-The-Go—Receive and Transmit Timing on Page 54](#) for related timing requirements. If using a crystal to provide the USB clock, use a parallel-resonant, fundamental mode, micro-processor-grade crystal.

The USB on-the-go dual-role device controller includes a phase locked loop with programmable multipliers to generate the necessary internal clocking frequency for USB. The multiplier value should be programmed based on the USB_XI frequency to achieve the necessary 480 MHz internal clock for USB high speed operation. For example, for a USB_XI crystal frequency of 24 MHz, the USB_PLLOSC_CTRL register should be programmed with a multiplier value of 20 to generate a 480 MHz internal clock.

CODE SECURITY WITH LOCKBOX SECURE TECHNOLOGY

A security system consisting of a blend of hardware and software provides customers with a flexible and rich set of code security features with Lockbox secure technology. Key features include:

- OTP memory
- Unique chip ID
- Code authentication
- Secure mode of operation

The security scheme is based upon the concept of authentication of digital signatures using standards-based algorithms and provides a secure processing environment in which to execute code and protect assets. See [Lockbox Secure Technology Disclaimer on Page 21](#).

DYNAMIC POWER MANAGEMENT

The processor provides five operating modes, each with a different performance/power profile. In addition, dynamic power management provides the control functions to dynamically alter the processor core supply voltage, further reducing power dissipation. When configured for a 0 volt core supply voltage, the

processor enters the hibernate state. Control of clocking to each of the processor peripherals also reduces power consumption. See [Table 4](#) for a summary of the power settings for each mode.

Full-On Operating Mode—Maximum Performance

In the full-on mode, the PLL is enabled and is not bypassed, providing capability for maximum operational frequency. This is the power-up default execution state in which maximum performance can be achieved. The processor core and all enabled peripherals run at full speed.

Active Operating Mode—Moderate Dynamic Power Savings

In the active mode, the PLL is enabled but bypassed. Because the PLL is bypassed, the processor’s core clock (CCLK) and system clock (SCLK) run at the input clock (CLKIN) frequency. DMA access is available to appropriately configured L1 memories.

In the active mode, it is possible to disable the control input to the PLL by setting the PLL_OFF bit in the PLL control register. This register can be accessed with a user-callable routine in the on-chip ROM called `bfrom_SysControl()`. If disabled, the PLL control input must be re-enabled before transitioning to the full-on or sleep modes.

Table 4. Power Settings

Mode/State	PLL	PLL Bypassed	Core Clock (CCLK)	System Clock (SCLK)	Core Power
Full On	Enabled	No	Enabled	Enabled	On
Active	Enabled/Disabled	Yes	Enabled	Enabled	On
Sleep	Enabled	—	Disabled	Enabled	On
Deep Sleep	Disabled	—	Disabled	Disabled	On
Hibernate	Disabled	—	Disabled	Disabled	Off

For more information about PLL controls, see the “Dynamic Power Management” chapter in the ADSP-BF542x Blackfin Processor Hardware Reference.

Sleep Operating Mode—High Dynamic Power Savings

The sleep mode reduces dynamic power dissipation by disabling the clock to the processor core (CCLK). The PLL and system clock (SCLK), however, continue to operate in this mode. Typically an external event or RTC activity wakes up the processor. When in the sleep mode, asserting a wakeup enabled in the SIC_IWRx registers causes the processor to sense the value of the BYPASS bit in the PLL control register (PLL_CTL). If BYPASS is disabled, the processor transitions to the full on mode. If BYPASS is enabled, the processor transitions to the active mode.

System DMA access to L1 memory is not supported in sleep mode.

Deep Sleep Operating Mode—Maximum Dynamic Power Savings

The deep sleep mode maximizes dynamic power savings by disabling the clocks to the processor core (CCLK) and to all synchronous peripherals (SCLK). Asynchronous peripherals, such as the RTC, may still be running but cannot access internal resources or external memory. This powered-down mode can only be exited by assertion of the reset interrupt ($\overline{\text{RESET}}$) or by an asynchronous interrupt generated by the RTC. When in deep sleep mode, an RTC asynchronous interrupt causes the processor to transition to the Active mode. Assertion of $\overline{\text{RESET}}$ while in deep sleep mode causes the processor to transition to the full on mode.

Hibernate State—Maximum Static Power Savings

The hibernate state maximizes static power savings by disabling the voltage and clocks to the processor core (CCLK) and to all of the synchronous peripherals (SCLK). The internal voltage regulator (ADSP-BF523/525/527 only) for the processor can be shut off by writing b#00 to the FREQ bits of the VR_CTL register. This setting sets the internal power supply voltage (V_{DDINT}) to 0 V to provide the lowest static power dissipation. Any critical information stored internally (for example, memory contents, register contents, and other information) must be written to a non-volatile storage device prior to removing power if the processor state is to be preserved. Writing b#00 to the FREQ bits also causes EXT_WAKE0 and EXT_WAKE1 to transition low, which can be used to signal an external voltage regulator to shut down.

Since V_{DDEXT} and V_{DDMEM} can still be supplied in this mode, all of the external pins three-state, unless otherwise specified. This allows other devices that may be connected to the processor to still have power applied without drawing unwanted current.

The Ethernet or USB modules can wake up the internal supply regulator (ADSP-BF525 and ADSP-BF527 only) or signal an external regulator to wake up using EXT_WAKE0 or EXT_WAKE1 . If PG15 does not connect as a PHYINT signal to an external PHY device, PG15 can be pulled low by any other device to wake the processor up. The processor can also be woken up by a real-time clock wakeup event or by asserting the $\overline{\text{RESET}}$ pin. All hibernate wakeup events initiate the hardware reset sequence. Individual sources are enabled by the VR_CTL register. The EXT_WAKE signals are provided to indicate the occurrence of wakeup events.

As long as V_{DDEXT} is applied, the VR_CTL register maintains its state during hibernation. All other internal registers and memories, however, lose their content in the hibernate state. State variables may be held in external SRAM or SDRAM. The SCK_ELOW bit in the VR_CTL register controls whether or not SDRAM operates in self-refresh mode, which allows it to retain its content while the processor is in hibernate and through the subsequent reset sequence.

Power Savings

As shown in Table 5, the processor supports six different power domains, which maximizes flexibility while maintaining compliance with industry standards and conventions. By isolating

the internal logic of the processor into its own power domain, separate from the RTC and other I/O, the processor can take advantage of dynamic power management without affecting the RTC or other I/O devices. There are no sequencing requirements for the various power domains, but all domains must be powered according to the appropriate Specifications table for processor Operating Conditions; even if the feature/peripheral is not used.

Table 5. Power Domains

Power Domain	V _{DD} Range
All internal logic, except RTC, Memory, USB, OTP	V _{DDINT}
RTC internal logic and crystal I/O	V _{DDRTC}
Memory logic	V _{DDMEM}
USB PHY logic	V _{DDUSB}
OTP logic	V _{DDOTP}
All other I/O	V _{DDEXT}

The dynamic power management feature of the processor allows both the processor’s input voltage (V_{DDINT}) and clock frequency (f_{CCLK}) to be dynamically controlled.

The power dissipated by a processor is largely a function of its clock frequency and the square of the operating voltage. For example, reducing the clock frequency by 25% results in a 25% reduction in dynamic power dissipation, while reducing the voltage by 25% reduces dynamic power dissipation by more than 40%. Further, these power savings are additive, in that if the clock frequency and supply voltage are both reduced, the power savings can be dramatic, as shown in the following equations.

Power Savings Factor

$$= \frac{f_{\text{CCLKRED}}}{f_{\text{CCLKNOM}}} \times \left(\frac{V_{\text{DDINTRED}}}{V_{\text{DDINTNOM}}} \right)^2 \times \left(\frac{T_{\text{RED}}}{T_{\text{NOM}}} \right)$$

$$\% \text{ Power Savings} = (1 - \text{Power Savings Factor}) \times 100\%$$

where the variables in the equations are:

- f_{CCLKNOM} is the nominal core clock frequency
- f_{CCLKRED} is the reduced core clock frequency
- V_{DDINTNOM} is the nominal internal supply voltage
- V_{DDINTRED} is the reduced internal supply voltage
- T_{NOM} is the duration running at f_{CCLKNOM}
- T_{RED} is the duration running at f_{CCLKRED}

ADSP-BF523/525/527 VOLTAGE REGULATION

The ADSP-BF523/525/527 provides an on-chip voltage regulator that can generate processor core voltage levels from an external supply. Figure 5 shows the typical external components required to complete the power management system. The regulator controls the internal logic voltage levels and is programmable with the voltage regulator control register (VR_CTL) in increments of 50 mV. To reduce standby power

consumption, the internal voltage regulator can be programmed to remove power to the processor core while keeping I/O power supplied. While in the hibernate state, all external supplies (V_{DDEXT} , V_{DDMEM} , V_{DDUSB} , V_{DDOTP}) can still be applied, eliminating the need for external buffers. V_{DDRTC} must be applied at all times for correct hibernate operation. The voltage regulator can be activated from this power down state either through an RTC wakeup, a USB wakeup, an ethernet wakeup, or by asserting the RESET pin, each of which then initiates a boot sequence. The regulator can also be disabled and bypassed at the user's discretion.

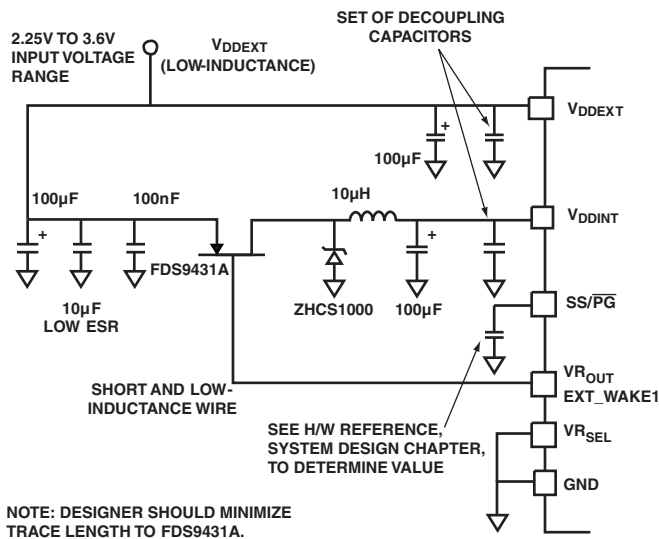


Figure 5. ADSP-BF523/525/527 Voltage Regulator Circuit

The voltage regulator has two modes set by the V_{RSEL} pin—the normal pulse width control of an external FET and the external supply mode which can signal a power down during hibernate to an external regulator. Set V_{RSEL} to V_{DDEXT} to use an external regulator or set V_{RSEL} to GND to use the internal regulator. In the external mode V_{R_OUT} becomes EXT_WAKE1. If the internal regulator is used, EXT_WAKE0 can control other power sources in the system during the hibernate state. Both signals are high-true for power-up and may be connected directly to the low-true shut down input of many common regulators. The mode of the SS/ \overline{PG} (Soft Start/Power Good) signal also changes according to the state of V_{RSEL} . When using an internal regulator, the SS/ \overline{PG} pin is Soft Start, and when using an external regulator, it is Power Good. The Soft Start feature is recommended to reduce the inrush currents and to reduce V_{DDINT} voltage overshoot when coming out of hibernate or changing voltage levels. The Power Good (\overline{PG}) input signal allows the processor to start only after the internal voltage has reached a chosen level. In this way, the startup time of the external regulator is detected after hibernation. For a complete description of Soft Start and Power Good functionality, refer to the *ADSP-BF52x Blackfin Processor Hardware Reference*.

ADSP-BF522/524/526 VOLTAGE REGULATION

The ADSP-BF522/524/526 processor requires an external voltage regulator to power the V_{DDINT} domain. To reduce standby power consumption, the external voltage regulator can be signaled through EXT_WAKE0 or EXT_WAKE1 to remove power from the processor core. These identical signals are high-true for power-up and may be connected directly to the low-true shut down input of many common regulators. While in the hibernate state, all external supplies (V_{DDEXT} , V_{DDMEM} , V_{DDUSB} , V_{DDOTP}) can still be applied, eliminating the need for external buffers. V_{DDRTC} must be applied at all times for correct hibernate operation. The external voltage regulator can be activated from this power down state either through an RTC wakeup, a USB wakeup, an ethernet wakeup, or by asserting the \overline{RESET} pin, each of which then initiates a boot sequence. EXT_WAKE0 or EXT_WAKE1 indicate a wakeup to the external voltage regulator. The Power Good (\overline{PG}) input signal allows the processor to start only after the internal voltage has reached a chosen level. In this way, the startup time of the external regulator is detected after hibernation. For a complete description of the Power Good functionality, refer to the *ADSP-BF52x Blackfin Processor Hardware Reference*.

CLOCK SIGNALS

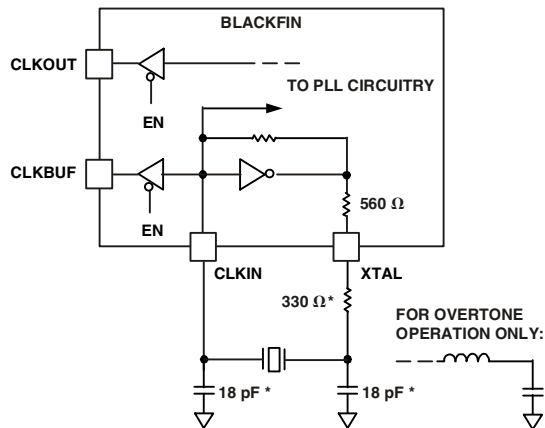
The processor can be clocked by an external crystal, a sine wave input, or a buffered, shaped clock derived from an external clock oscillator.

If an external clock is used, it should be a TTL compatible signal and must not be halted, changed, or operated below the specified frequency during normal operation. This signal is connected to the processor's CLKIN pin. When an external clock is used, the XTAL pin must be left unconnected.

Alternatively, because the processor includes an on-chip oscillator circuit, an external crystal may be used. For fundamental frequency operation, use the circuit shown in Figure 6. A parallel-resonant, fundamental frequency, microprocessor-grade crystal is connected across the CLKIN and XTAL pins. The on-chip resistance between CLKIN and the XTAL pin is in the 500 k Ω range. Further parallel resistors are typically not recommended. The two capacitors and the series resistor shown in Figure 6 fine tune phase and amplitude of the sine frequency.

The capacitor and resistor values shown in Figure 6 are typical values only. The capacitor values are dependent upon the crystal manufacturers' load capacitance recommendations and the PCB physical layout. The resistor value depends on the drive level

specified by the crystal manufacturer. The user should verify the customized values based on careful investigations on multiple devices over temperature range.



NOTE: VALUES MARKED WITH * MUST BE CUSTOMIZED, DEPENDING ON THE CRYSTAL AND LAYOUT. PLEASE ANALYZE CAREFULLY. FOR FREQUENCIES ABOVE 33 MHz, THE SUGGESTED CAPACITOR VALUE OF 18 pF SHOULD BE TREATED AS A MAXIMUM, AND THE SUGGESTED RESISTOR VALUE SHOULD BE REDUCED TO 0 Ω.

Figure 6. External Crystal Connections

A third-overtone crystal can be used for frequencies above 25 MHz. The circuit is then modified to ensure crystal operation only at the third overtone, by adding a tuned inductor circuit as shown in Figure 6. A design procedure for third-overtone operation is discussed in detail in application note (EE-168) Using Third Overtone Crystals with the ADSP-218x DSP on the Analog Devices website (www.analog.com)—use site search on “EE-168.”

The CLKBUF pin is an output pin, which is a buffered version of the input clock. This pin is particularly useful in Ethernet applications to limit the number of required clock sources in the system. In this type of application, a single 25 MHz or 50 MHz crystal may be applied directly to the processor. The 25 MHz or 50 MHz output of CLKBUF can then be connected to an external Ethernet MII or RMII PHY device. If instead of a crystal, an external oscillator is used at CLKIN, CLKBUF will not have the 40/60 duty cycle required by some devices. The CLKBUF output is active by default and can be disabled for power savings reasons using the VR_CTL register.

The Blackfin core runs at a different clock rate than the on-chip peripherals. As shown in Figure 7, the core clock (CCLK) and system peripheral clock (SCLK) are derived from the input clock (CLKIN) signal. An on-chip PLL is capable of multiplying the CLKIN signal by a programmable 0.5x to 64x multiplication factor (bounded by specified minimum and maximum VCO frequencies). The default multiplier is 10x, but it can be modified by a software instruction sequence.

On-the-fly frequency changes can be effected by simply writing to the PLL_DIV register. The maximum allowed CCLK and SCLK rates depend on the applied voltages V_{DDINT} , V_{DDEXT} , and V_{DDMEM} ; the VCO is always permitted to run up to the frequency specified by the part’s speed grade. The CLKOUT pin reflects the SCLK frequency to the off-chip world. It is part of the

SDRAM interface, but it functions as a reference signal in other timing specifications as well. While active by default, it can be disabled using the EBIU_SDGCTL and EBIU_AMGCTL registers.

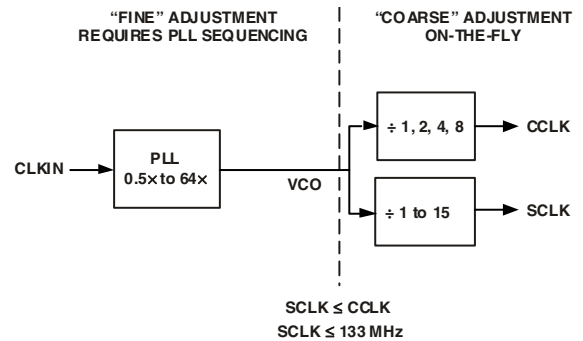


Figure 7. Frequency Modification Methods

All on-chip peripherals are clocked by the system clock (SCLK). The system clock frequency is programmable by means of the SSEL3–0 bits of the PLL_DIV register. The values programmed into the SSEL fields define a divide ratio between the PLL output (VCO) and the system clock. SCLK divider values are 1 through 15. Table 6 illustrates typical system clock ratios.

Note that the divisor ratio must be chosen to limit the system clock frequency to its maximum of f_{SCLK} . The SSEL value can be changed dynamically without any PLL lock latencies by writing the appropriate values to the PLL divisor register (PLL_DIV).

Table 6. Example System Clock Ratios

Signal Name SSEL3–0	Divider Ratio VCO/SCLK	Example Frequency Ratios (MHz)	
		VCO	SCLK
0001	1:1	100	100
0110	6:1	300	50
1010	10:1	500	50

The core clock (CCLK) frequency can also be dynamically changed by means of the CSEL1–0 bits of the PLL_DIV register. Supported CCLK divider ratios are 1, 2, 4, and 8, as shown in Table 7. This programmable core clock capability is useful for fast core frequency modifications.

Table 7. Core Clock Ratios

Signal Name CSEL1–0	Divider Ratio VCO/CCLK	Example Frequency Ratios (MHz)	
		VCO	CCLK
00	1:1	300	300
01	2:1	300	150
10	4:1	500	125
11	8:1	200	25

The maximum CCLK frequency not only depends on the part's speed grade (see Page 80), it also depends on the applied V_{DDINT} voltage. See Table 12 and Table 15 for details. The maximal system clock rate (SCLK) depends on the chip package and the applied V_{DDINT} , V_{DDEXT} , and V_{DDMEM} voltages (see Table 14 and Table 17).

BOOTING MODES

The processor has several mechanisms (listed in Table 8) for automatically loading internal and external memory after a reset. The boot mode is defined by four BMODE input pins dedicated to this purpose. There are two categories of boot modes. In master boot modes the processor actively loads data from parallel or serial memories. In slave boot modes the processor receives data from external host devices.

The boot modes listed in Table 8 provide a number of mechanisms for automatically loading the processor's internal and external memories after a reset. By default, all boot modes use the slowest meaningful configuration settings. Default settings can be altered via the initialization code feature at boot time or by proper OTP programming at pre-boot time. The BMODE pins of the reset configuration register, sampled during power-on resets and software-initiated resets, implement the modes shown in Table 8.

Table 8. Booting Modes

BMODE3-0	Description
0000	Idle - No boot
0001	Boot from 8- or 16-bit external flash memory
0010	Boot from 16-bit asynchronous FIFO
0011	Boot from serial SPI memory (EEPROM or flash)
0100	Boot from SPI host device
0101	Boot from serial TWI memory (EEPROM/flash)
0110	Boot from TWI host
0111	Boot from UART0 Host
1000	Boot from UART1 Host
1001	Reserved
1010	Boot from SDRAM
1011	Boot from OTP memory
1100	Boot from 8-bit NAND flash via NFC using PORTF data pins
1101	Boot from 8-bit NAND flash via NFC using PORTH data pins
1110	Boot from 16-Bit Host DMA
1111	Boot from 8-Bit Host DMA

- Idle/no boot mode (BMODE = 0x0) — In this mode, the processor goes into idle. The idle boot mode helps recover from illegal operating modes, such as when the OTP memory has been misconfigured.
- Boot from 8-bit or 16-bit external flash memory (BMODE = 0x1) — In this mode, the boot kernel loads the first block header from address 0x2000 0000, and (depending on instructions contained in the header) the boot

kernel performs an 8- or 16-bit boot or starts program execution at the address provided by the header. By default, all configuration settings are set for the slowest device possible (3-cycle hold time, 15-cycle R/W access times, 4-cycle setup).

The ARDY is not enabled by default, but it can be enabled through OTP programming. Similarly, all interface behavior and timings can be customized through OTP programming. This includes activation of burst-mode or page-mode operation. In this mode, all asynchronous interface signals are enabled at the port muxing level.

- Boot from 16-bit asynchronous FIFO (BMODE = 0x2) — In this mode, the boot kernel starts booting from address 0x2030 0000. Every 16-bit word that the boot kernel has to read from the FIFO must be requested by placing a low pulse on the DMAR1 pin.
- Boot from serial SPI memory, EEPROM or flash (BMODE = 0x3) — 8-, 16-, 24-, or 32-bit addressable devices are supported. The processor uses the PG1 GPIO pin to select a single SPI EEPROM/flash device and submits a read command and successive address bytes (0x00) until a valid 8-, 16-, 24-, or 32-bit addressable device is detected. Pull-up resistors are required on the $\overline{SPISEL1}$ and MISO pins. By default, a value of 0x85 is written to the SPI_BAUD register.
- Boot from SPI host device (BMODE = 0x4) — The processor operates in SPI slave mode and is configured to receive the bytes of the LDR file from an SPI host (master) agent. The HWAIT signal must be interrogated by the host before every transmitted byte. A pull-up resistor is required on the \overline{SPISS} input. A pull-down on the serial clock (SCK) may improve signal quality and booting robustness.
- Boot from serial TWI memory, EEPROM/flash (BMODE = 0x5) — The processor operates in master mode and selects the TWI slave connected to the TWI with the unique ID 0xA0.

The processor submits successive read commands to the memory device starting at internal address 0x0000 and begins clocking data into the processor. The TWI memory device should comply with the Philips I²C[®] Bus Specification version 2.1 and should be able to auto-increment its internal address counter such that the contents of the memory device can be read sequentially. By default, a PRESCALE value of 0xA and a TWI_CLKDIV value of 0x0811 are used. Unless altered by OTP settings, an I²C memory that takes two address bytes is assumed. The development tools ensure that data booted to memories that cannot be accessed by the Blackfin core is written to an intermediate storage location and then copied to the final destination via memory DMA.

- Boot from TWI host (BMODE = 0x6) — The TWI host selects the slave with the unique ID 0x5F.

The processor replies with an acknowledgement and the host then downloads the boot stream. The TWI host agent should comply with the Philips I²C Bus Specification

version 2.1. An I²C multiplexer can be used to select one processor at a time when booting multiple processors from a single TWI.

- Boot from UART0 host on Port G (BMODE = 0x7) — Using an autobaud handshake sequence, a boot-stream formatted program is downloaded by the host. The host selects a bit rate within the UART clocking capabilities.

When performing the autobaud, the UART expects a “@” (0x40) character (eight bits data, one start bit, one stop bit, no parity bit) on the UART0RX pin to determine the bit rate. The UART then replies with an acknowledgement composed of 4 bytes (0xBF, the value of UART0_DLL, the value of UART0_DLH, then 0x00). The host can then download the boot stream. To hold off the host the Blackfin processor signals the host with the boot host wait (HWAIT) signal. Therefore, the host must monitor HWAIT before every transmitted byte.

- Boot from UART1 host on Port F (BMODE = 0x8). Same as BMODE = 0x7 except that the UART1 port is used.
- Boot from SDRAM (BMODE = 0xA) This is a warm boot scenario, where the boot kernel starts booting from address 0x0000 0010. The SDRAM is expected to contain a valid boot stream and the SDRAM controller must be configured by the OTP settings.
- Boot from OTP memory (BMODE = 0xB) — This provides a stand-alone booting method. The boot stream is loaded from on-chip OTP memory. By default, the boot stream is expected to start from OTP page 0x40 and can occupy all public OTP memory up to page 0xDF. This is 2560 bytes. Since the start page is programmable, the maximum size of the boot stream can be extended to 3072 bytes.

Table 9. Fourth Byte for Large Page Devices

Bit	Parameter	Value	Meaning
D1:D0	Page Size (excluding spare area)	00	1K byte
		01	2K byte
		10	4K byte
		11	8K byte
D2	Spare Area Size	00	8 byte/512 byte
		01	16 byte/512 byte
D5:D4	Block Size (excluding spare area)	00	64K byte
		01	128K byte
		10	256K byte
		11	512K byte
D6	Bus width	00	x8
		01	not supported
D3, D7	Not Used for configuration		

- Boot from 8-bit external NAND flash memory (BMODE = 0xC and BMODE = 0xD) — In this mode, auto detection of the NAND flash device is performed.

BMODE = 0xC, the processor configures PORTF GPIO pins PF7:0 for the NAND data pins and PORTH pins PH15:10 for the NAND control signals.

BMODE = 0xD, the processor configures PORTH GPIO pins PH7:0 for the NAND data pins and PORTH pins PH15:10 for the NAND control signals.

For correct device operation pull-up resistors are required on both $\overline{ND_CE}$ (PH10) and $\overline{ND_BUSY}$ (PH13) signals. By default, a value of 0x0033 is written to the NFC_CTL register. The booting procedure always starts by booting from byte 0 of block 0 of the NAND flash device.

NAND flash boot supports the following features:

- Device Auto Detection
- Error Detection & Correction for maximum reliability
- No boot stream size limitation
- Peripheral DMA providing efficient transfer of all data (excluding the ECC parity data)
- Software-configurable boot mode for booting from boot streams spanning multiple blocks, including bad blocks
- Software-configurable boot mode for booting from multiple copies of the boot stream, allowing for handling of bad blocks and uncorrectable errors
- Configurable timing via OTP memory

Small page NAND flash devices must have a 512-byte page size, 32 pages per block, a 16-byte spare area size, and a bus configuration of 8 bits. By default, all read requests from the NAND flash are followed by four address cycles. If the NAND flash device requires only three address cycles, the device must be capable of ignoring the additional address cycles.

The small page NAND flash device must comply with the following command set:

- Reset: 0xFF
- Read lower half of page: 0x00
- Read upper half of page: 0x01
- Read spare area: 0x50

For large-page NAND-flash devices, the four-byte electronic signature is read in order to configure the kernel for booting, which allows support for multiple large-page devices. The fourth byte of the electronic signature must comply with the specification in Table 9.

Any NAND flash array configuration from Table 9, excluding 16-bit devices, that also complies with the command set listed below are directly supported by the boot kernel. There are no restrictions on the page size or block size as imposed by the small-page boot kernel.

For devices consisting of a five-byte signature, only four are read. The fourth must comply as outlined above.

Large page devices must support the following command set:

- Reset: 0xFF
- Read Electronic Signature: 0x90
- Read: 0x00, 0x30 (confirm command)

Large-page devices must not support or react to NAND flash command 0x50. This is a small-page NAND flash command used for device auto detection.

By default, the boot kernel will always issue five address cycles; therefore, if a large page device requires only four cycles, the device must be capable of ignoring the additional address cycles.

- **Boot from 16-Bit Host DMA (BMODE = 0xE)** — In this mode, the host DMA port is configured in 16-bit Acknowledge mode, with little endian data formatting. Unlike other modes, the host is responsible for interpreting the boot stream. It writes data blocks individually into the Host DMA port. Before configuring the DMA settings for each block, the host may either poll the ALLOW_CONFIG bit in HOST_STATUS or wait to be interrupted by the HWAIT signal. When using HWAIT, the host must still check ALLOW_CONFIG at least once before beginning to configure the Host DMA Port. After completing the configuration, the host is required to poll the READY bit in HOST_STATUS before beginning to transfer data. When the host sends an HIRQ control command, the boot kernel issues a CALL instruction to address 0xFFA0 0000. It is the host's responsibility to ensure that valid code has been placed at this address. The routine at 0xFFA0 0000 can be a simple initialization routine to configure internal resources, such as the SDRAM controller, which then returns using an RTS instruction. The routine may also by the final application, which will never return to the boot kernel.
- **Boot from 8-Bit Host DMA (BMODE = 0xF)** — In this mode, the Host DMA port is configured in 8-bit interrupt mode, with little endian data formatting. Unlike other modes, the host is responsible for interpreting the boot stream. It writes data blocks individually into the Host DMA port. Before configuring the DMA settings for each block, the host may either poll the ALLOW_CONFIG bit in HOST_STATUS or wait to be interrupted by the HWAIT signal. When using HWAIT, the host must still check ALLOW_CONFIG at least once before beginning to configure the Host DMA Port. The host will receive an interrupt from the HOST_ACK signal every time it is allowed to send the next FIFO depths worth (sixteen 32-bit words) of information. When the host sends an HIRQ control command, the boot kernel issues a CALL instruction to address 0xFFA0 0000. It is the host's responsibility to ensure valid code has been placed at this address. The routine at 0xFFA0 0000 can be a simple initialization routine to configure internal resources, such as the SDRAM con-

troller, which then returns using an RTS instruction. The routine may also by the final application, which will never return to the boot kernel.

For each of the boot modes, a 16-byte header is first read from an external memory device. The header specifies the number of bytes to be transferred and the memory destination address. Multiple memory blocks may be loaded by any boot sequence. Once all blocks are loaded, program execution commences from the address stored in the EVT1 register.

Prior to booting, the pre-boot routine interrogates the OTP memory. Individual boot modes can be customized or even disabled based on OTP programming. External hardware, especially booting hosts, may watch the HWAIT signal to determine when the pre-boot has finished and the boot kernel starts the boot process. By programming OTP memory, the user can also instruct the pre-boot routine to customize the PLL, Internal Voltage Regulator (ADSP-BF523/525/527 only), SDRAM Controller, and Asynchronous Memory Controller.

The boot kernel differentiates between a regular hardware reset and a wakeup-from-hibernate event to speed up booting in the later case. Bits 6-4 in the system reset configuration (SYSCR) register can be used to bypass the pre-boot routine and/or boot kernel in case of a software reset. They can also be used to simulate a wakeup-from-hibernate boot in the software reset case.

The boot process can be further customized by “initialization code.” This is a piece of code that is loaded and executed prior to the regular application boot. Typically, this is used to configure the SDRAM controller or to speed up booting by managing the PLL, clock frequencies, wait states, or serial bit rates.

The boot ROM also features C-callable function that can be called by the user application at run time. This enables second-stage boot or boot management schemes to be implemented with ease.

INSTRUCTION SET DESCRIPTION

The Blackfin processor family assembly language instruction set employs an algebraic syntax designed for ease of coding and readability. The instructions have been specifically tuned to provide a flexible, densely encoded instruction set that compiles to a very small final memory size. The instruction set also provides fully featured multifunction instructions that allow the programmer to use many of the processor core resources in a single instruction. Coupled with many features more often seen on microcontrollers, this instruction set is very efficient when compiling C and C++ source code. In addition, the architecture supports both user (algorithm/application code) and supervisor (O/S kernel, device drivers, debuggers, ISRs) modes of operation, allowing multiple levels of access to core processor resources.

The assembly language, which takes advantage of the processor's unique architecture, offers the following advantages:

- Seamlessly integrated DSP/MCU features are optimized for both 8-bit and 16-bit operations.
- A multi-issue load/store modified-Harvard architecture, which supports two 16-bit MAC or four 8-bit ALU + two load/store + two pointer updates per cycle.
- All registers, I/O, and memory are mapped into a unified 4G byte memory space, providing a simplified programming model.
- Microcontroller features, such as arbitrary bit and bit-field manipulation, insertion, and extraction; integer operations on 8-, 16-, and 32-bit data-types; and separate user and supervisor stack pointers.
- Code density enhancements, which include intermixing of 16-bit and 32-bit instructions (no mode switching, no code segregation). Frequently used instructions are encoded in 16 bits.

DEVELOPMENT TOOLS

The processor is supported with a complete set of CROSSCORE® software and hardware development tools, including Analog Devices emulators and VisualDSP++® development environment. The same emulator hardware that supports other Blackfin processors also fully emulates the ADSP-BF522/524/526 and ADSP-BF523/525/527 processors.

EZ-KIT Lite® Evaluation Board

For evaluation of ADSP-BF522/524/526 and ADSP-BF523/525/527 processors, use the EZ-KIT Lite boards available from Analog Devices. Order using part numbers ADZS-BF526-EZLITE or ADZS-BF527-EZLITE. The boards come with on-chip emulation capabilities and is equipped to enable software development. Multiple daughter cards are available.

DESIGNING AN EMULATOR-COMPATIBLE PROCESSOR BOARD (TARGET)

The Analog Devices family of emulators are tools that every system developer needs in order to test and debug hardware and software systems. Analog Devices has supplied an IEEE 1149.1 JTAG Test Access Port (TAP) on each JTAG processor. The emulator uses the TAP to access the internal features of the processor, allowing the developer to load code, set breakpoints, observe variables, observe memory, and examine registers. The processor must be halted to send data and commands, but once an operation has been completed by the emulator, the processor system is set running at full speed with no impact on system timing.

To use these emulators, the target board must include a header that connects the processor's JTAG port to the emulator.

For details on target board design issues including mechanical layout, single processor connections, multiprocessor scan chains, signal buffering, signal termination, and emulator pod logic, see (*EE-68*) *Analog Devices JTAG Emulation Technical*

Reference on the Analog Devices website (www.analog.com)—use site search on “EE-68.” This document is updated regularly to keep pace with improvements to emulator support.

RELATED DOCUMENTS

The following publications that describe the ADSP-BF522/524/526 and ADSP-BF523/525/527 processors (and related processors) can be ordered from any Analog Devices sales office or accessed electronically on our website:

- *Getting Started With Blackfin Processors*
- *ADSP-BF52x Blackfin Processor Hardware Reference* (volumes 1 and 2)
- *Blackfin Processor Programming Reference*
- *ADSP-BF522/524/526 Blackfin Processor Anomaly List*
- *ADSP-BF523/525/527 Blackfin Processor Anomaly List*

LOCKBOX SECURE TECHNOLOGY DISCLAIMER

Analog Devices products containing Lockbox Secure Technology are warranted by Analog Devices as detailed in the Analog Devices Standard Terms and Conditions of Sale. To our knowledge, the Lockbox Secure Technology, when used in accordance with the data sheet and hardware reference manual specifications, provides a secure method of implementing code and data safeguards. However, Analog Devices does not guarantee that this technology provides absolute security.

ACCORDINGLY, ANALOG DEVICES HEREBY DISCLAIMS ANY AND ALL EXPRESS AND IMPLIED WARRANTIES THAT THE LOCKBOX SECURE TECHNOLOGY CANNOT BE BREACHED, COMPROMISED OR OTHERWISE CIRCUMVENTED AND IN NO EVENT SHALL ANALOG DEVICES BE LIABLE FOR ANY LOSS, DAMAGE, DESTRUCTION OR RELEASE OF DATA, INFORMATION, PHYSICAL PROPERTY OR INTELLECTUAL PROPERTY.

SIGNAL DESCRIPTIONS

Signal definitions for the ADSP-BF522/524/526 and ADSP-BF523/525/527 processors are listed in [Table 10](#). In order to maintain maximum function and reduce package size and ball count, some balls have dual, multiplexed functions. In cases where ball function is reconfigurable, the default state is shown in plain text, while the alternate function is shown in italics.

All pins are three-stated during and immediately after reset, with the exception of the external memory interface, asynchronous and synchronous memory control, and the buffered XTAL output pin (CLKBUF). On the external memory interface, the control and address lines are driven high, with the exception of CLKOUT, which toggles at the system clock rate.

All I/O pins have their input buffers disabled with the exception of the pins that need pull-ups or pull-downs, as noted in [Table 10](#).

It is strongly advised to use the available IBIS models to ensure that a given board design meets overshoot/undershoot and signal integrity requirements. If no IBIS simulation is performed, it is strongly recommended to add series resistor terminations for all Driver Types A, C and D.

The termination resistors should be placed near the processor to reduce transients and improve signal integrity. The resistance value, typically 33 Ω or 47 Ω , should be chosen to match the average board trace impedance.

Additionally, adding a parallel termination to CLKOUT may prove useful in further enhancing signal integrity. Be sure to verify overshoot/undershoot and signal integrity specifications on actual hardware.

Table 10. Signal Descriptions

Signal Name	Type	Function	Driver Type ¹
<i>EBIU</i>			
ADDR19-1	O	Address Bus	A
DATA15-0	I/O	Data Bus	A
<i>ABE1-0/SDQM1-0</i>	O	Byte Enables/ <i>Data Mask</i>	A
<i>AMS3-0</i>	O	Bank Select	A
ARDY	I	Hardware Ready Control	
<i>AOE</i>	O	Output Enable	A
<i>ARE</i>	O	Read Enable	A
<i>AWE</i>	O	Write Enable	A
<i>SRAS</i>	O	SDRAM Row Address Strobe	A
<i>SCAS</i>	O	SDRAM Column Address Strobe	A
<i>SWE</i>	O	SDRAM Write Enable	A
SCKE	O	SDRAM Clock Enable	A
CLKOUT	O	SDRAM Clock Output	B
SA10	O	SDRAM A10 Signal	A
<i>SMS</i>	O	SDRAM Bank Select	A

Table 10. Signal Descriptions (Continued)

Signal Name	Type	Function	Driver Type ¹
<i>USB 2.0 HS OTG</i>			
USB_DP	I/O	Data + (This ball should be pulled low when USB is unused or not present.)	F
USB_DM	I/O	Data - (This ball should be pulled low when USB is unused or not present.)	F
USB_XI	I	USB Crystal Input (This ball should be pulled low when USB is unused or not present.)	
USB_XO	O	USB Crystal Output (This ball should be left unconnected when USB is unused or not present.)	F
USB_ID	I	USB OTG mode (This ball should be pulled low when USB is unused or not present.)	
USB_VREF	I	USB voltage reference (Connect to GND through a 0.1 μF capacitor, or leave unconnected if USB is unused or not present.)	
USB_RSET	I	USB resistance set. (This ball should be left unconnected when USB is unused or not present.)	
USB_VBUS	I/O 5V	USB VBUS (USB_VBUS is an output only during initialization of USB OTG session request pulses. Host mode or OTG type A mode require that an external voltage source of 5V, at 8mA or more—per the OTG specification—be applied to VBUS. Other OTG modes require that this external voltage be disabled. This ball should be pulled low when USB is unused or not present.)	F
<i>Port F: GPIO and Multiplexed Peripherals</i>			
PF0/PPI D0/DR0PRI/ND_D0A	I/O	GPIO/PPI Data 0/SPORT0 Primary Receive Data /NAND Alternate Data 0	C
PF1/PPI D1/RFS0/ND_D1A	I/O	GPIO/PPI Data 1/SPORT0 Receive Frame Sync /NAND Alternate Data 1	C
PF2/PPI D2/RSCLK0/ND_D2A	I/O	GPIO/PPI Data 2/SPORT0 Receive Serial Clock /NAND Alternate Data 2/Alternate Capture Input 0	D
PF3/PPI D3/DT0PRI/ND_D3A	I/O	GPIO/PPI Data 3/SPORT0 Transmit Primary Data /NAND Alternate Data 3	C
PF4/PPI D4/TFS0/ND_D4A/TACKL0	I/O	GPIO/PPI Data 4/SPORT0 Transmit Frame Sync /NAND Alternate Data 4/Alternate Timer Clock 0	C
PF5/PPI D5/TSCLK0/ND_D5A/TACKL1	I/O	GPIO/PPI Data 5/SPORT0 Transmit Serial Clock /NAND Alternate Data 5/Alternate Timer Clock 1	D
PF6/PPI D6/DT0SEC/ND_D6A/TACI0	I/O	GPIO/PPI Data 6/SPORT0 Transmit Secondary Data /NAND Alternate Data 6/Alternate Capture Input 0	C
PF7/PPI D7/DR0SEC/ND_D7A/TACI1	I/O	GPIO/PPI Data 7/SPORT0 Receive Secondary Data /NAND Alternate Data 7/Alternate Capture Input 1	C
PF8/PPI D8/DR1PRI	I/O	GPIO/PPI Data 8/SPORT1 Primary Receive Data	C
PF9/PPI D9/RSCLK1/SPISEL6	I/O	GPIO/PPI Data 9/SPORT1 Receive Serial Clock/SPI Slave Select 6	D
PF10/PPI D10/RFS1/SPISEL7	I/O	GPIO/PPI Data 10/SPORT1 Receive Frame Sync/SPI Slave Select 7	C
PF11/PPI D11/TFS1/CZM	I/O	GPIO/PPI Data 11/SPORT1 Transmit Frame Sync/Counter Zero Marker	C
PF12/PPI D12/DT1PRI/SPISEL2/CDG	I/O	GPIO/PPI Data 12/SPORT1 Transmit Primary Data/SPI Slave Select 2/Counter Down Gate	C
PF13/PPI D13/TSCLK1/SPISEL3/CUD	I/O	GPIO/PPI Data 13/SPORT1 Transmit Serial Clock/SPI Slave Select 3/Counter Up Direction	D
PF14/PPI D14/DT1SEC/UART1TX	I/O	GPIO/PPI Data 14/SPORT1 Transmit Secondary Data/UART1 Transmit	C
PF15/PPI D15/DR1SEC/UART1RX/TACI3	I/O	GPIO/PPI Data 15/SPORT1 Receive Secondary Data /UART1 Receive /Alternate Capture Input 3	C
<i>Port G: GPIO and Multiplexed Peripherals</i>			

Table 10. Signal Descriptions (Continued)

Signal Name	Type	Function	Driver Type ¹
PG0/HWAIT	I/O	GPIO/Boot Host Wait ²	C
PG1/ \overline{SPISS} / $\overline{SPISEL1}$	I/O	GPIO/SPI Slave Select Input/SPI Slave Select 1	C
PG2/SCK	I/O	GPIO/SPI Clock	D
PG3/MISO/DR0SECA	I/O	GPIO/SPI Master In Slave Out/Sport 0 Alternate Receive Data Secondary	C
PG4/MOSI/DT0SECA	I/O	GPIO/SPI Master Out Slave In/Sport 0 Alternate Transmit Data Secondary	C
PG5/TMR1/PPI_FS2	I/O	GPIO/Timer1/PPI Frame Sync2	C
PG6/DT0PRIA/TMR2/PPI_FS3	I/O	GPIO/SPORT0 Alternate Primary Transmit Data / Timer2 / PPI Frame Sync3	C
PG7/TMR3/DR0PRIA/UART0TX	I/O	GPIO/Timer3/Sport 0 Alternate Receive Data Primary/UART0 Transmit	C
PG8/TMR4/RFS0A/UART0RX/TACI4	I/O	GPIO/Timer 4/Sport 0 Alternate Receive Clock/Frame Sync /UART0 Receive/Alternate Capture Input 4	C
PG9/TMR5/RSCLK0A/TACI5	I/O	GPIO/Timer5/Sport 0 Alternate Receive Clock /Alternate Capture Input 5	D
PG10/TMR6/TSCLK0A/TACI6	I/O	GPIO/Timer 6 /Sport 0 Alternate Transmit /Alternate Capture Input 6	D
PG11/TMR7/ $\overline{HOST_WR}$	I/O	GPIO/Timer7/Host DMA Write Enable	C
PG12/DMAR1/UART1TXA/HOST_ACK	I/O	GPIO/DMA Request 1/Alternate UART1 Transmit/Host DMA Acknowledge	C
PG13/DMAR0/UART1RXA/HOST_ADDR/TACI2	I/O	GPIO/DMA Request 0/Alternate UART1 Receive/Host DMA Address/Alternate Capture Input 2	C
PG14/TSCLK0A1/MDC/ $\overline{HOST_RD}$	I/O	GPIO/SPORT0 Alternate 1 Transmit/Ethernet Management Channel Clock /Host DMA Read Enable	D
PG15 ³ /TFS0A/ $\overline{MII\ PHYINT}$ / $\overline{RMII\ MDINT}$ / $\overline{HOST_CE}$	I/O	GPIO/SPORT0 Alternate Transmit Frame Sync/Ethernet/MII PHY Interrupt/RMII Management Channel Data Interrupt/Host DMA Chip Enable	C
Port H: GPIO and Multiplexed Peripherals			
PH0/ND_D0/MII CRS/RMII CRS DV/HOST_D0	I/O	GPIO/NAND D0/Ethernet MII or RMII Carrier Sense/Host DMA D0	C
PH1/ND_D1/ERxER/HOST_D1	I/O	GPIO/NAND D1/Ethernet MII or RMII Receive Error/Host DMA D1	C
PH2/ND_D2/MDIO/HOST_D2	I/O	GPIO/NAND D2/Ethernet Management Channel Serial Data/Host DMA D2	C
PH3/ND_D3/ETxEN/HOST_D3	I/O	GPIO/NAND D3/Ethernet MII Transmit Enable/Host DMA D3	C
PH4/ND_D4/MII TXCLK/RMII REF_CLK/HOST_D4	I/O	GPIO/NAND D4/Ethernet MII or RMII Reference Clock/Host D4	C
PH5/ND_D5/ETxD0/HOST_D5	I/O	GPIO/NAND D5/Ethernet MII or RMII Transmit D0/Host DMA D5	C
PH6/ND_D6/ERxD0/HOST_D6	I/O	GPIO/NAND D6/Ethernet MII or RMII Receive D0/Host DMA D6	C
PH7/ND_D7/ETxD1/HOST_D7	I/O	GPIO/NAND D7/Ethernet MII or RMII Transmit D1/Host DMA D7	C
PH8/ $\overline{SPISEL4}$ /ERxD1/HOST_D8/TACLK2	I/O	GPIO/Alternate Capture Input 2/Ethernet MII or RMII Receive D1/Host DMA D8 /SPI Slave Select 4	C
PH9/ $\overline{SPISEL5}$ /ETxD2/HOST_D9/TACLK3	I/O	GPIO/SPI Slave Select 5/Ethernet MII Transmit D2/Host DMA D9 /Alternate Timer Clock 3	C
PH10/ $\overline{ND_CE}$ /ERxD2/HOST_D10	I/O	GPIO/NAND Chip Enable/Ethernet MII Receive D2/Host DMA D10	C
PH11/ $\overline{ND_WE}$ /ETxD3/HOST_D11	I/O	GPIO/NAND Write Enable/Ethernet MII Transmit D3/Host DMA D11	C
PH12/ $\overline{ND_RE}$ /ERxD3/HOST_D12	I/O	GPIO/NAND Read Enable/Ethernet MII Receive D3/Host DMA D12	C
PH13/ $\overline{ND_BUSY}$ /ERxCLK/HOST_D13	I/O	GPIO/NAND Busy/Ethernet MII Receive Clock/Host DMA D13	C
PH14/ND_CLE/ERxDV/HOST_D14	I/O	GPIO/NAND Command Latch Enable/Ethernet MII or RMII Receive Data Valid/Host DMA D14	C
PH15/ND_ALE/COL/HOST_D15	I/O	GPIO/NAND Address Latch Enable/Ethernet MII Collision/Host DMA Data 15	C

Table 10. Signal Descriptions (Continued)

Signal Name	Type	Function	Driver Type ¹
Port J: Multiplexed Peripherals			
PJ0: PPI_FS1/TMR0	I/O	PPI Frame Sync1/Timer0	C
PJ1: PPI_CLK/TMRCLK	I	PPI Clock/Timer Clock	
PJ2: SCL	I/O 5V	I ² C Serial Clock (This pin is an open-drain output and requires a pull-up resistor. ⁴)	E
PJ3: SDA	I/O 5V	I ² C Serial Data (This pin is an open-drain output and requires a pull-up resistor. ⁴)	E
Real Time Clock			
RTXI	I	RTC Crystal Input (This ball should be pulled low when not used.)	
RTXO	O	RTC Crystal Output	
JTAG Port			
TCK	I	JTAG Clock	
TDO	O	JTAG Serial Data Out	C
TDI	I	JTAG Serial Data In	
TMS	I	JTAG Mode Select	
$\overline{\text{TRST}}$	I	JTAG Reset (This ball should be pulled low if the JTAG port is not used.)	
$\overline{\text{EMU}}$	O	Emulation Output	C
Clock			
CLKIN	I	Clock/Crystal Input	
XTAL	O	Crystal Output	
CLKBUF	O	Buffered XTAL Output	C
Mode Controls			
$\overline{\text{RESET}}$	I	Reset	
$\overline{\text{NMI}}$	I	Nonmaskable Interrupt (This ball should be pulled high when not used.)	
BMODE3-0	I	Boot Mode Strap 3-0	
ADSP-BF523/525/527 Voltage Regulation I/F			
VR _{SEL}	I	Internal/External Voltage Regulator Select	
VR _{OUT} /EXT_WAKE1	O	External FET Drive/Wake up Indication 1	G
EXT_WAKE0	O	Wake up Indication 0	C
SS/ $\overline{\text{PG}}$	I	Soft Start/Power Good	
ADSP-BF522/524/526 Voltage Regulation I/F			
EXT_WAKE1	O	Wake up Indication 1	C
EXT_WAKE0	O	Wake up Indication 0	C
$\overline{\text{PG}}$	I	Power Good	

Table 10. Signal Descriptions (Continued)

Signal Name	Type	Function	Driver Type ¹
<i>Power Supplies</i>		ALL SUPPLIES MUST BE POWERED See Operating Conditions for ADSP-BF523/525/527 on Page 29 , and see Operating Conditions for ADSP-BF522/524/526 on Page 27 .	
V _{DDEXT}	P	I/O Power Supply	
V _{DDINT}	P	Internal Power Supply	
V _{DDRTC}	P	Real Time Clock Power Supply	
V _{DDUSB}	P	3.3 V USB Phy Power Supply	
V _{DDMEM}	P	MEM Power Supply	
V _{DDOTP}	P	OTP Power Supply	
V _{PPOTP}	P	OTP Programming Voltage	
V _{SS}	G	Ground for All Supplies	

¹ See [Output Drive Currents on Page 64](#) for more information about each driver type.

² HWAIT must be pulled high or low to configure polarity. It is driven as an output and toggle during processor boot. See [Booting Modes on Page 18](#).

³ When driven low, this ball can be used to wake up the processor from the hibernate state, either in normal GPIO mode or in Ethernet mode as $\overline{\text{MII PHYINT}}$. If the ball is used for wake up, enable the feature with the PHYWE bit in the VR_CTL register, and pull-up the ball with a resistor.

⁴ Consult version 2.1 of the I²C specification for the proper resistor value.

SPECIFICATIONS

Specifications are subject to change without notice.

OPERATING CONDITIONS FOR ADSP-BF522/524/526

Parameter	Conditions	Min	Nominal	Max	Unit
V _{DDINT}	Internal Supply Voltage	tbd	tbd	tbd	V
V _{DDEXT} ¹	External Supply Voltage	1.70	1.8, 2.5 or 3.3	3.6	V
V _{DDRTC} ²	RTC Power Supply Voltage	2.25		3.6	V
V _{DDMEM} ³	MEM Supply Voltage	1.70	1.8, 2.5 or 3.3	3.6	V
V _{DDOTP}	OTP Supply Voltage	2.25	2.5	2.75	V
V _{PPOTP}	OTP Programming Voltage				
	For Reads	2.25	2.5	2.75	V
	For Writes ⁴	6.9	7.0	7.1	V
V _{DDUSB}	USB Supply Voltage ⁵	3.0	3.3	3.6	V
V _{IH}	High Level Input Voltage ^{6,7}	V _{DDEXT} /V _{DDMEM} = 1.90 V		3.6	V
V _{IH}	High Level Input Voltage ^{6,7}	V _{DDEXT} /V _{DDMEM} = 2.75 V		3.6	V
V _{IH}	High Level Input Voltage ^{6,7}	V _{DDEXT} /V _{DDMEM} = 3.6 V		3.6	V
V _{IHTWI}	High Level Input Voltage	V _{DDEXT} = 1.90 V/2.75 V/3.6 V	0.7 x V _{BUSTWI}	V _{BUSTWI} ⁸	V
V _{IL}	Low Level Input Voltage ^{6,7}	V _{DDEXT} /V _{DDMEM} = 1.7 V	-0.3	0.6	V
V _{IL}	Low Level Input Voltage ^{6,7}	V _{DDEXT} /V _{DDMEM} = 2.25 V	-0.3	0.7	V
V _{IL}	Low Level Input Voltage ^{6,7}	V _{DDEXT} /V _{DDMEM} = 3.0 V	-0.3	0.8	V
V _{ILTWI}	Low Level Input Voltage	V _{DDEXT} = minimum	-0.3	0.3 x V _{BUSTWI} ⁹	V
T _J	Junction Temperature	289-Ball CSP_BGA @ T _{AMBIENT} = 0°C to +70°C	0	+105	°C
T _J	Junction Temperature	208-Ball CSP_BGA @ T _{AMBIENT} = 0°C to +70°C	0	+105	°C
T _J	Junction Temperature	208-Ball CSP_BGA @ T _{AMBIENT} = -40°C to +85°C	-40	+105	°C

¹ Must remain powered (even if the associated function is not used).

² If not used, power with V_{DDEXT}.

³ Balls that use V_{DDMEM} are DATA15-0, ADDR19-1, ABE1-0, ARE, AWE, AOE, AMS3-0, ARDY, SA10, SWE, SCAS, CLKOUT, SRAS, SMS, SCKE. These balls are not tolerant to voltages higher than V_{DDMEM}.

⁴ The V_{PPOTP} voltage for writes must only be applied when programming OTP memory. There is a finite amount of cumulative time that this voltage may be applied (dependent on voltage and junction temperature) over the lifetime of the part. Please see Table 27 on Page 36 for details.

⁵ When not using the USB peripheral on the ADSP-BF524/BF526 or terminating V_{DDUSB} on the ADSP-BF522, V_{DDUSB} must be powered by V_{DDEXT}.

⁶ Bidirectional balls (PF15-0, PG15-0, PH15-0) and input balls (RTXI, TCK, TDI, TMS, TRST, CLKIN, RESET, NMI, and BMODE3-0) of the ADSP-BF522/523/524/525/526/527 processors are 3.3 V tolerant (always accept up to 3.6 V maximum V_{IH}). Voltage compliance (on outputs, V_{OH}) is limited by the V_{DDEXT} supply voltage.

⁷ Parameter value applies to all input and bidirectional balls, except USB_DP, USB_DM, USB_VBUS, SDA, and SCL.

⁸ The V_{IHTWI} min and max value vary with the selection in the TWI_DT field of the NONGPIO_DRIVE register. See V_{BUSTWI} min and max values in Table 11.

⁹ SDA and SCL are pulled up to V_{BUSTWI}. See Table 11.

Table 11 shows settings for TWI_DT in the NONGPIO_DRIVE register. Set this register prior to using the TWI port.

Table 11. TWI_DT Field Selections and V_{DDEXT}/V_{BUSTWI}

TWI_DT	V_{DDEXT} Nominal	V_{BUSTWI} Minimum	V_{BUSTWI} Nominal	V_{BUSTWI} Maximum	Unit
000 (default) ¹	3.3	2.97	3.3	3.63	V
001	1.8	1.7	1.8	1.98	V
010	2.5	2.97	3.3	3.63	V
011	1.8	2.97	3.3	3.63	V
100	3.3	4.5	5	5.5	V
101	1.8	2.25	2.5	2.75	V
110	2.5	2.25	2.5	2.75	V
111 (reserved)	–	–	–	–	–

¹ Designs must comply with the V_{DDEXT} and V_{BUSTWI} voltages specified for the default TWI_DT setting for correct JTAG boundary scan operation during reset.

ADSP-BF522/524/526 Clock Related Operating Conditions

Table 12 describes the core clock timing requirements for the ADSP-BF522/524/526 processors. Take care in selecting MSEL, SSEL, and CSEL ratios so as not to exceed the maximum core clock and system clock (see Table 14). Table 13 describes phase-locked loop operating conditions.

Table 12. Core Clock (CCLK) Requirements—ADSP-BF522/524/526 Processors—All Speed Grades¹

Parameter		Max	Unit
f_{CCLK}	Core Clock Frequency ($V_{DDINT} = tbd^2$ V minimum)	400 ³	MHz
f_{CCLK}	Core Clock Frequency ($V_{DDINT} = tbd^4$ V minimum)	350	MHz
f_{CCLK}	Core Clock Frequency ($V_{DDINT} = tbd^5$ V minimum)	300	MHz
f_{CCLK}	Core Clock Frequency ($V_{DDINT} = tbd$ V minimum)	TBD	MHz
f_{CCLK}	Core Clock Frequency ($V_{DDINT} = tbd$ V minimum)	TBD	MHz

¹ See the [Ordering Guide on Page 80](#).

² Preliminary data indicates a value of 1.33 V.

³ Applies only to 400 MHz speed grade only. See the [Ordering Guide on Page 80](#).

⁴ Preliminary data indicates a value of 1.235 V.

⁵ Preliminary data indicates a value of 1.14 V.

Table 13. Phase-Locked Loop Operating Conditions

Parameter		Minimum	Maximum	Unit
f_{VCO}	Voltage Controlled Oscillator (VCO) Frequency	50	Speed Grade ¹	MHz

¹ See the [Ordering Guide on Page 80](#).

Table 14. ADSP-BF522/524/526 Processors Maximum SCLK Conditions

Parameter		$V_{DDEXT}/V_{DDMEM} = 1.8$ V/ 2.5 V/ 3.3 V Nominal	Unit
f_{SCLK}	CLKOUT/SCLK Frequency ($V_{DDINT} \geq tbd$ V) ¹	80	MHz
f_{SCLK}	CLKOUT/SCLK Frequency ($V_{DDINT} < tbd$ V)	tbd	MHz

¹ f_{SCLK} must be less than or equal to f_{CCLK} and is subject to additional restrictions for SDRAM interface operation. See [Table 34 on Page 44](#).

OPERATING CONDITIONS FOR ADSP-BF523/525/527

Parameter	Conditions	Min	Nominal	Max	Unit
V _{DDINT}	Internal Supply Voltage ¹	0.95		1.26	V
V _{DDEXT}	External Supply Voltage ^{2,3}	1.70	1.8, 2.5 or 3.3	3.6	V
V _{DDEXT}	External Supply Voltage ^{2,3}	2.25	2.5 or 3.3	3.6	V
V _{DDRTC}	RTC Power Supply Voltage ⁴	2.25		3.6	V
V _{DDMEM}	MEM Supply Voltage ^{2,5}	1.70	1.8, 2.5 or 3.3	3.6	V
V _{DDOTP}	OTP Supply Voltage ²	2.25	2.5	2.75	V
V _{PPOTP}	OTP Programming Voltage ²	2.25	2.5	2.75	V
V _{DDUSB}	USB Supply Voltage ⁶	3.0	3.3	3.6	V
V _{IH}	High Level Input Voltage ^{7,8}	V _{DDEXT} /V _{DDMEM} = 1.90 V	1.1	3.6	V
V _{IH}	High Level Input Voltage ^{7,8}	V _{DDEXT} /V _{DDMEM} = 2.75 V	1.7	3.6	V
V _{IH}	High Level Input Voltage ^{7,8}	V _{DDEXT} /V _{DDMEM} = 3.6 V	2.0	3.6	V
V _{IHTWI}	High Level Input Voltage	V _{DDEXT} = 1.90 V/2.75 V/3.6 V	0.7 x V _{BUSTWI}	V _{BUSTWI} ⁹	V
V _{IL}	Low Level Input Voltage ^{7,8}	V _{DDEXT} /V _{DDMEM} = 1.7 V	-0.3	0.6	V
V _{IL}	Low Level Input Voltage ^{7,8}	V _{DDEXT} /V _{DDMEM} = 2.25 V	-0.3	0.7	V
V _{IL}	Low Level Input Voltage ^{7,8}	V _{DDEXT} /V _{DDMEM} = 3.0 V	-0.3	0.8	V
V _{ILTWI}	Low Level Input Voltage	V _{DDEXT} = minimum	-0.3	0.3 x V _{BUSTWI} ¹⁰	V
T _J	Junction Temperature	289-Ball CSP_BGA @ T _{AMBIENT} = 0°C to +70°C	0	+105	°C
T _J	Junction Temperature	208-Ball CSP_BGA @ T _{AMBIENT} = 0°C to +70°C	0	+105	°C
T _J	Junction Temperature	208-Ball CSP_BGA @ T _{AMBIENT} = -40°C to +85°C	-40	+105	°C

¹ The voltage regulator can generate V_{DDINT} at levels of 1.00 V to 1.20 V with -5% to +5% tolerance when VRCTL is programmed with the sysctl API. This specification is only guaranteed when the API is used.

² Must remain powered (even if the associated function is not used).

³ V_{DDEXT} is the supply to the voltage regulator and GPIO.

⁴ If not used, power with V_{DDEXT}.

⁵ Balls that use V_{DDMEM} are DATA15-0, ADDR19-1, ABE1-0, ARE, AWE, AOE, AMS3-0, ARDY, SA10, SWE, SCAS, CLKOUT, SRAS, SMS, SCKE. These balls are not tolerant to voltages higher than V_{DDMEM}.

⁶ When not using the USB peripheral on the ADSP-BF525/BF527 or terminating V_{DDUSB} on the ADSP-BF523, V_{DDUSB} must be powered by V_{DDEXT}.

⁷ Bidirectional balls (PF15-0, PG15-0, PH15-0) and input balls (RTXI, TCK, TDI, TMS, TRST, CLKIN, RESET, NMI, and BMODE3-0) of the ADSP-BF522/523/524/525/526/527 processors are 3.3 V tolerant (always accept up to 3.6 V maximum V_{IH}). Voltage compliance (on outputs, V_{OH}) is limited by the V_{DDEXT} supply voltage.

⁸ Parameter value applies to all input and bidirectional balls, except USB_DP, USB_DM, USB_VBUS, SDA, and SCL.

⁹ The V_{IHTWI} min and max value vary with the selection in the TWI_DT field of the NONGPIO_DRIVE register. See V_{BUSTWI} min and max values in Table 11 on Page 28.

¹⁰ SDA and SCL are pulled up to V_{BUSTWI}. See Table 11 on Page 28.

ADSP-BF523/525/527 Clock Related Operating Conditions

Table 15 describes the core clock timing requirements for the ADSP-BF523/525/527 processors. Take care in selecting MSEL, SSEL, and CSEL ratios so as not to exceed the maximum core clock and system clock (see Table 17). Table 16 describes phase-locked loop operating conditions.

Table 15. Core Clock (CCLK) Requirements—ADSP-BF523/525/527 Processors—All Speed Grades¹

Parameter	Internal Regulator Setting	Max	Unit	
f_{CCLK}	Core Clock Frequency ($V_{\text{DDINT}} = 1.14 \text{ V}$ minimum) ²	1.20 V	600	MHz
f_{CCLK}	Core Clock Frequency ($V_{\text{DDINT}} = 1.093 \text{ V}$ minimum) ³	1.15 V	533	MHz
f_{CCLK}	Core Clock Frequency ($V_{\text{DDINT}} = 0.95 \text{ V}$ minimum)	1.0 V	400	MHz

¹ See the [Ordering Guide on Page 80](#).

² Applies only to 600 MHz speed grades. See the [Ordering Guide on Page 80](#).

³ Applies only to 533 MHz and 600 MHz speed grades. See the [Ordering Guide on Page 80](#).

Table 16. Phase-Locked Loop Operating Conditions

Parameter	Minimum	Maximum	Unit	
f_{VCO}	Voltage Controlled Oscillator (VCO) Frequency	50	Speed Grade ¹	MHz

¹ See the [Ordering Guide on Page 80](#).

Table 17. ADSP-BF523/525/527 Processors Maximum SCLK Conditions

Parameter	$V_{\text{DDEXT}}/V_{\text{DDMEM}} = 1.8 \text{ V}$ Nominal ¹	$V_{\text{DDEXT}}/V_{\text{DDMEM}} = 2.5 \text{ V}/3.3 \text{ V}$ Nominal	Unit	
f_{SCLK}	CLKOUT/SCLK Frequency ($V_{\text{DDINT}} \geq 1.14 \text{ V}$) ²	100	133 ³	MHz
f_{SCLK}	CLKOUT/SCLK Frequency ($V_{\text{DDINT}} < 1.14 \text{ V}$) ²	100	100	MHz

¹ If either V_{DDEXT} or V_{DDMEM} are operating at 1.8V nominal, f_{SCLK} is constrained to 100MHz.

² f_{SCLK} must be less than or equal to f_{CCLK} and is subject to additional restrictions for SDRAM interface operation. See [Table 34 on Page 44](#).

³ Rounded number. Actual test specification is SCLK period of 7.5 ns. See [Table 34 on Page 44](#).

ELECTRICAL CHARACTERISTICS

Table 18. Common Electrical Characteristics For All ADSP-BF522/523/524/525/526/527 Processors

Parameter	Test Conditions	Min	Typical	Max	Unit
V _{OH}	High Level Output Voltage V _{DDEXT} /V _{DDMEM} = 1.7 V, I _{OH} = -0.5 mA	1.35			V
V _{OH}	High Level Output Voltage V _{DDEXT} /V _{DDMEM} = 2.25 V, I _{OH} = -0.5 mA	2.0			V
V _{OH}	High Level Output Voltage V _{DDEXT} /V _{DDMEM} = 3.0 V, I _{OH} = -0.5 mA	2.4			V
V _{OL}	Low Level Output Voltage V _{DDEXT} /V _{DDMEM} = 1.7/2.25/3.0 V, I _{OL} = 2.0 mA			0.4	V
I _{IH}	High Level Input Current ¹ V _{DDEXT} /V _{DDMEM} = 3.6 V, V _{IN} = 3.6 V			10.0	μA
I _{IL}	Low Level Input Current ¹ V _{DDEXT} /V _{DDMEM} = 3.6 V, V _{IN} = 0 V			10.0	μA
I _{IHP}	High Level Input Current JTAG ² V _{DDEXT} = 3.6 V, V _{IN} = 3.6 V			75.0	μA
I _{OZH}	Three-State Leakage Current ³ V _{DDEXT} /V _{DDMEM} = 3.6 V, V _{IN} = 3.6 V			10.0	μA
I _{OZHTWI}	Three-State Leakage Current ⁴ V _{DDEXT} = 3.0 V, V _{IN} = 5.5 V			10.0	μA
I _{OZL}	Three-State Leakage Current ³ V _{DDEXT} /V _{DDMEM} = 3.6 V, V _{IN} = 0 V			10.0	μA
C _{IN}	Input Capacitance ⁵ f _{IN} = 1 MHz, T _{AMBIENT} = 25°C, V _{IN} = 2.5 V		5	8 ⁶	pF

¹ Applies to input balls.

² Applies to JTAG input balls (TCK, TDI, TMS, $\overline{\text{TRST}}$).

³ Applies to three-statable balls.

⁴ Applies to bidirectional balls SCL and SDA.

⁵ Applies to all signal balls.

⁶ Guaranteed, but not tested.

Table 19. Electrical Characteristics For ADSP-BF522/524/526 Processors

Parameter	Test Conditions	Min	Typical	Max	Unit
I _{DDDEEPSLEEP} ¹	V _{DDINT} Current in Deep Sleep Mode V _{DDINT} = 1.0 V, f _{CCLK} = 0 MHz, f _{SCLK} = 0 MHz, T _J = 25°C, ASF = 0.00		TBD		mA
I _{DDSLLEEP}	V _{DDINT} Current in Sleep Mode V _{DDINT} = 1.0 V, f _{SCLK} = 25 MHz, T _J = 25°C		TBD		mA
I _{DD-IDLE}	V _{DDINT} Current in Idle V _{DDINT} = 1.0 V, f _{CCLK} = 50 MHz, T _J = 25°C, ASF = 0.44		TBD		mA
I _{DD-TYP}	V _{DDINT} Current V _{DDINT} = 1.0 V, f _{CCLK} = 400 MHz, T _J = 25°C, ASF = 1.00		TBD		mA
I _{DD-TYP}	V _{DDINT} Current V _{DDINT} = 1.15 V, f _{CCLK} = 533 MHz, T _J = 25°C, ASF = 1.00		TBD		mA
I _{DD-TYP}	V _{DDINT} Current V _{DDINT} = 1.2 V, f _{CCLK} = 600 MHz, T _J = 25°C, ASF = 1.00		TBD		mA

Table 19. Electrical Characteristics For ADSP-BF522/524/526 Processors (Continued)

Parameter	Test Conditions	Min	Typical	Max	Unit
$I_{DDHIBERNATE}^{1,2}$ Hibernate State Current	$V_{DDEXT}=V_{DDMEM}=V_{DDRTC}=V_{DDUSB} = 3.30\text{ V}$, $V_{DDOTP}=V_{PPOTP}=2.5\text{ V}$, $T_J = 25^\circ\text{C}$, CLKIN = 0 MHz with voltage regulator off ($V_{DDINT} = 0\text{ V}$)		TBD		μA
I_{DDRTC} V_{DDRTC} Current	$V_{DDRTC} = 3.3\text{ V}$, $T_J = 25^\circ\text{C}$		TBD		μA
$I_{DDUSB-FS}$ V_{DDUSB} Current in Full/Low Speed Mode	$V_{DDUSB} = 3.3\text{ V}$, $T_J = 25^\circ\text{C}$, Full Speed USB Transmit		TBD		mA
$I_{DDUSB-HS}$ V_{DDUSB} Current in High Speed Mode	$V_{DDUSB} = 3.3\text{ V}$, $T_J = 25^\circ\text{C}$, High Speed USB Transmit		TBD		mA
$I_{DDSLLEEP}^{1,3}$ V_{DDINT} Current in Sleep Mode	$f_{CCLK} = 0\text{ MHz}$, $f_{SCLK} > 0\text{ MHz}$			Table 22 + (TBD $\times V_{DDINT} \times f_{SCLK}$) ⁴	mA ⁴
$I_{DDDEEPSLEEP}^{1,3}$ V_{DDINT} Current in Deep Sleep Mode	$f_{CCLK} = 0\text{ MHz}$, $f_{SCLK} = 0\text{ MHz}$			Table 22	mA
$I_{DDINT}^{3,5}$ V_{DDINT} Current	$f_{CCLK} > 0\text{ MHz}$, $f_{SCLK} \geq 0\text{ MHz}$			Table 22 + (Table 24 \times ASF) + (TBD $\times V_{DDINT} \times f_{SCLK}$)	mA

¹ See the ADSP-BF522/523/524/525/526/527 Blackfin Processor Hardware Reference Manual for definition of sleep, deep sleep, and hibernate operating modes.

² Includes current on V_{DDEXT} , V_{DDUSB} , V_{DDMEM} , V_{DDOTP} , and V_{PPOTP} supplies. Clock inputs are tied high or low.

³ Guaranteed maximum specifications.

⁴ Unit for V_{DDINT} is V (Volts). Unit for f_{SCLK} is MHz. Example: TBD V, TBD MHz would be TBD \times TBD \times TBD = TBD mA adder.

⁵ See Table 21 for the list of I_{DDINT} power vectors covered.

Table 20. Electrical Characteristics For ADSP-BF523/525/527 Processors

Parameter	Test Conditions	Min	Typical	Max	Unit
$I_{DDDEEPSLEEP}^1$ V_{DDINT} Current in Deep Sleep Mode	$V_{DDINT} = 1.0\text{ V}$, $f_{CCLK} = 0\text{ MHz}$, $f_{SCLK} = 0\text{ MHz}$, $T_J = 25^\circ\text{C}$, ASF = 0.00		10		mA
$I_{DDSLLEEP}$ V_{DDINT} Current in Sleep Mode	$V_{DDINT} = 1.0\text{ V}$, $f_{SCLK} = 25\text{ MHz}$, $T_J = 25^\circ\text{C}$		15		mA
$I_{DD-IDLE}$ V_{DDINT} Current in Idle	$V_{DDINT} = 1.0\text{ V}$, $f_{CCLK} = 50\text{ MHz}$, $T_J = 25^\circ\text{C}$, ASF = 0.44		49		mA
I_{DD-TYP} V_{DDINT} Current	$V_{DDINT} = 1.0\text{ V}$, $f_{CCLK} = 400\text{ MHz}$, $T_J = 25^\circ\text{C}$, ASF = 1.00		98		mA
I_{DD-TYP} V_{DDINT} Current	$V_{DDINT} = 1.15\text{ V}$, $f_{CCLK} = 533\text{ MHz}$, $T_J = 25^\circ\text{C}$, ASF = 1.00		149		mA
I_{DD-TYP} V_{DDINT} Current	$V_{DDINT} = 1.2\text{ V}$, $f_{CCLK} = 600\text{ MHz}$, $T_J = 25^\circ\text{C}$, ASF = 1.00		176		mA

Table 20. Electrical Characteristics For ADSP-BF523/525/527 Processors (Continued)

Parameter	Test Conditions	Min	Typical	Max	Unit
$I_{DDHIBERNATE}^{1,2}$ Hibernate State Current	$V_{DDEXT}=V_{DDMEM}=V_{DDRTC}=V_{DDUSB}=3.30\text{ V}$, $V_{DDOTP}=V_{PPOTP}=2.5\text{ V}$, $T_J=25^\circ\text{C}$, CLKIN = 0 MHz with voltage regulator off ($V_{DDINT}=0\text{ V}$)		40		μA
I_{DDRTC} V_{DDRTC} Current	$V_{DDRTC}=3.3\text{ V}$, $T_J=25^\circ\text{C}$		20		μA
$I_{DDUSB-FS}$ V_{DDUSB} Current in Full/Low Speed Mode	$V_{DDUSB}=3.3\text{ V}$, $T_J=25^\circ\text{C}$, Full Speed USB Transmit		9		mA
$I_{DDUSB-HS}$ V_{DDUSB} Current in High Speed Mode	$V_{DDUSB}=3.3\text{ V}$, $T_J=25^\circ\text{C}$, High Speed USB Transmit		25		mA
$I_{DDSLLEEP}^{1,3}$ V_{DDINT} Current in Sleep Mode	$f_{CCLK}=0\text{ MHz}$, $f_{SCLK}>0\text{ MHz}$			Table 23 + $(0.43 \times V_{DDINT} \times f_{SCLK})^4$	mA ⁴
$I_{DDDEEPSLEEP}^{1,3}$ V_{DDINT} Current in Deep Sleep Mode	$f_{CCLK}=0\text{ MHz}$, $f_{SCLK}=0\text{ MHz}$			Table 23	mA
$I_{DDINT}^{3,5}$ V_{DDINT} Current	$f_{CCLK}>0\text{ MHz}$, $f_{SCLK}\geq 0\text{ MHz}$			Table 23 + (Table 25 \times ASF) + $(0.43 \times V_{DDINT} \times f_{SCLK})$	mA

¹ See the ADSP-BF522/523/524/525/526/527 Blackfin Processor Hardware Reference Manual for definition of sleep, deep sleep, and hibernate operating modes.

² Includes current on V_{DDEXT} , V_{DDUSB} , V_{DDMEM} , V_{DDOTP} , and V_{PPOTP} supplies. Clock inputs are tied high or low.

³ Guaranteed maximum specifications.

⁴ Unit for V_{DDINT} is V (Volts). Unit for f_{SCLK} is MHz. Example: TBD V, TBD MHz would be TBD \times TBD \times TBD = TBD mA adder.

⁵ See Table 21 for the list of I_{DDINT} power vectors covered.

Total Power Dissipation

Total power dissipation has two components:

1. Static, including leakage current
2. Dynamic, due to transistor switching characteristics

Many operating conditions can also affect power dissipation, including temperature, voltage, operating frequency, and processor activity. Electrical Characteristics on Page 31 shows the current dissipation for internal circuitry (V_{DDINT}). $I_{DDDEEPSLEEP}$ specifies static power dissipation as a function of voltage (V_{DDINT}) and temperature (see Table 22 or Table 23), and I_{DDINT} specifies the total power specification for the listed test conditions, including the dynamic component as a function of voltage (V_{DDINT}) and frequency (Table 24 or Table 25).

There are two parts to the dynamic component. The first part is due to transistor switching in the core clock (CCLK) domain. This part is subject to an Activity Scaling Factor (ASF) which represents application code running on the processor core and L1/L2 memories (Table 21).

The ASF is combined with the CCLK Frequency and V_{DDINT} dependent data in Table 24 or Table 25 to calculate this part. The second part is due to transistor switching in the system clock (SCLK) domain, which is included in the I_{DDINT} specification equation.

Table 21. Activity Scaling Factors (ASF)¹

I_{DDINT} Power Vector	Activity Scaling Factor (ASF)
$I_{DD-PEAK}$	1.29
$I_{DD-HIGH}$	1.26
I_{DD-TYP}	1.00
I_{DD-APP}	0.88
I_{DD-NOP}	0.72
$I_{DD-IDLE}$	0.44

¹ See Estimating Power for ASDP-BF534/BF536/BF537 Blackfin Processors (EE-297). The power vector information also applies to the ADSP-BF52x processors.

Table 22. ADSP-BF522/524/526 Static Current - $I_{DD-DEEPSLEEP}$ (mA)¹

T_J (°C) ²	Voltage (V_{DDINT}) ²							
	TBD V	TBD V	TBD V	TBD V	TBD V	TBD V	TBD V	TBD V
-40	TBD	TBD	TBD	TBD	TBD	TBD	TBD	TBD
-20	TBD	TBD	TBD	TBD	TBD	TBD	TBD	TBD
0	TBD	TBD	TBD	TBD	TBD	TBD	TBD	TBD
25	TBD	TBD	TBD	TBD	TBD	TBD	TBD	TBD
40	TBD	TBD	TBD	TBD	TBD	TBD	TBD	TBD
55	TBD	TBD	TBD	TBD	TBD	TBD	TBD	TBD
70	TBD	TBD	TBD	TBD	TBD	TBD	TBD	TBD
85	TBD	TBD	TBD	TBD	TBD	TBD	TBD	TBD
100	TBD	TBD	TBD	TBD	TBD	TBD	TBD	TBD
105	TBD	TBD	TBD	TBD	TBD	TBD	TBD	TBD

¹ Values are guaranteed maximum $I_{DD-DEEPSLEEP}$ for non-automotive 400 MHz speed-grade devices.

² Valid temperature and voltage ranges are model-specific. See [Operating Conditions for ADSP-BF522/524/526 on Page 27](#).

Table 23. ADSP-BF523/525/527 Static Current - $I_{DD-DEEPSLEEP}$ (mA)¹

T_J (°C) ²	Voltage (V_{DDINT}) ²							
	0.95 V	1.00 V	1.05 V	1.10 V	1.15 V	1.20 V	1.25 V	1.30 V
-40	6.5	7.8	9.3	11.1	13.1	15.4	18.0	21.0
-20	9.0	10.6	12.4	14.6	17.0	19.8	22.9	26.4
0	13.2	15.2	17.7	20.4	23.5	27.0	30.9	35.3
25	22.3	25.4	28.9	32.8	37.2	42.1	47.6	53.7
40	30.8	34.8	39.2	44.1	49.6	55.7	62.5	70.0
55	42.9	47.9	53.6	59.9	66.9	74.6	83.2	92.6
70	59.1	65.6	72.9	80.8	89.7	99.4	110.2	122.0
85	80.4	88.6	97.9	107.8	119.2	131.5	145.1	159.8
100	109.3	118.7	130.5	143.2	157.4	172.8	189.7	208.1
105	120.8	132.1	144.7	158.8	174.2	190.9	209.3	229.2

¹ Values are guaranteed maximum $I_{DD-DEEPSLEEP}$ for non-automotive 400 MHz speed-grade devices.

² Valid temperature and voltage ranges are model-specific. See [Operating Conditions for ADSP-BF523/525/527 on Page 29](#).

Table 24. ADSP-BF522/524/526 Dynamic Current in CCLK Domain (mA, with ASF = 1.0)¹

f _{CCLK} (MHz) ²	Voltage (V _{DDINT}) ²							
	TBD V	TBD V	TBD V	TBD V	TBD V	TBD V	TBD V	TBD V
400	TBD	TBD	TBD	TBD	TBD	TBD	TBD	TBD
300	TBD	TBD	TBD	TBD	TBD	TBD	TBD	TBD
200	TBD	TBD	TBD	TBD	TBD	TBD	TBD	TBD
100	TBD	TBD	TBD	TBD	TBD	TBD	TBD	TBD

¹ The values are not guaranteed as stand-alone maximum specifications. They must be combined with static current per the equations of [Electrical Characteristics on Page 31](#).

² Valid frequency and voltage ranges are model-specific. See [Operating Conditions for ADSP-BF522/524/526 on Page 27](#).

Table 25. ADSP-BF523/525/527 Dynamic Current in CCLK Domain (mA, with ASF = 1.0)¹

f _{CCLK} (MHz) ²	Voltage (V _{DDINT}) ²							
	0.95 V	1.00 V	1.05 V	1.10 V	1.15 V	1.20 V	1.25 V	1.30 V
600	n/a	n/a	n/a	n/a	130.4	137.6	145.1	152.5
533	n/a	n/a	n/a	110.3	116.7	123.3	129.8	136.4
500	n/a	n/a	97.3	103.1	109.1	115.0	121.3	127.7
400	69.8	74.3	78.9	83.6	88.5	93.5	98.6	103.9
300	53.4	56.9	60.4	64.1	68.0	71.8	75.8	80.0
200	36.9	39.4	41.9	44.6	47.4	50.1	53.0	56.0
100	20.5	22.0	23.6	25.3	27.0	28.8	30.6	32.5

¹ The values are not guaranteed as stand-alone maximum specifications. They must be combined with static current per the equations of [Electrical Characteristics on Page 31](#).

² Valid frequency and voltage ranges are model-specific. See [Operating Conditions for ADSP-BF523/525/527 on Page 29](#).

ABSOLUTE MAXIMUM RATINGS

Stresses greater than those listed in the table may cause permanent damage to the device. These are stress ratings only. Functional operation of the device at these or any other conditions greater than those indicated in the operational sections of this specification is not implied. Exposure to absolute maximum rating conditions for extended periods may affect device reliability.

Parameter	Rating
Internal Supply Voltage (V_{DDINT}), for ADSP-BF523/525/527 processors	-0.3 V to +1.26 V
Internal Supply Voltage (V_{DDINT}), for ADSP-BF522/524/526 processors	TBD V to TBD V
External (I/O) Supply Voltage (V_{DDEXT}/V_{DDMEM})	-0.3 V to +3.8 V
Input Voltage ^{1,2}	-0.5 V to +3.6 V
Input Voltage ^{1,2,3}	-0.5 V to +5.5 V
Input Voltage ^{1,2,4}	-0.5 V to +5.25 V
Output Voltage Swing	-0.5 V to $V_{DDEXT}/V_{DDMEM} + 0.5$ V
Load Capacitance ⁵	200 pF
I_{OH}/I_{OL} Current per Pin Group ⁶	80 mA (max)
Storage Temperature Range	-65°C to +150°C
Junction Temperature Underbias	+110°C

¹ Applies to 100% transient duty cycle. For other duty cycles see Table 26.

² Applies only when V_{DDEXT} is within specifications. When V_{DDEXT} is outside specifications, the range is $V_{DDEXT} \pm 0.2$ Volts.

³ Applies to balls SCL and SDA.

⁴ Applies to balls USB_DP, USB_DM, and USB_VBUS.

⁵ For proper SDRAM controller operation, the maximum load capacitance is 50 pF (at 3.3 V) or 30 pF (at 2.5 V) for ADDR19-1, DATA15-0, ABE1-0/SDQM1-0, CLKOUT, SCKE, SA10, SRAS, SCAS, SWE, and SMS.

⁶ For more information, see description preceeding Table 28.

Table 26. Maximum Duty Cycle for Input Transient Voltage¹

V_{IN} Min (V)	V_{IN} Max (V)	Maximum Duty Cycle
TBD	TBD	100 %
TBD	TBD	40%
TBD	TBD	25%
TBD	TBD	15%
TBD	TBD	10%

¹ Applies to all signal balls with the exception of CLKIN, XTAL, $\overline{VR_{OUT}}$ /EXT_WAKE1.

When programming OTP memory on the ADSP-BF522/524/526 processors, the VPPOTP ball must be set to the write value specified in the [Operating Conditions for ADSP-BF522/524/526 on Page 27](#). There is a finite amount of cumulative time that the write voltage may be applied (dependent on voltage and junction temperature) to VPPOTP over the lifetime of the part. Therefore, maximum OTP memory programming

time for the ADSP-BF522/524/526 processors is shown in [Table 27](#). The ADSP-BF523/525/527 processors do not have a similar restriction.

Table 27. Maximum OTP Memory Programming Time for ADSP-BF522/524/526 Processors

VPPOTP Voltage (V)	Temperature (T_J)			
	25°C	85°C	110°C	125°C
6.9	tbd sec	tbd sec	tbd sec	tbd sec
7.0	2400 sec	tbd sec	tbd sec	tbd sec
7.1	1000 sec	tbd sec	tbd sec	tbd sec

The Absolute Maximum Ratings table specifies the maximum total source/sink (I_{OH}/I_{OL}) current for a group of pins. Permanent damage can occur if this value is exceeded. To understand this specification, if pins PH4, PH3, PH2, PH1, and PH0 from group 1 in the [Total Current Pin Groups](#) table, each were sourcing or sinking 2 mA each, the total current for those pins would be 10 mA. This would allow up to 70 mA total that could be sourced or sunk by the remaining pins in the group without damaging the device. For a list of all groups and their pins, see the [Total Current Pin Groups](#) table. Note that the V_{OL} and V_{OH} specifications have separate per-pin maximum current requirements, see the [Electrical Characteristics For ADSP-BF522/524/526 Processors](#) and [Electrical Characteristics For ADSP-BF523/525/527 Processors](#) tables.

Table 28. Total Current Pin Groups

Group	Pins in Group
1	PH4, PH3, PH2, PH1, PH0, PF15, PF14, PF13
2	PF12, SDA, SCL, PF11, PF10, PF9, PF8, PF7
3	PF6, PF5, PF4, PF3, PF2, PF1, PF0, PPI_FS1
4	PPI_CLK, PG15, PG14, PG13, PG12, PG11, PG10, PG9
5	PG8, PG7, PG6, PG5, PG4, BMODE3, BMODE2, BMODE1
6	BMODE0, PG3, PG2, PG1, PG0, TDI, TDO, EMU,
7	TCK, \overline{TRST} , TMS,
8	DATA15, DATA14, DATA13, DATA12, DATA11, DATA10
9	DATA9, DATA8, DATA7, DATA6, DATA5, DATA4
10	DATA3, , DATA2, , DATA1, , DATA0, ADDR19, ADDR18
11	ADDR17, ADDR16, ADDR15, ADDR14, ADDR13
12	ADDR12, ADDR11, ADDR10, ADDR9, ADDR8, ADDR7
13	ADDR6, ADDR5, ADDR4, ADDR3, ADDR2, ADDR1
14	$\overline{ABE1}$, $\overline{ABE0}$, SA10, \overline{SWE} , SCAS, SRAS
15	\overline{SMS} , SCKE, ARDY, \overline{AWE} , \overline{ARE} , \overline{AOE}
16	$\overline{AMS3}$, $\overline{AMS2}$, $\overline{AMS1}$, $\overline{AMS0}$, CLKOUT

ESD SENSITIVITY



ESD (electrostatic discharge) sensitive device.
 Charged devices and circuit boards can discharge without detection. Although this product features patented or proprietary circuitry, damage may occur on devices subjected to high energy ESD. Therefore, proper ESD precautions should be taken to avoid performance degradation or loss of functionality.

PACKAGE INFORMATION

The information presented in [Figure 8](#) and [Table 29](#) provides details about the package branding for the ADSP-BF522/524/526 and ADSP-BF523/525/527 processors. For a complete listing of product availability, see [Ordering Guide on Page 80](#).



Figure 8. Product Information on Package

Table 29. Package Brand Information

Brand Key	Field Description
ADSP-BF52x	Product Name ¹
t	Temperature Range
pp	Package Type
Z	RoHS Compliant Designation
ccc	See Ordering Guide
vvvvv.x	Assembly Lot Code
n.n	Silicon Revision
yyww	Date Code

¹ See product names in the [Ordering Guide on Page 80](#).

TIMING SPECIFICATIONS

Clock and Reset Timing

Table 30 and Figure 9 describe clock and reset operations. Per the CCLK and SCLK timing specifications in Table 12 to Table 17, combinations of CLKIN and clock multipliers must not select core/peripheral clocks in excess of the processor's speed grade.

Table 30. Clock and Reset Timing

Parameter		Min	Max	Unit
<i>Timing Requirements</i>				
t_{CKIN}	CLKIN Period	20.0	100.0	ns
t_{CKINL}	CLKIN Low Pulse ¹	10.0		ns
t_{CKINH}	CLKIN High Pulse ¹	10.0		ns
t_{WRST}	\overline{RESET} Asserted Pulse Width Low ²	$11 \times t_{CKIN}$		ns
<i>Switching Characteristic</i>				
$t_{BUFDLAY}$	CLKIN to CLKBUF Delay		10	ns

¹ Applies to bypass mode and non-bypass mode.

² Applies after power-up sequence is complete. At power-up, the processor's internal phase-locked loop requires no more than 2000 CLKIN cycles, while \overline{RESET} is asserted, assuming stable power supplies and CLKIN (not including start-up time of external clock oscillator).

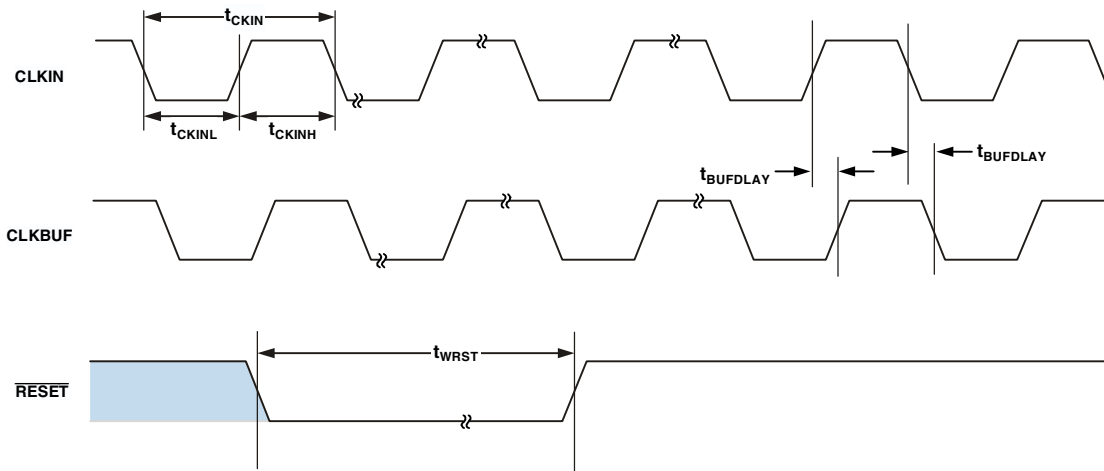


Figure 9. Clock and Reset Timing

Asynchronous Memory Read Cycle Timing

Table 31. Asynchronous Memory Read Cycle Timing

Parameter		$V_{DDMEM} = 1.8\text{ V}$		$V_{DDMEM} = 2.5/3.3\text{ V}$		Unit
		Min	Max	Min	Max	
<i>Timing Requirements</i>						
t_{SDAT}	DATA15-0 Setup Before CLKOUT	2.1		2.1		ns
t_{HDAT}	DATA15-0 Hold After CLKOUT	0.9		0.8		ns
t_{SARDY}	ARDY Setup Before CLKOUT	4.0		4.0		ns
t_{HARDY}	ARDY Hold After CLKOUT	0.2		0.2		ns
<i>Switching Characteristics</i>						
t_{DO}	Output Delay After CLKOUT ¹		6.0		6.0	ns
t_{HO}	Output Hold After CLKOUT ¹	0.8		0.8		ns

¹ Output balls include $\overline{AMS3-0}$, $\overline{ABE1-0}$, $\overline{ADDR19-1}$, \overline{AOE} , \overline{ARE} .

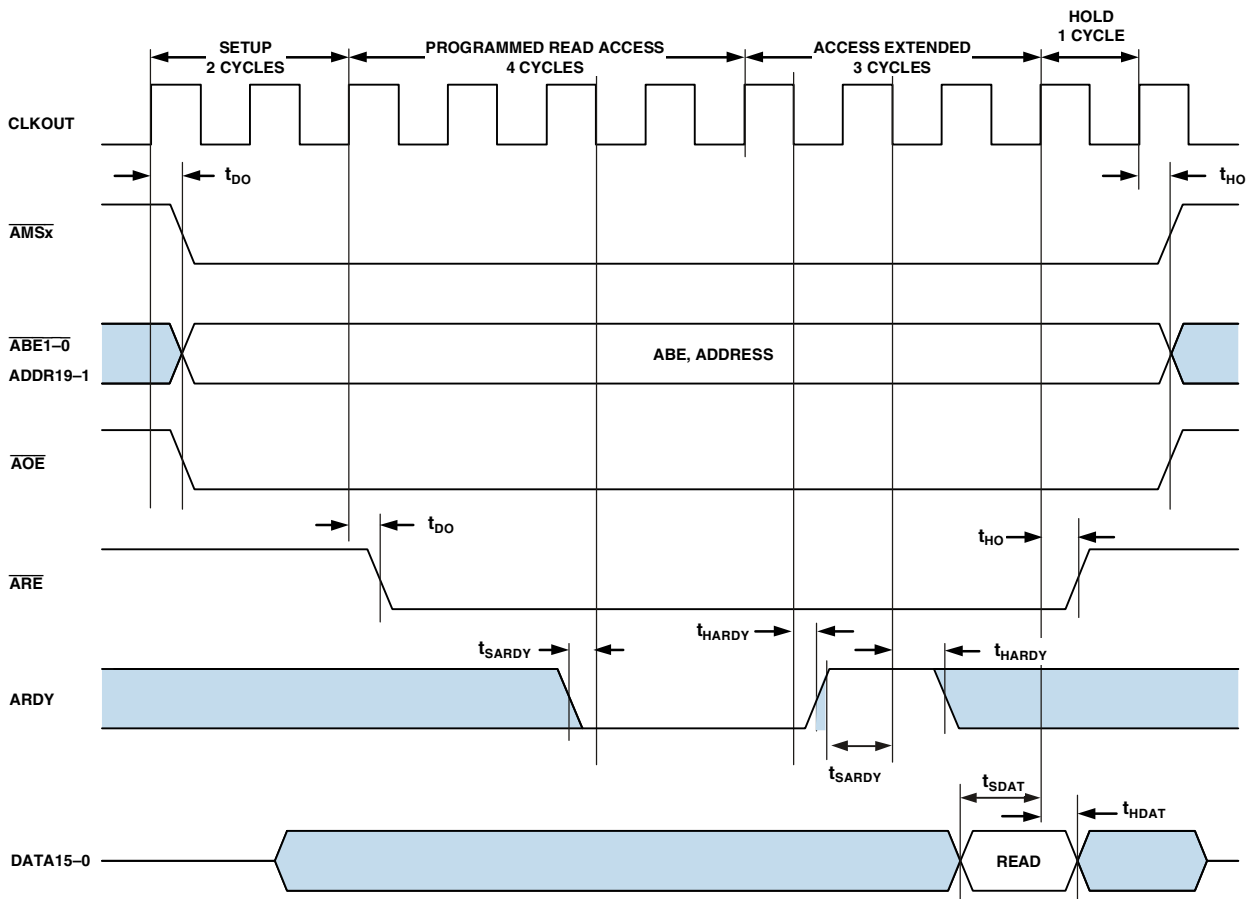


Figure 10. Asynchronous Memory Read Cycle Timing

Asynchronous Memory Write Cycle Timing

Table 32. Asynchronous Memory Write Cycle Timing

Parameter	$V_{DDMEM} = 1.8\text{ V}$		$V_{DDMEM} = 2.5/3.3\text{ V}$		Unit
	Min	Max	Min	Max	
<i>Timing Requirements</i>					
t_{SARDY}	ARDY Setup Before CLKOUT		4.0		ns
t_{HARDY}	ARDY Hold After CLKOUT		0.2		ns
<i>Switching Characteristics</i>					
t_{DDAT}	DATA15-0 Disable After CLKOUT			6.0	ns
t_{ENDAT}	DATA15-0 Enable After CLKOUT		0.0		ns
t_{DO}	Output Delay After CLKOUT ¹			6.0	ns
t_{HO}	Output Hold After CLKOUT ¹		0.8		ns

¹ Output balls include AMS3-0, ABE1-0, ADDR19-1, DATA15-0, AOE, AWE.

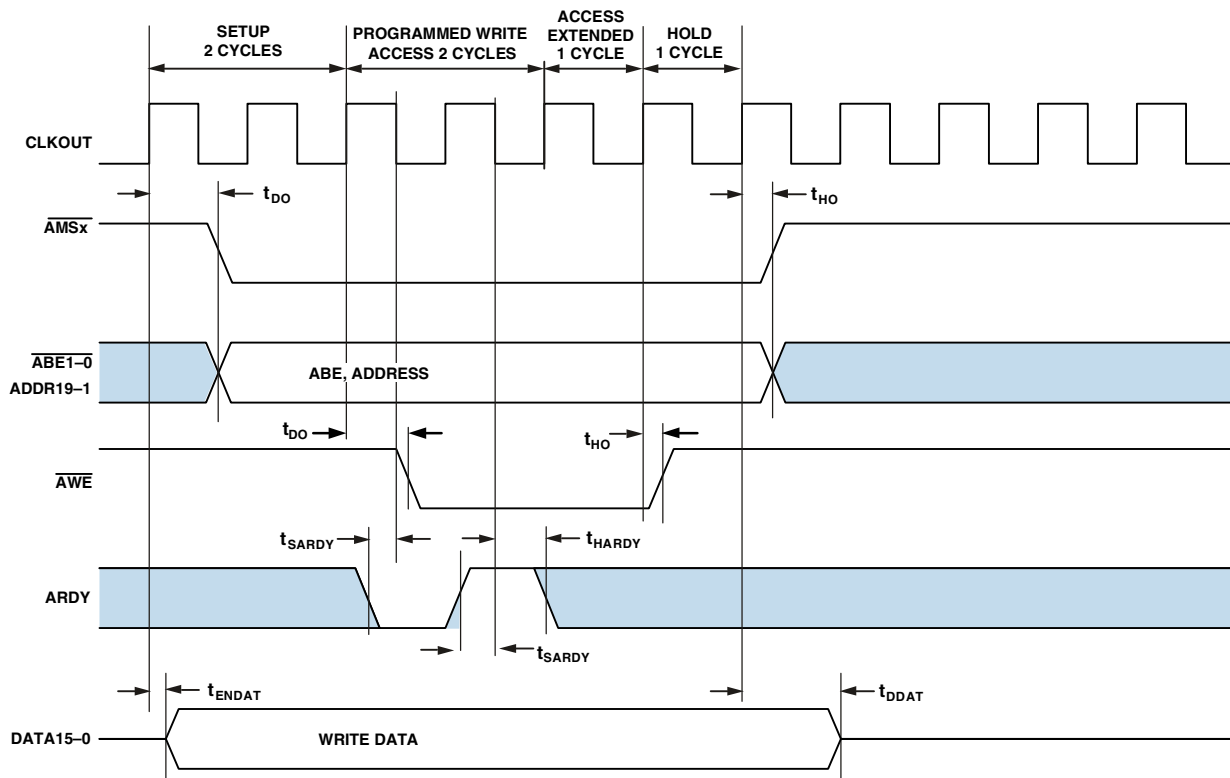


Figure 11. Asynchronous Memory Write Cycle Timing

NAND Flash Controller Interface Timing

Table 33 and Figure 12 on Page 41 through Figure 16 on Page 43 describe NAND Flash Controller Interface operations.

Table 33. NAND Flash Controller Interface Timing

Parameter	Min	Max	Unit
Write Cycle			
<i>Switching Characteristics</i>			
t_{CWL}	$1.0 \times t_{SCLK} - 4$		ns
t_{CH}	$3.0 \times t_{SCLK} - 4$		ns
t_{CLEWL}	0.0		ns
t_{CLH}	$2.5 \times t_{SCLK} - 4$		ns
t_{ALEWL}	0.0		ns
t_{ALH}	$2.5 \times t_{SCLK} - 4$		ns
t_{WP}^1	$(WR_DLY + 1.0) \times t_{SCLK} - 4$		ns
t_{WHWL}	$4.0 \times t_{SCLK} - 4$		ns
t_{WC}^1	$(WR_DLY + 5.0) \times t_{SCLK} - 4$		ns
t_{DWS}^1	$(WR_DLY + 1.5) \times t_{SCLK} - 4$		ns
t_{DWH}	$2.5 \times t_{SCLK} - 4$		ns
Read Cycle			
<i>Switching Characteristics</i>			
t_{CRL}	$1.0 \times t_{SCLK} - 4$		ns
t_{CRH}	$3.0 \times t_{SCLK} - 4$		ns
t_{RP}^1	$(RD_DLY + 1.0) \times t_{SCLK} - 4$		ns
t_{RHRL}	$4.0 \times t_{SCLK} - 4$		ns
t_{RC}^1	$(RD_DLY + 5.0) \times t_{SCLK} - 4$		ns
<i>Timing Requirements</i>			
t_{DRS}	8.0 ²		ns
t_{DRH}	0.0		ns
Write Followed by Read			
<i>Switching Characteristics</i>			
t_{WHRL}	$5.0 \times t_{SCLK} - 4$		ns

¹ WR_DLY and RD_DLY are defined in the NFC_CTL register.

² The only parameter that differs from 1.8V to 2.5/3.3V operation is t_{DRS} , which is 8.0ns at 2.5/3.3V and is 11ns at 1.8V.

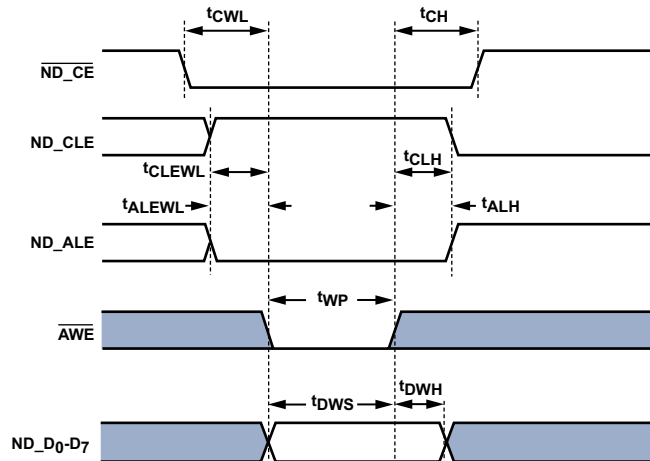


Figure 12. NAND Flash Controller Interface Timing - Command Write Cycle

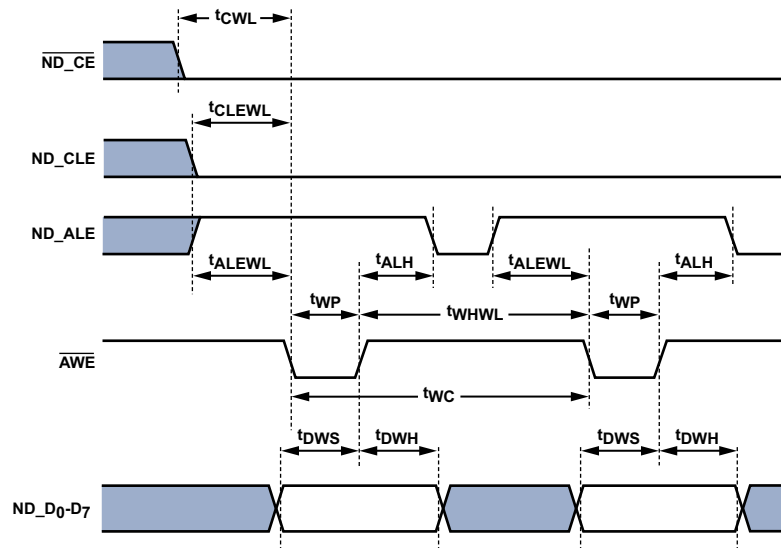


Figure 13. NAND Flash Controller Interface Timing - Address Write Cycle

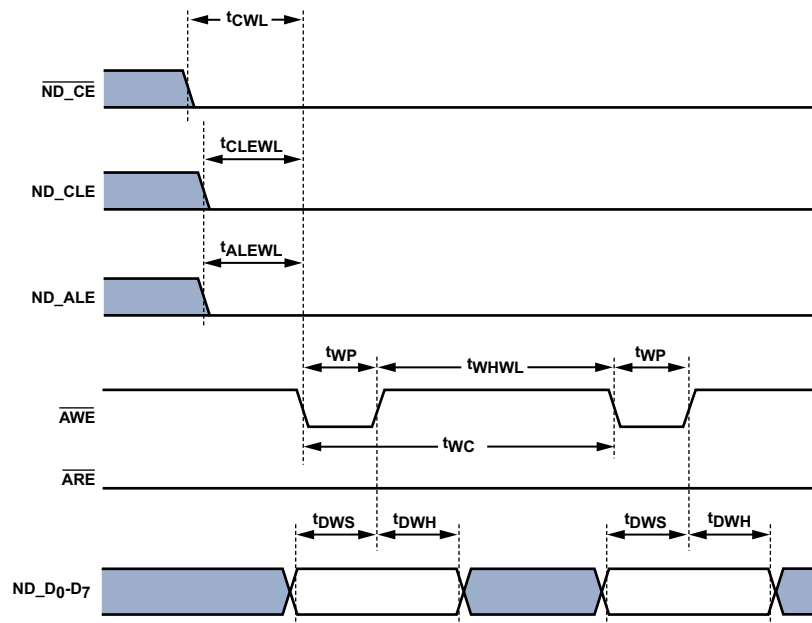


Figure 14. NAND Flash Controller Interface Timing - Data Write Operation

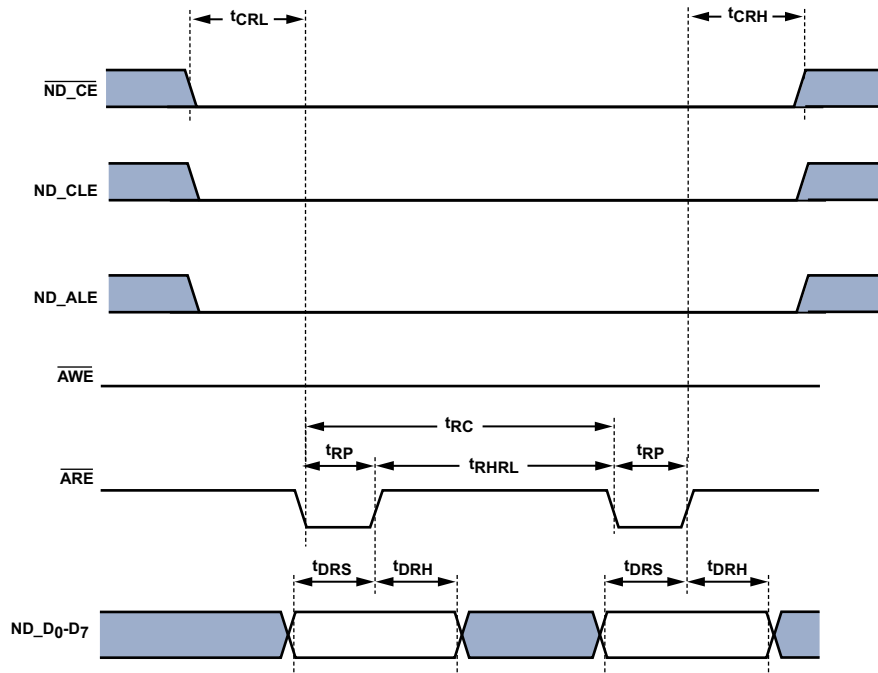


Figure 15. NAND Flash Controller Interface Timing - Data Read Operation

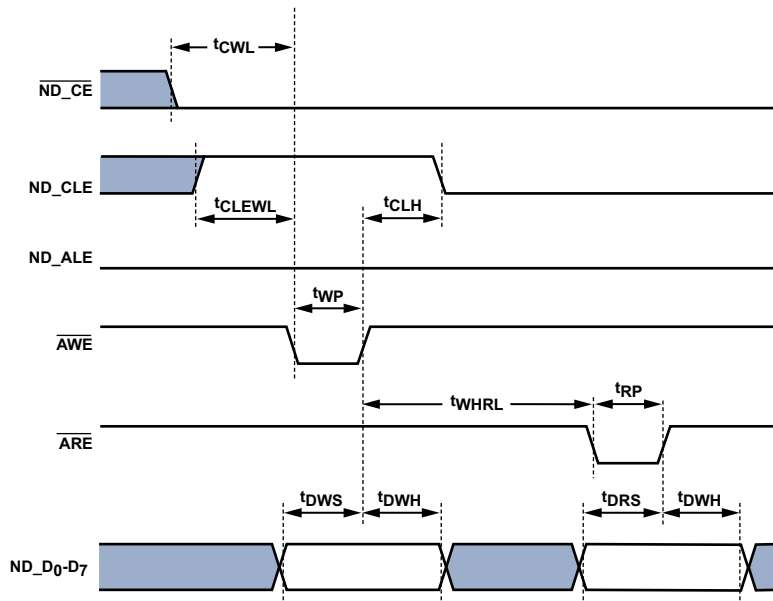


Figure 16. NAND Flash Controller Interface Timing - Write Followed by Read Operation

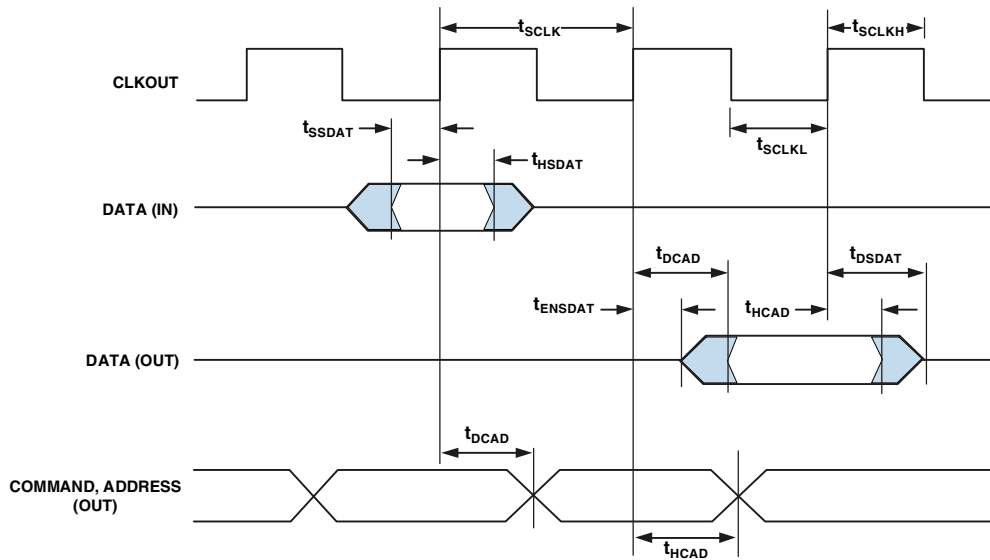
SDRAM Interface Timing

Table 34. SDRAM Interface Timing

Parameter	ADSP-BF522/524/526				ADSP-BF523/525/527				Unit	
	$V_{DDMEM} = 1.8\text{ V}$		$V_{DDMEM} = 2.5/3.3\text{ V}$		$V_{DDMEM} = 1.8\text{ V}$		$V_{DDMEM} = 2.5/3.3\text{ V}$			
	Min	Max	Min	Max	Min	Max	Min	Max		
<i>Timing Requirements</i>										
t_{SSDAT}	Data Setup Before CLKOUT									ns
t_{HSDAT}	Data Hold After CLKOUT									ns
<i>Switching Characteristics</i>										
t_{SCLK}	CLKOUT Period ¹									ns
t_{SCLKH}	CLKOUT Width High									ns
t_{SCLKL}	CLKOUT Width Low									ns
t_{DCAD}	Command, Address, Data Delay After CLKOUT ²									ns
t_{HCAD}	Command, Address, Data Hold After CLKOUT ²									ns
t_{DSDAT}	Data Disable After CLKOUT									ns
t_{ENSDAT}	Data Enable After CLKOUT									ns

¹The t_{SCLK} value is the inverse of the f_{SCLK} specification discussed in Table 14 and Table 17. Package type and reduced supply voltages affect the best-case values listed here.

²Command balls include: SRAS, SCAS, SWE, SDQM, SMS, SA10, SCKE.



NOTE: COMMAND = \overline{SRAS} , \overline{SCAS} , \overline{SWE} , \overline{SDQM} , \overline{SMS} , SA10, SCKE.

Figure 17. SDRAM Interface Timing

External DMA Request Timing

Table 35 and Figure 18 describe the External DMA Request operations.

Table 35. External DMA Request Timing

Parameter		$V_{DDEXT}/V_{DDMEM} = 1.8\text{ V}^1$		$V_{DDEXT}/V_{DDMEM} = 2.5/3.3\text{ V}$		Unit
		Min	Max	Min	Max	
<i>Timing Parameters</i>						
t_{DR}	DMARx Asserted to CLKOUT High Setup	8.0		6.0		ns
t_{DH}	CLKOUT High to DMARx Deasserted Hold Time	0.0		0.0		ns
$t_{DMARACT}$	DMARx Active Pulse Width	$1.0 \times t_{SCLK}$		$1.0 \times t_{SCLK}$		ns
$t_{DMARINACT}$	DMARx Inactive Pulse Width	$1.75 \times t_{SCLK}$		$1.75 \times t_{SCLK}$		ns

¹ Because the external DMA control pins are part of the V_{DDEXT} power domain and the CLKOUT signal is part of the V_{DDMEM} power domain, systems in which V_{DDEXT} and V_{DDMEM} are NOT equal may require level shifting logic for correct operation.

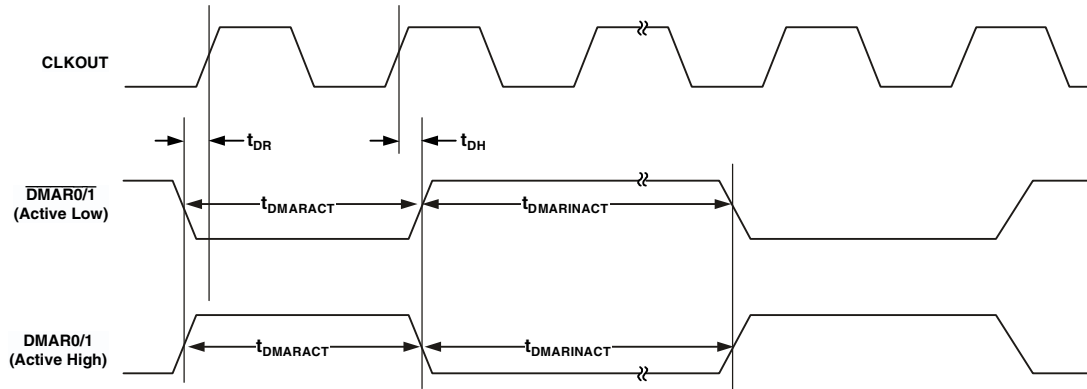


Figure 18. External DMA Request Timing

Parallel Peripheral Interface Timing

Table 36 and Figure 19 on Page 46, Figure 23 on Page 50, and Figure 25 on Page 51 describe parallel peripheral interface operations.

Table 36. Parallel Peripheral Interface Timing

Parameter	ADSP-BF522/524/526				ADSP-BF523/525/527				Unit	
	V _{DDEXT} = 1.8 V		V _{DDEXT} = 2.5/3.3 V		V _{DDEXT} = 1.8 V		V _{DDEXT} = 2.5/3.3 V			
	Min	Max	Min	Max	Min	Max	Min	Max		
<i>Timing Requirements</i>										
t _{PCLKW}	PPI_CLK Width ¹									ns
t _{PCLK}	PPI_CLK Period ¹									ns
<i>Timing Requirements - GP Input and Frame Capture Modes</i>										
t _{SFSPE}	External Frame Sync Setup Before PPI_CLK (Nonsampling Edge for Rx, Sampling Edge for Tx)									ns
t _{HFSPE}	External Frame Sync Hold After PPI_CLK									ns
t _{SDRPE}	Receive Data Setup Before PPI_CLK									ns
t _{HDRPE}	Receive Data Hold After PPI_CLK									ns
<i>Switching Characteristics - GP Output and Frame Capture Modes</i>										
t _{DFSPPE}	Internal Frame Sync Delay After PPI_CLK									ns
t _{HOFSPPE}	Internal Frame Sync Hold After PPI_CLK									ns
t _{DDTPE}	Transmit Data Delay After PPI_CLK									ns
t _{HDTPE}	Transmit Data Hold After PPI_CLK									ns

¹ PPI_CLK frequency cannot exceed f_{sclk}/2

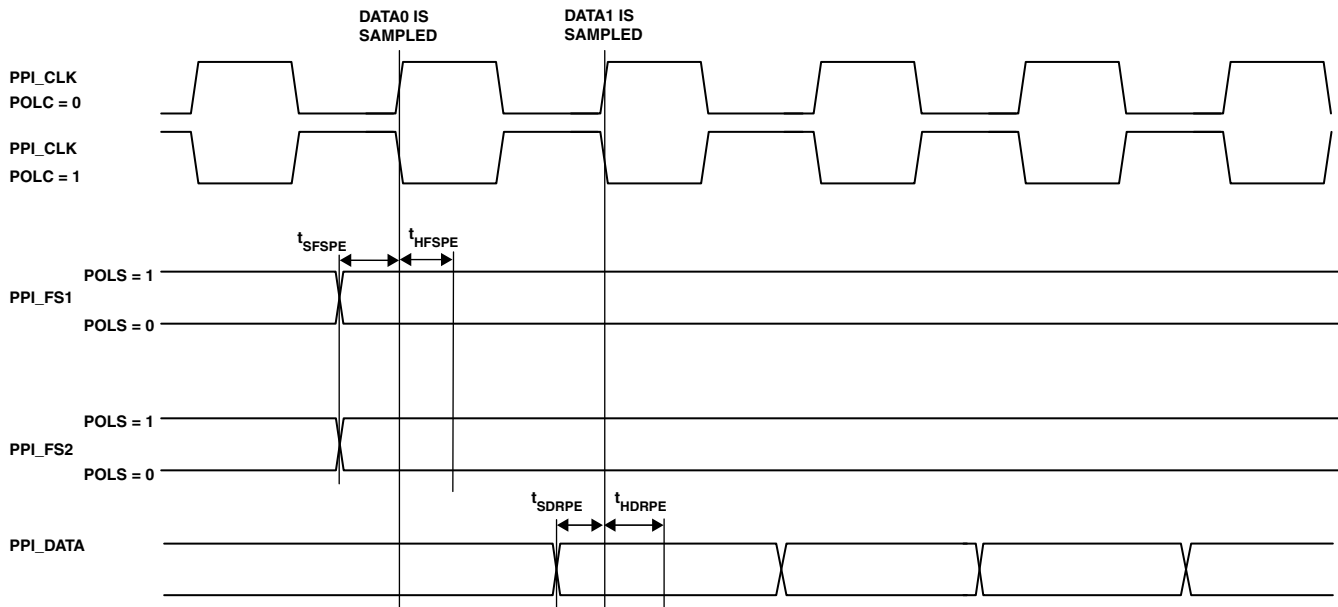


Figure 19. PPI GP Rx Mode with External Frame Sync Timing

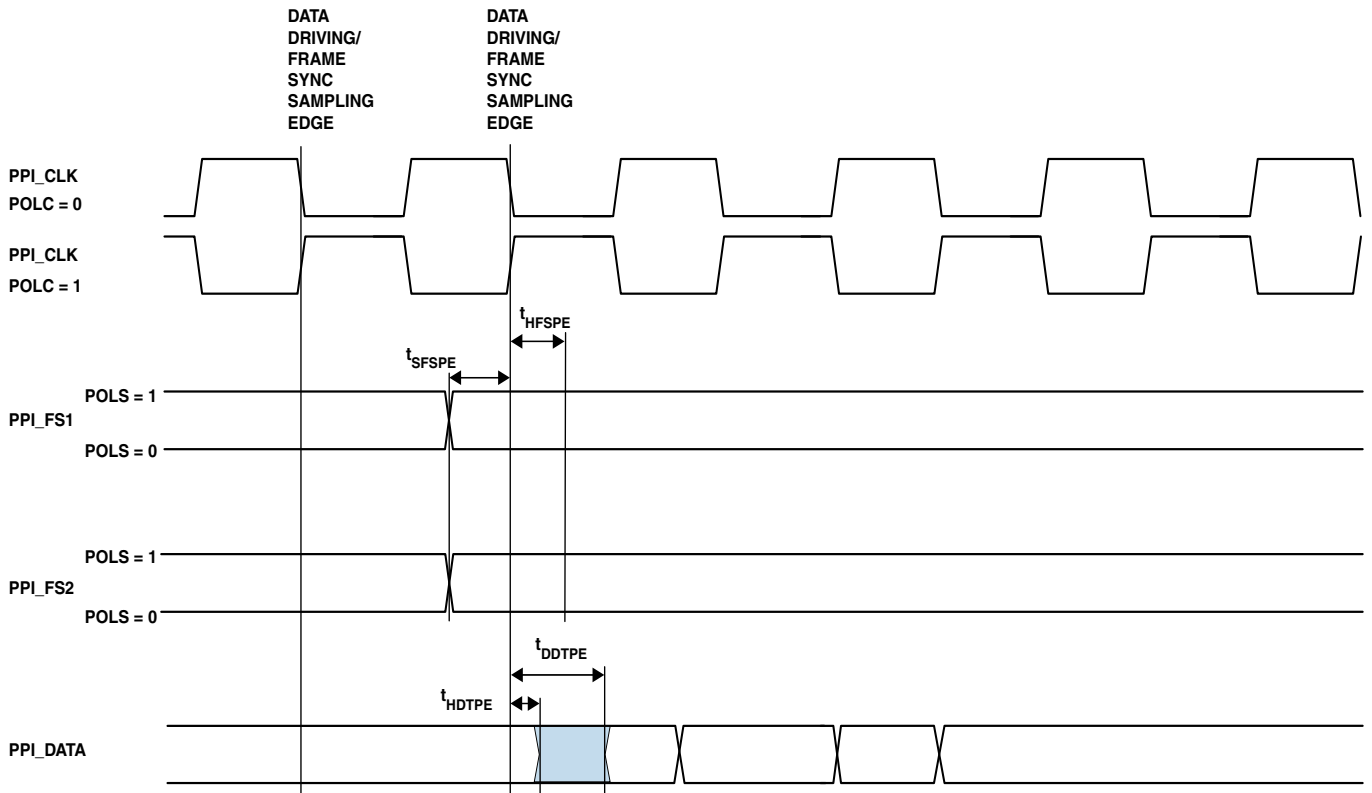


Figure 20. PPI GP Tx Mode with External Frame Sync Timing

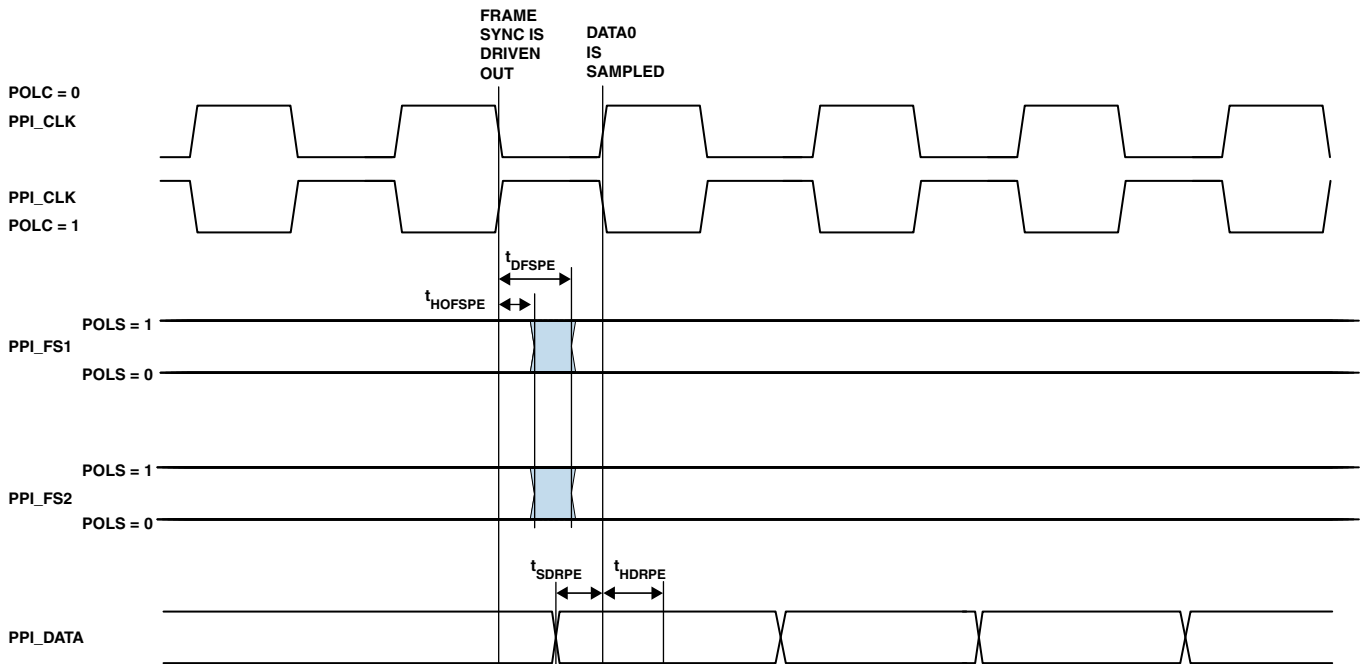


Figure 21. PPI GP Rx Mode with Internal Frame Sync Timing

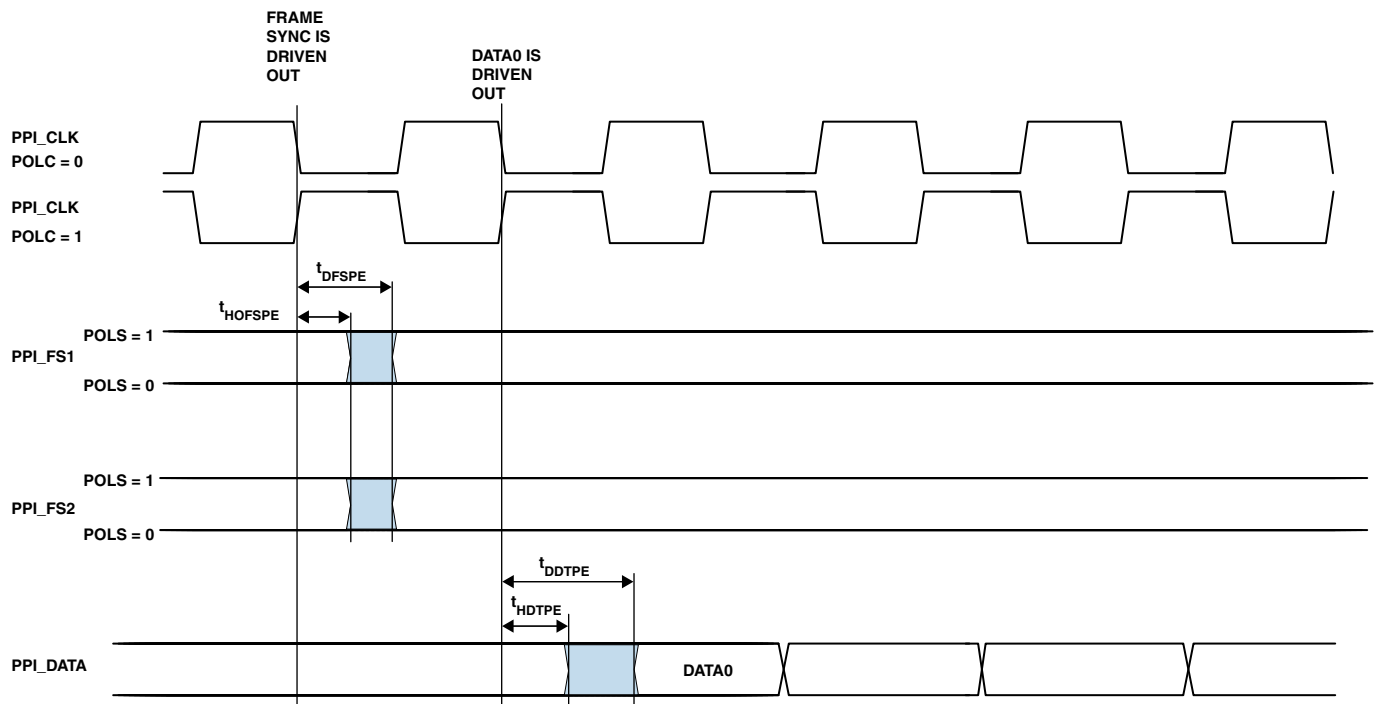


Figure 22. PPI GP Tx Mode with Internal Frame Sync Timing

Serial Ports

Table 37 through Table 40 on Page 51 and Figure 23 on Page 50 through Figure 25 on Page 51 describe serial port operations.

Table 37. Serial Ports—External Clock

Parameter	ADSP-BF522/524/526				ADSP-BF523/525/527				Unit	
	V _{DDEXT} = 1.8 V		V _{DDEXT} = 2.5/3.3 V		V _{DDEXT} = 1.8 V		V _{DDEXT} = 2.5/3.3 V			
	Min	Max	Min	Max	Min	Max	Min	Max		
<i>Timing Requirements</i>										
t _{SFSE}	TFSx/RFSx Setup Before TSCLKx/RSCLKx ¹				3.0		3.0		ns	
t _{HFSE}	TFSx/RFSx Hold After TSCLKx/RSCLKx ¹				3.0		3.0		ns	
t _{SDRE}	Receive Data Setup Before RSCLKx ¹				3.0		3.0		ns	
t _{HDRE}	Receive Data Hold After RSCLKx ¹				3.6		3.5		3.0	
t _{SCLKEW}	TSCLKx/RSCLKx Width				5.4		7.0		ns	
t _{SCLKE}	TSCLKx/RSCLKx Period				18.0		20.0		15.0	
<i>Switching Characteristics</i>										
t _{DFSE}	TFSx/RFSx Delay After TSCLKx/RSCLKx (Internally Generated TFSx/RFSx) ²				12.0		10.0		10.0	
t _{HOFSE}	TFSx/RFSx Hold After TSCLKx/RSCLKx (Internally Generated TFSx/RFSx) ¹				0.0		0.0		ns	
t _{DDTE}	Transmit Data Delay After TSCLKx ¹				12.0		10.0		10.0	
t _{HDTTE}	Transmit Data Hold After TSCLKx ¹				0.0		0.0		ns	

¹ Referenced to sample edge.

² Referenced to drive edge.

Table 38. Serial Ports—Internal Clock

Parameter	ADSP-BF522/524/526				ADSP-BF523/525/527				Unit	
	V _{DDEXT} = 1.8 V		V _{DDEXT} = 2.5/3.3 V		V _{DDEXT} = 1.8 V		V _{DDEXT} = 2.5/3.3 V			
	Min	Max	Min	Max	Min	Max	Min	Max		
<i>Timing Requirements</i>										
t _{SFSI}	TFSx/RFSx Setup Before TSCLKx/RSCLKx ¹				11.3		11.0		9.6	
t _{HFSI}	TFSx/RFSx Hold After TSCLKx/RSCLKx ¹				-1.5		-1.5		-1.5	
t _{SDRI}	Receive Data Setup Before RSCLKx ¹				11.3		11.0		9.6	
t _{HDRI}	Receive Data Hold After RSCLKx ¹				-1.5		-1.5		-1.5	
<i>Switching Characteristics</i>										
t _{SCLKIW}	TSCLKx/RSCLKx Width				5.4		4.5		4.5	
t _{SCLKI}	TSCLKx/RSCLKx Period				18.0		20.0		15.0	
t _{DFSI}	TFSx/RFSx Delay After TSCLKx/RSCLKx (Internally Generated TFSx/RFSx) ²				3.0		3.0		3.0	
t _{HOFSI}	TFSx/RFSx Hold After TSCLKx/RSCLKx (Internally Generated TFSx/RFSx) ¹				-4.0		-1.0		-1.0	
t _{DDTI}	Transmit Data Delay After TSCLKx ¹				3.0		3.0		3.0	
t _{HDTI}	Transmit Data Hold After TSCLKx ¹				-1.8		-1.8		-1.5	

¹ Referenced to sample edge.

² Referenced to drive edge.

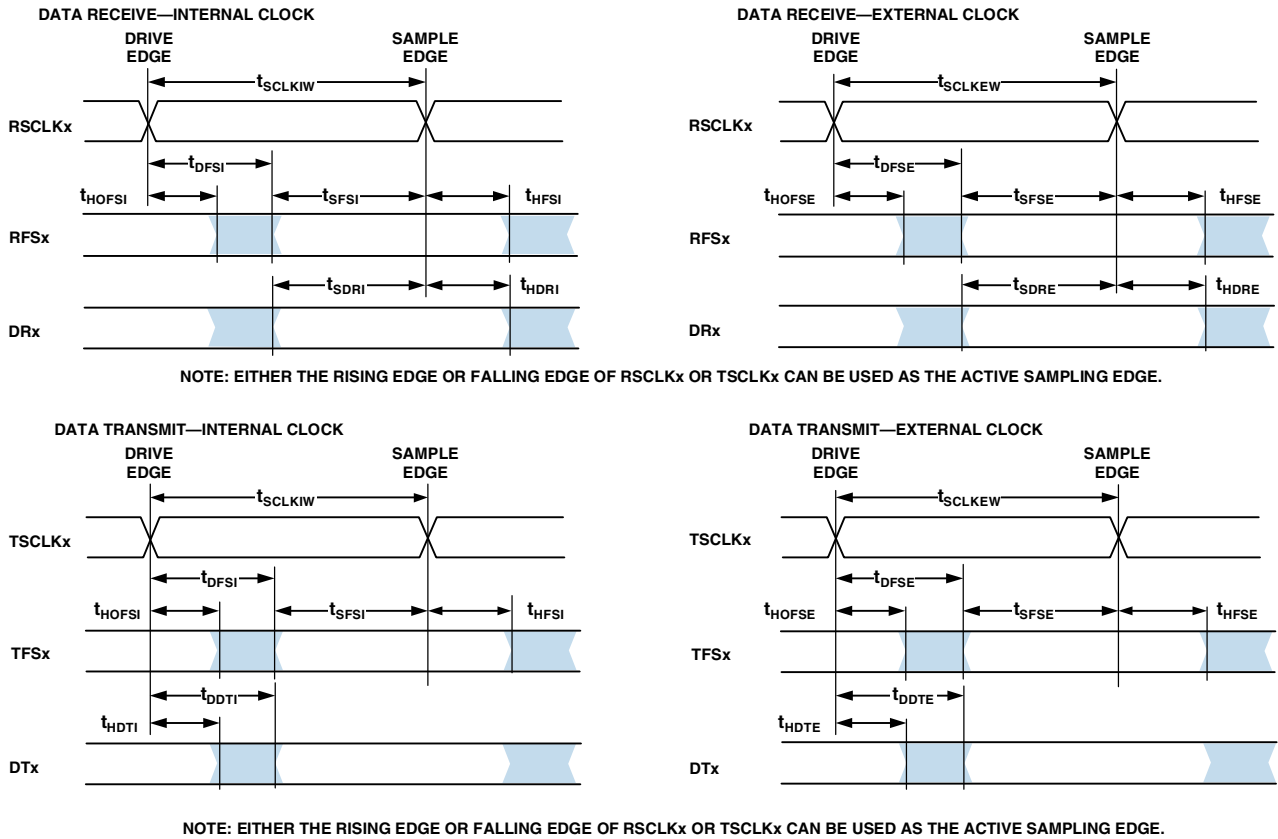


Figure 23. Serial Ports

Table 39. Serial Ports—Enable and Three-State

Parameter	ADSP-BF522/524/526		ADSP-BF523/525/527		Unit
	$V_{DDEXT} = 1.8\text{ V}$	$V_{DDEXT} = 2.5/3.3\text{ V}$	$V_{DDEXT} = 1.8\text{ V}$	$V_{DDEXT} = 2.5/3.3\text{ V}$	
<i>Switching Characteristics</i>					
t_{DTENE}	Data Enable Delay from External TSCLKx ¹				
t_{DDTTE}	Data Disable Delay from External TSCLKx ¹				
t_{DTENI}	Data Enable Delay from Internal TSCLKx ¹				
t_{DDTTI}	Data Disable Delay from Internal TSCLKx ¹				

¹ Referenced to drive edge.

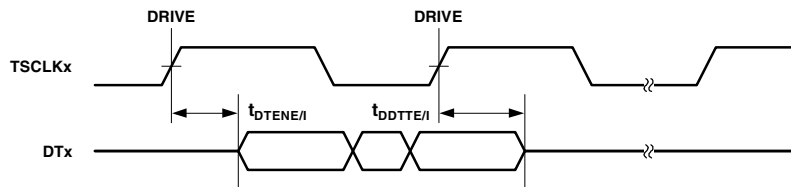


Figure 24. Serial Ports — Enable and Three-State

Table 40. Serial Ports — External Late Frame Sync

Parameter	ADSP-BF522/524/526				ADSP-BF523/525/527				Unit
	$V_{DDEXT} = 1.8\text{ V}$		$V_{DDEXT} = 2.5/3.3\text{ V}$		$V_{DDEXT} = 1.8\text{ V}$		$V_{DDEXT} = 2.5/3.3\text{ V}$		
	Min	Max	Min	Max	Min	Max	Min	Max	
<i>Switching Characteristics</i>									
$t_{DDTLFSE}$	Data Delay from Late External TFSx or External RFSx in multi-channel mode with $MFD = 0^{1,2}$				10.0	10.0	12.0	10.0	ns
$t_{DTENLFSE}$	Data Enable from External RFSx in multi-channel mode with $MFD = 0^{1,2}$				0.0	0.0	0.0	0.0	ns

¹ When in multi-channel mode, TFSx enable and TFSx valid follow $t_{DTENLFSE}$ and $t_{DDTLFSE}$.

² If external RFSx/TFSx setup to $RSCLKx/TSCLKx > t_{SCLK}/2$ then $t_{DDTTE/I}$ and $t_{DTENE/I}$ apply, otherwise $t_{DDTLFSE}$ and $t_{DTENLFSE}$ apply.

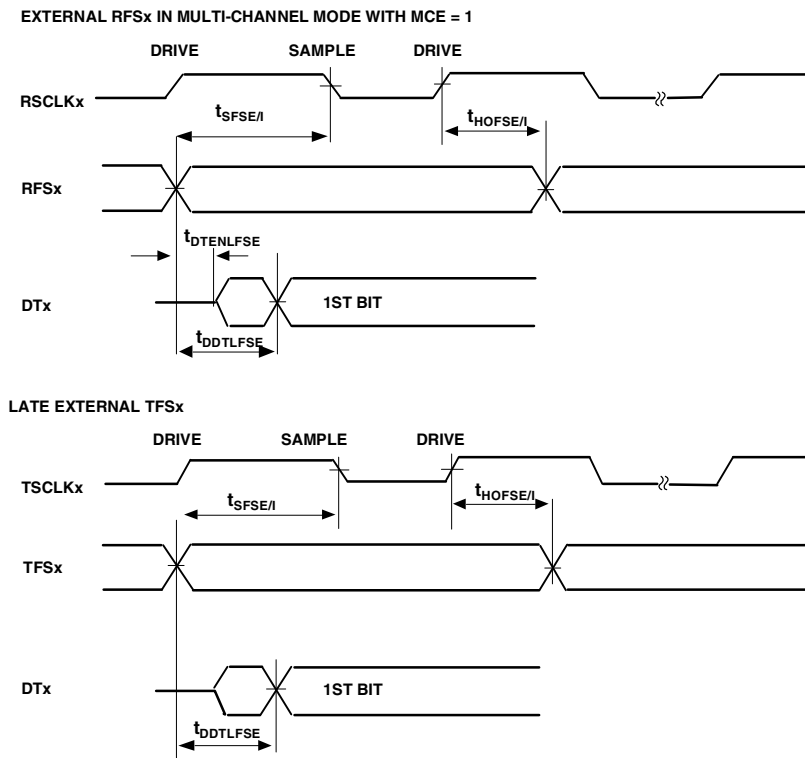


Figure 25. Serial Ports — External Late Frame Sync

Serial Peripheral Interface (SPI) Port—Master Timing

Table 41 and Figure 26 describe SPI port master operations.

Table 41. Serial Peripheral Interface (SPI) Port—Master Timing

Parameter	ADSP-BF522/524/526				ADSP-BF523/525/527				Unit		
	$V_{DDEXT} = 1.8\text{ V}$		$V_{DDEXT} = 2.5/3.3\text{ V}$		$V_{DDEXT} = 1.8\text{ V}$		$V_{DDEXT} = 2.5/3.3\text{ V}$				
	Min	Max	Min	Max	Min	Max	Min	Max			
<i>Timing Requirements</i>											
t_{SSPIDM}	Data Input Valid to SCK Edge (Data Input Setup)		11.6		11.6		11.6		9.6		ns
t_{HSPIDM}	SCK Sampling Edge to Data Input Invalid		-1.5		-1.5		-1.5		-1.5		ns
<i>Switching Characteristics</i>											
t_{SDSCIM}	SPISELx low to First SCK Edge		$2 \times t_{SCLK} - 1.5$		$2 \times t_{SCLK} - 1.5$		$2 \times t_{SCLK} - 1.5$		$2 \times t_{SCLK} - 1.5$		ns
t_{SPICHM}	Serial Clock High Period		$2 \times t_{SCLK} - 1.5$		$2 \times t_{SCLK} - 1.5$		$2 \times t_{SCLK} - 1.5$		$2 \times t_{SCLK} - 1.5$		ns
t_{SPICLM}	Serial Clock Low Period		$2 \times t_{SCLK} - 1.5$		$2 \times t_{SCLK} - 1.5$		$2 \times t_{SCLK} - 1.5$		$2 \times t_{SCLK} - 1.5$		ns
t_{SPICLK}	Serial Clock Period		$4 \times t_{SCLK} - 1.5$		$4 \times t_{SCLK} - 1.5$		$4 \times t_{SCLK} - 1.5$		$4 \times t_{SCLK} - 1.5$		ns
t_{HDSTM}	Last SCK Edge to SPISELx High		$2 \times t_{SCLK} - 1.5$		$2 \times t_{SCLK} - 1.5$		$2 \times t_{SCLK} - 1.5$		$2 \times t_{SCLK} - 1.5$		ns
t_{SPITDM}	Sequential Transfer Delay		$2 \times t_{SCLK} - 1.5$		$2 \times t_{SCLK} - 1.5$		$2 \times t_{SCLK} - 1.5$		$2 \times t_{SCLK} - 1.5$		ns
$t_{DDSPIDM}$	SCK Edge to Data Out Valid (Data Out Delay)		6		6		6		6		ns
$t_{HDSPIDM}$	SCK Edge to Data Out Invalid (Data Out Hold)		-1.0		-1.0		-1.0		-1.0		ns

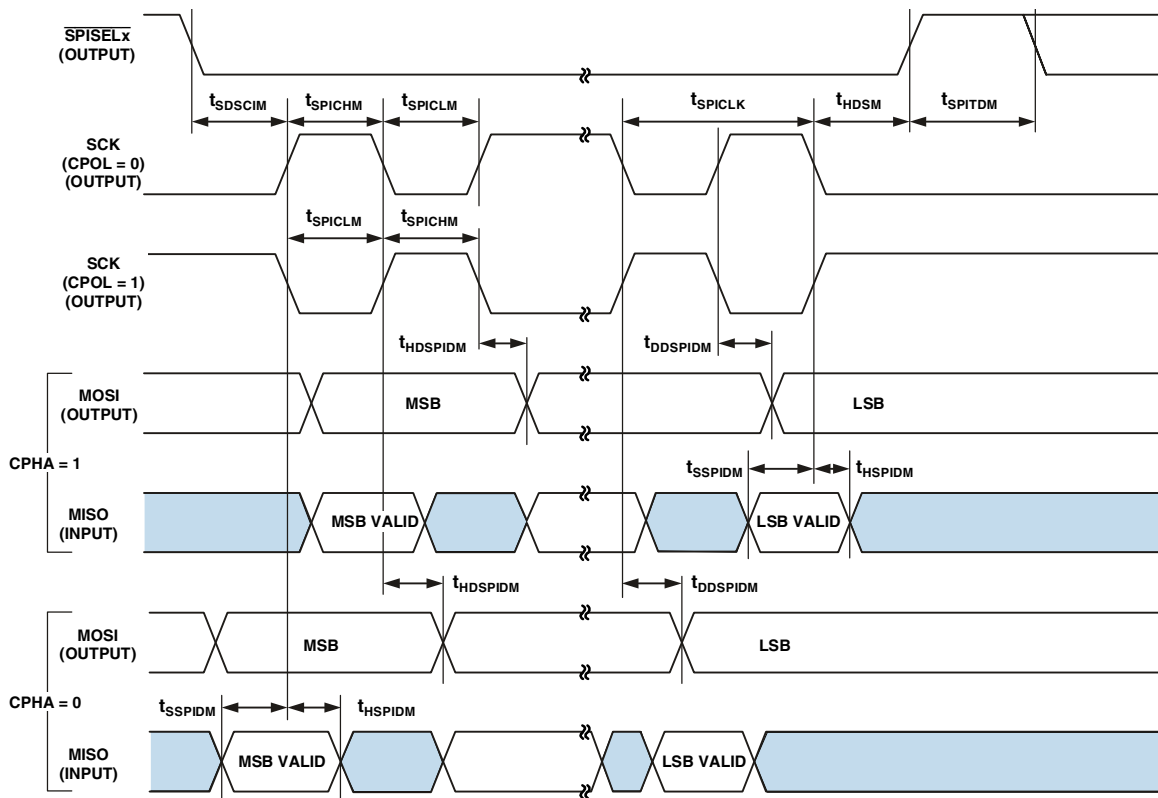


Figure 26. Serial Peripheral Interface (SPI) Port—Master Timing

Serial Peripheral Interface (SPI) Port—Slave Timing

Table 42 and Figure 27 describe SPI port slave operations.

Table 42. Serial Peripheral Interface (SPI) Port—Slave Timing

Parameter	ADSP-BF522/524/526				ADSP-BF523/525/527				Unit		
	$V_{DDEXT} = 1.8\text{ V}$		$V_{DDEXT} = 2.5/3.3\text{ V}$		$V_{DDEXT} = 1.8\text{ V}$		$V_{DDEXT} = 2.5/3.3\text{ V}$				
	Min	Max	Min	Max	Min	Max	Min	Max			
<i>Timing Requirements</i>											
t_{SPICHS}	Serial Clock High Period		$2 \times t_{SCLK} - 1.5$		$2 \times t_{SCLK} - 1.5$		$2 \times t_{SCLK} - 1.5$		$2 \times t_{SCLK} - 1.5$		ns
t_{SPICLS}	Serial Clock Low Period		$2 \times t_{SCLK} - 1.5$		$2 \times t_{SCLK} - 1.5$		$2 \times t_{SCLK} - 1.5$		$2 \times t_{SCLK} - 1.5$		ns
t_{SPICLK}	Serial Clock Period		$4 \times t_{SCLK} - 1.5$		$4 \times t_{SCLK} - 1.5$		$4 \times t_{SCLK} - 1.5$		$4 \times t_{SCLK} - 1.5$		ns
t_{HDS}	Last SCK Edge to \overline{SPISS} Not Asserted		$2 \times t_{SCLK} - 1.5$		$2 \times t_{SCLK} - 1.5$		$2 \times t_{SCLK} - 1.5$		$2 \times t_{SCLK} - 1.5$		ns
t_{SPITDS}	Sequential Transfer Delay		$2 \times t_{SCLK} - 1.5$		$2 \times t_{SCLK} - 1.5$		$2 \times t_{SCLK} - 1.5$		$2 \times t_{SCLK} - 1.5$		ns
t_{SDSCI}	\overline{SPISS} Assertion to First SCK Edge		$2 \times t_{SCLK} - 1.5$		$2 \times t_{SCLK} - 1.5$		$2 \times t_{SCLK} - 1.5$		$2 \times t_{SCLK} - 1.5$		ns
t_{SSPID}	Data Input Valid to SCK Edge (Data Input Setup)		1.6		1.6		1.6		1.6		ns
t_{HSPID}	SCK Sampling Edge to Data Input Invalid		1.6		1.6		1.6		1.6		ns
<i>Switching Characteristics</i>											
t_{DSOE}	\overline{SPISS} Assertion to Data Out Active		0		12.0		0		12.0		ns
t_{DSDHI}	\overline{SPISS} Deassertion to Data High Impedance		0		8.5		0		8.5		ns
t_{DDSPID}	SCK Edge to Data Out Valid (Data Out Delay)		0		10		0		10		ns
t_{HDSPID}	SCK Edge to Data Out Invalid (Data Out Hold)		0		0		0		0		ns

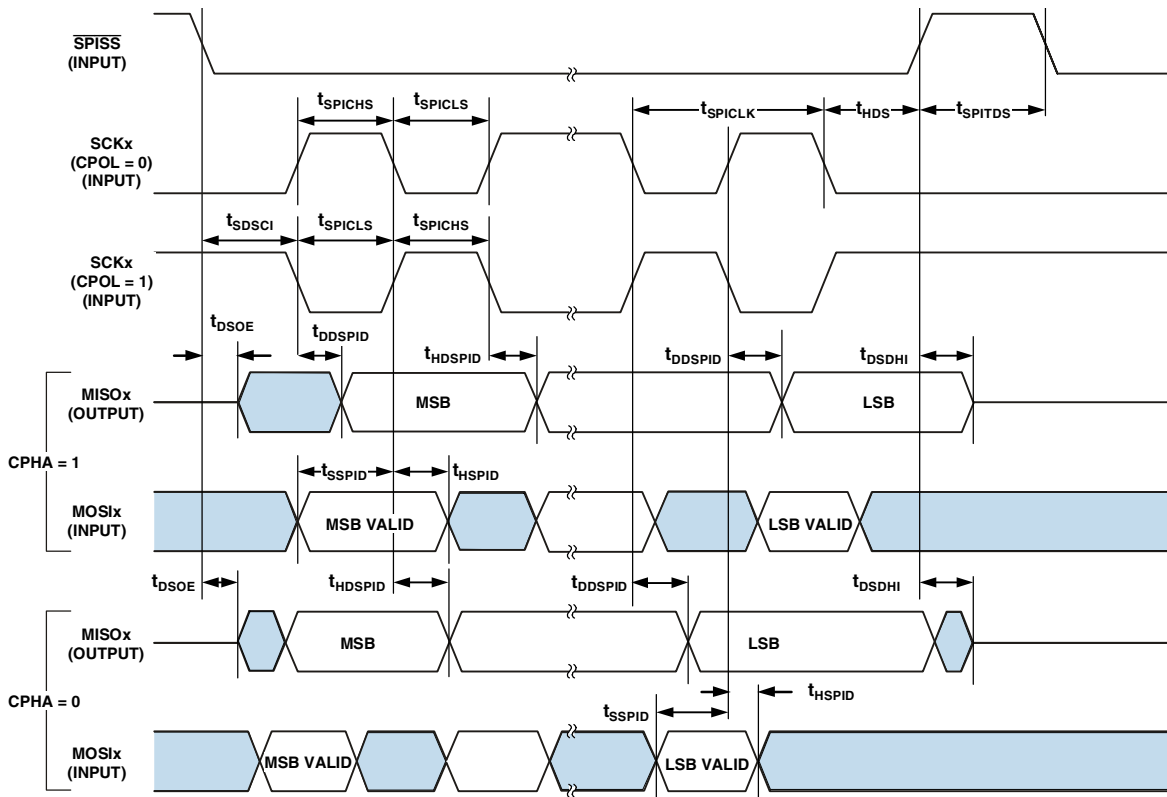


Figure 27. Serial Peripheral Interface (SPI) Port—Slave Timing

Universal Serial Bus (USB) On-The-Go—Receive and Transmit Timing

Table 43 describes the USB On-The-Go receive and transmit operations.

Table 43. USB On-The-Go—Receive and Transmit Timing

Parameter		ADSP-BF522/524/526				ADSP-BF523/525/527				Unit
		$V_{DDEXT} = 1.8\text{ V}$		$V_{DDEXT} = 2.5/3.3\text{ V}$		$V_{DDEXT} = 1.8\text{ V}$		$V_{DDEXT} = 2.5/3.3\text{ V}$		
		Min	Max	Min	Max	Min	Max	Min	Max	
<i>Timing Requirements</i>										
f_{USB}	USB_XI Frequency	9	33.3	9	33.3	9	33.3	9	33.3	MHz
FS_{USB}	USB_XI Clock Frequency Stability	-50	50	-50	50	-50	50	-50	50	ppm

Universal Asynchronous Receiver-Transmitter (UART) Ports—Receive and Transmit Timing

Figure 28 describes the UART ports receive and transmit operations. The maximum baud rate is SCLK/16. There is some latency between the generation of internal UART interrupts

and the external data operations. These latencies are negligible at the data transmission rates for the UART.

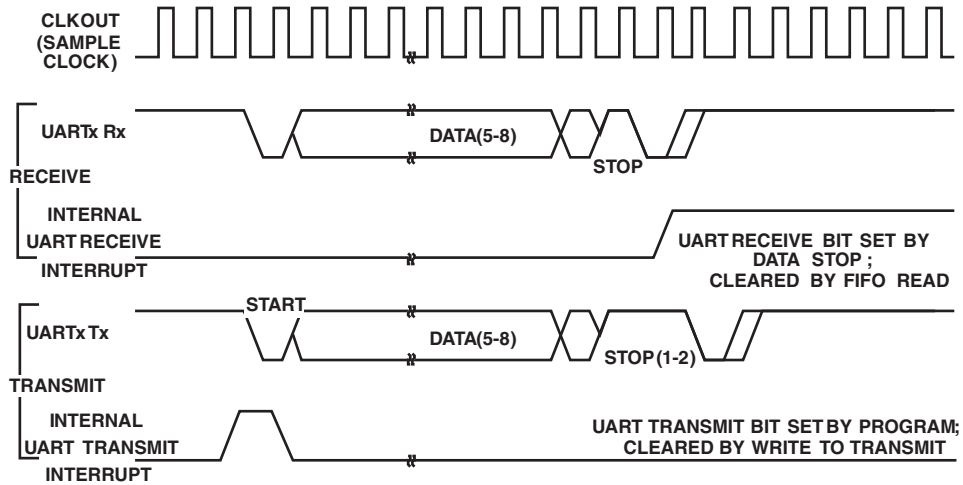


Figure 28. UART Ports—Receive and Transmit Timing

General-Purpose Port Timing

Table 44 and Figure 29 describe general-purpose port operations.

Table 44. General-Purpose Port Timing

Parameter		ADSP-BF522/524/526				ADSP-BF523/525/527				Unit
		V _{DDEXT} = 1.8 V		V _{DDEXT} = 2.5/3.3 V		V _{DDEXT} = 1.8 V		V _{DDEXT} = 2.5/3.3 V		
		Min	Max	Min	Max	Min	Max	Min	Max	
<i>Timing Requirement</i>										
t _{WFI}	General-Purpose Port Ball Input Pulse Width	t _{SCLK} + 1		t _{SCLK} + 1		t _{SCLK} + 1		t _{SCLK} + 1		ns
<i>Switching Characteristics</i>										
t _{GPOD}	General-Purpose Port Ball Output Delay from CLKOUT Low	0	9.66	0	9.66	0	8.2	0	6.5	ns

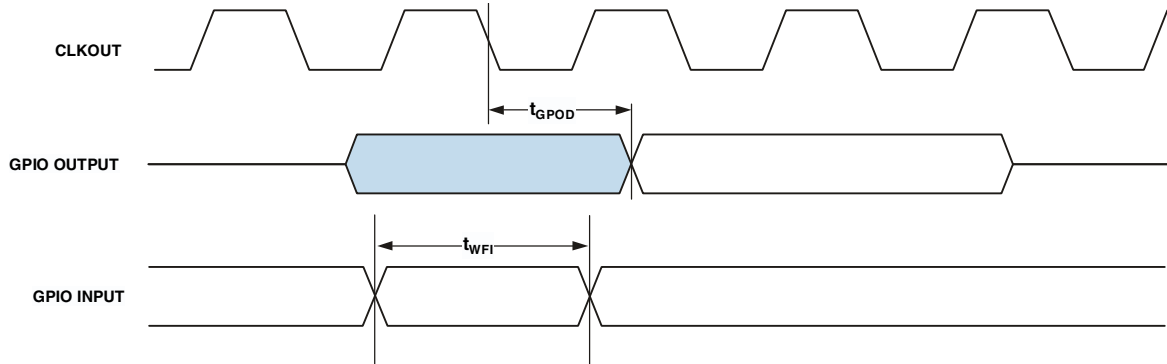


Figure 29. General-Purpose Port Timing

Timer Cycle Timing

Table 45 and Figure 30 describe timer expired operations. The input signal is asynchronous in “width capture mode” and “external clock mode” and has an absolute maximum input frequency of ($f_{SCLK}/2$) MHz.

Table 45. Timer Cycle Timing

Parameter	ADSP-BF522/524/526				ADSP-BF523/525/527				Unit
	$V_{DDEXT} = 1.8\text{ V}$		$V_{DDEXT} = 2.5/3.3\text{ V}$		$V_{DDEXT} = 1.8\text{ V}$		$V_{DDEXT} = 2.5/3.3\text{ V}$		
	Min	Max	Min	Max	Min	Max	Min	Max	
<i>Timing Characteristics</i>									
t_{WL}	Timer Pulse Width Input Low (Measured In SCLK Cycles) ¹		t_{SCLK}	t_{SCLK}	t_{SCLK}	t_{SCLK}	t_{SCLK}	t_{SCLK}	ns
t_{WH}	Timer Pulse Width Input High (Measured In SCLK Cycles) ¹		t_{SCLK}	t_{SCLK}	t_{SCLK}	t_{SCLK}	t_{SCLK}	t_{SCLK}	ns
t_{TIS}	Timer Input Setup Time Before CLKOUT Low ²		5	5	8.1	6.2			ns
t_{TIH}	Timer Input Hold Time After CLKOUT Low ²		-2	-2	-2	-2			ns
<i>Switching Characteristics</i>									
t_{HTO}	Timer Pulse Width Output (Measured In SCLK Cycles)		t_{SCLK}	$(2^{32}-1)t_{SCLK}$	t_{SCLK}	$(2^{32}-1)t_{SCLK}$	$t_{SCLK}-1$	$(2^{32}-1)t_{SCLK}$	ns
t_{TOD}	Timer Output Update Delay After CLKOUT High			8.1		8.1	6	6	ns

¹ The minimum pulse widths apply for TMRx signals in width capture and external clock modes. They also apply to the PF15 or PPI_CLK signals in PWM output mode.

² Either a valid setup and hold time or a valid pulse width is sufficient. There is no need to resynchronize programmable flag inputs.

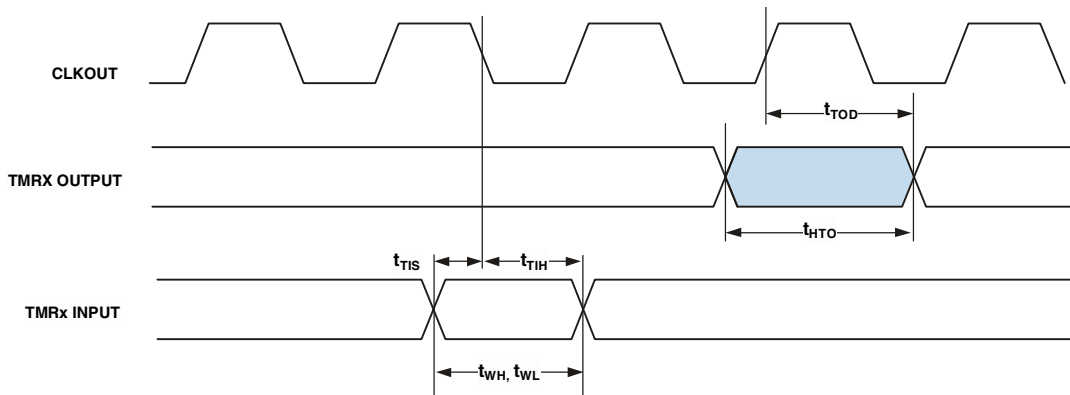


Figure 30. Timer Cycle Timing

Timer Clock Timing

Table 46 and Figure 31 describe timer clock timing.

Table 46. Timer Clock Timing

Parameter	$V_{DDEXT} = 1.8\text{ V}$		$V_{DDEXT} = 2.5/3.3\text{ V}$		Unit
	Min	Max	Min	Max	
<i>Switching Characteristic</i>					
t_{TODP}	Timer Output Update Delay After PPI_CLK High		12.0	12.0	ns

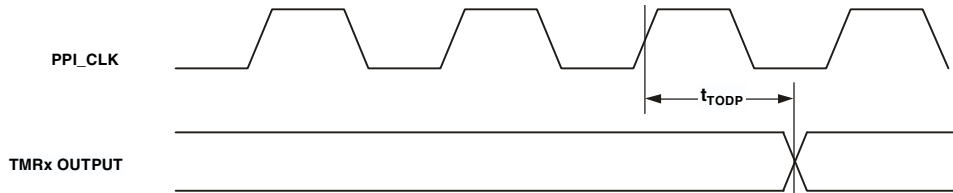


Figure 31. Timer Clock Timing

Up/Down Counter/Rotary Encoder Timing

Table 47. Up/Down Counter/Rotary Encoder Timing

Parameter	$V_{DDEXT} = 1.8\text{ V}$		$V_{DDEXT} = 2.5/3.3\text{ V}$		Unit
	Min	Max	Min	Max	
<i>Timing Requirements</i>					
t_{WCOUNT}	Up/Down Counter/Rotary Encoder Input Pulse Width		$t_{SCLK} + 1$	$t_{SCLK} + 1$	ns
t_{CIS}	Counter Input Setup Time Before CLKOUT Low ¹		4.0	4.0	ns
t_{CIH}	Counter Input Hold Time After CLKOUT Low ¹		4.0	4.0	ns

¹ Either a valid setup and hold time or a valid pulse width is sufficient. There is no need to resynchronize counter inputs.

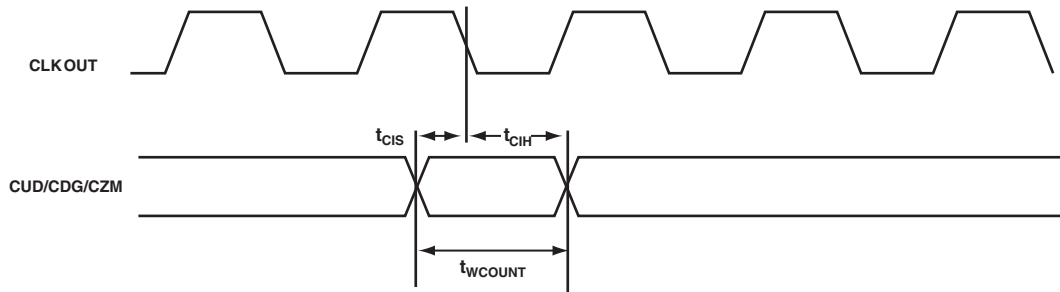


Figure 32. Up/Down Counter/Rotary Encoder Timing

HOSTDP A/C Timing- Host Read Cycle

Table 48 describe the HOSTDP A/C Host Read Cycle timing requirements.

Table 48. Host Read Cycle Timing Requirements

Parameter	ADSP-BF522/524/526,				ADSP-BF523/525/527				Unit
	V _{DDEXT} = 1.8 V		V _{DDEXT} = 2.5/3.3 V		V _{DDEXT} = 1.8 V		V _{DDEXT} = 2.5/3.3 V		
	Min	Max	Min	Max	Min	Max	Min	Max	
Timing Requirements									
t _{SADRDL}	HOST_ADDR and $\overline{\text{HOST_CE}}$ Setup before $\overline{\text{HOST_RD}}$ falling edge		4		4		4		ns
t _{HADRHD}	HOST_ADDR and $\overline{\text{HOST_CE}}$ Hold after $\overline{\text{HOST_RD}}$ rising edge		2.5		2.5		2.5		ns
t _{RDWL}	HOST_RD pulse width low (ACK mode)		t _{DRDYRDL} + t _{RDYPRD} + t _{DRDHRDY}		t _{DRDYRDL} + t _{RDYPRD} + t _{DRDHRDY}		t _{DRDYRDL} + t _{RDYPRD} + t _{DRDHRDY}		ns
t _{RDWL}	HOST_RD pulse width low (INT mode)		1.5 × t _{SCLK} + 8.7		1.5 × t _{SCLK} + 8.7		1.5 × t _{SCLK} + 8.7		ns
t _{RDWH}	HOST_RD pulse width high or time between $\overline{\text{HOST_RD}}$ rising edge and $\overline{\text{HOST_WR}}$ falling edge		2 × t _{SCLK}		2 × t _{SCLK}		2 × t _{SCLK}		ns
t _{DRDHRDY}	HOST_RD rising edge delay after $\overline{\text{HOST_ACK}}$ rising edge (ACK mode)		0		0		0		ns
Switching Characteristics									
t _{SDATRDY}	Data valid prior $\overline{\text{HOST_ACK}}$ rising edge (ACK mode)		4.5		3.5		4.5		ns
t _{DRDYRDL}	Host_ACK assertion delay after $\overline{\text{HOST_RD}}/\overline{\text{HOST_CE}}$ (ACK mode)			1.5 × t _{SCLK}		1.5 × t _{SCLK}		1.5 × t _{SCLK}	ns
t _{RDYPRD}	HOST_ACK low pulse-width for Read access (ACK mode)			NM ¹		NM ¹		NM ¹	ns
t _{DDARWH}	Data disable after $\overline{\text{HOST_RD}}$			9.0		9.0		9.0	ns
t _{ACC}	Data valid after $\overline{\text{HOST_RD}}$ falling edge (INT mode)			1.5 × t _{SCLK}		1.5 × t _{SCLK}		1.5 × t _{SCLK}	ns
t _{HDARWH}	Data hold after $\overline{\text{HOST_RD}}$ rising edge		1.0		1.0		1.0		ns

¹ NM (Not Measured) — This parameter is not measured, because the time for which $\overline{\text{HOST_ACK}}$ is low is system design dependent.

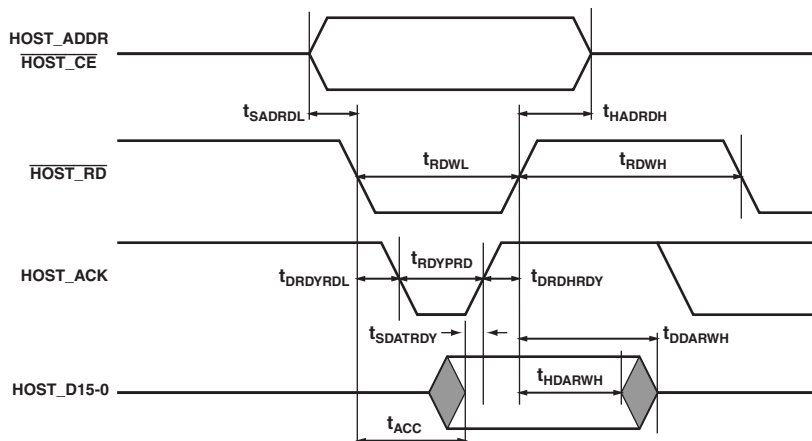


Figure 33. HOSTDP A/C- Host Read Cycle

HOSTDP A/C Timing- Host Write Cycle

Table 49 describes the HOSTDP A/C Host Write Cycle timing requirements.

Table 49. Host Write Cycle Timing Requirements

Parameter	ADSP-BF522/524/526				ADSP-BF523/525/527				Unit
	V _{DDEXT} = 1.8 V		V _{DDEXT} = 2.5/3.3 V		V _{DDEXT} = 1.8 V		V _{DDEXT} = 2.5/3.3 V		
	Min	Max	Min	Max	Min	Max	Min	Max	
Timing Requirements									
t _{SADWRL} HOST_ADDR/HOST_CE Setup before HOST_WR falling edge	4		4		4		4		ns
t _{HADWRH} HOST_ADDR/HOST_CE Hold after HOST_WR rising edge	2.5		2.5		2.5		2.5		ns
t _{WRWL} HOST_WR pulse width low (ACK mode)	t _{DRDYWRL} + t _{RDYPRD} + t _{DWRHRDY}		t _{DRDYWRL} + t _{RDYPRD} + t _{DWRHRDY}		t _{DRDYWRL} + t _{RDYPRD} + t _{DWRHRDY}		t _{DRDYWRL} + t _{RDYPRD} + t _{DWRHRDY}		ns
HOST_WR pulse width low (INT mode)	1.5 × t _{SCLK} + 8.7		1.5 × t _{SCLK} + 8.7		1.5 × t _{SCLK} + 8.7		1.5 × t _{SCLK} + 8.7		ns
t _{WRWH} HOST_WR pulse width high or time between HOST_WR rising edge and HOST_RD falling edge	2 × t _{SCLK}		2 × t _{SCLK}		2 × t _{SCLK}		2 × t _{SCLK}		ns
t _{DWRHRDY} HOST_WR rising edge delay after HOST_ACK rising edge (ACK mode)	0		0		0		0		ns
t _{HDATWH} Data Hold after HOST_WR rising edge	2.5		2.5		2.5		2.5		ns
t _{SDATWH} Data Setup before HOST_WR rising edge	2.5		2.5		2.5		2.5		ns
Switching Characteristics									
t _{DRDYWRL} HOST_ACK low delay after HOST_WR/HOST_CE asserted (ACK mode)		1.5 × t _{SCLK}		1.5 × t _{SCLK}		1.5 × t _{SCLK}		1.5 × t _{SCLK}	ns
t _{RDYPWR} HOST_ACK low pulse-width for Write access (ACK mode)		NM ¹		NM ¹		NM ¹		NM ¹	ns

¹NM (Not Measured) — This parameter is not measured, because the time for which HOST_ACK is low is system design dependent.

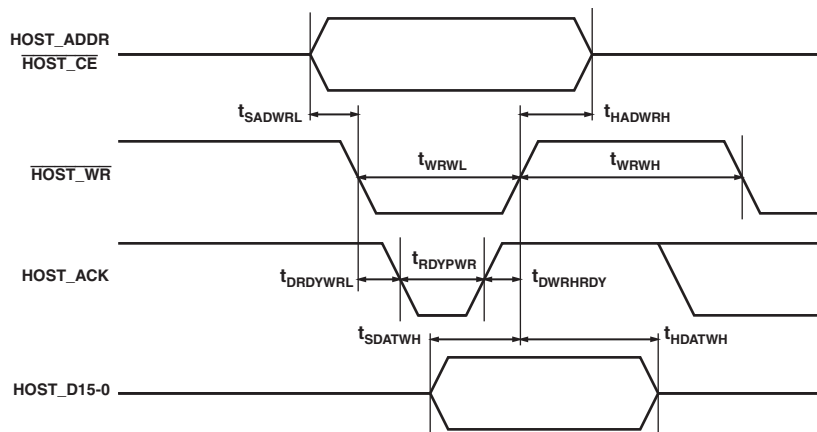


Figure 34. HOSTDP A/C- Host Write Cycle

10/100 Ethernet MAC Controller Timing

Table 50 through Table 55 and Figure 35 through Figure 40 describe the 10/100 Ethernet MAC Controller operations.

Table 50. 10/100 Ethernet MAC Controller Timing: MII Receive Signal

Parameter ¹		V _{DDEXT} = 1.8 V		V _{DDEXT} = 2.5/3.3 V		Unit
		Min	Max	Min	Max	
t _{ERXCLKF}	ERxCLK Frequency (f _{SCLK} = SCLK Frequency)	None	25 + 1% f _{SCLK} + 1%	None	25 + 1% f _{SCLK} + 1%	MHz
t _{ERXCLKW}	ERxCLK Width (t _{ERXCLK} = ERxCLK Period)	t _{ERXCLK} × 40%	t _{ERXCLK} × 60%	t _{ERXCLK} × 35%	t _{ERXCLK} × 65%	ns
t _{ERXCLKIS}	Rx Input Valid to ERxCLK Rising Edge (Data In Setup)	7.5		7.5		ns
t _{ERXCLKIH}	ERxCLK Rising Edge to Rx Input Invalid (Data In Hold)	7.5		7.5		ns

¹ MII inputs synchronous to ERxCLK are ERxD3–0, ERxDV, and ERxER.

Table 51. 10/100 Ethernet MAC Controller Timing: MII Transmit Signal

Parameter ¹		V _{DDEXT} = 1.8 V		V _{DDEXT} = 2.5/3.3 V		Unit
		Min	Max	Min	Max	
t _{ETXCLKF}	ETxCLK Frequency (f _{SCLK} = SCLK Frequency)	None	25 + 1% f _{SCLK} + 1%	None	25 + 1% f _{SCLK} + 1%	MHz
t _{ETXCLKW}	ETxCLK Width (t _{ETXCLK} = ETxCLK Period)	t _{ETXCLK} × 40%	t _{ETXCLK} × 60%	t _{ETXCLK} × 35%	t _{ETXCLK} × 65%	ns
t _{ETXCLKOV}	ETxCLK Rising Edge to Tx Output Valid (Data Out Valid)		20		20	ns
t _{ETXCLKOH}	ETxCLK Rising Edge to Tx Output Invalid (Data Out Hold)	0		0		ns

¹ MII outputs synchronous to ETxCLK are ETxD3–0.

Table 52. 10/100 Ethernet MAC Controller Timing: RMII Receive Signal

Parameter ¹		V _{DDEXT} = 1.8 V		V _{DDEXT} = 2.5/3.3 V		Unit
		Min	Max	Min	Max	
t _{REFCLKF}	REF_CLK Frequency (f _{SCLK} = SCLK Frequency)	None	50 + 1% 2 × f _{SCLK} + 1%	None	50 + 1% 2 × f _{SCLK} + 1%	MHz
t _{REFCLKW}	REF_CLK Width (t _{REFCLK} = REFCLK Period)	t _{REFCLK} × 40%	t _{REFCLK} × 60%	t _{REFCLK} × 35%	t _{REFCLK} × 65%	ns
t _{REFCLKIS}	Rx Input Valid to RMII REF_CLK Rising Edge (Data In Setup)	4		4		ns
t _{REFCLKIH}	RMII REF_CLK Rising Edge to Rx Input Invalid (Data In Hold)	2		2		ns

¹ RMII inputs synchronous to RMII REF_CLK are ERxD1–0, RMII CRS_DV, and ERxER.

Table 53. 10/100 Ethernet MAC Controller Timing: RMII Transmit Signal

Parameter ¹		ADSP-BF522/524/526				ADSP-BF523/525/527				Unit
		V _{DDEXT} = 1.8 V		V _{DDEXT} = 2.5/3.3 V		V _{DDEXT} = 1.8 V		V _{DDEXT} = 2.5/3.3 V		
		Min	Max	Min	Max	Min	Max	Min	Max	
t _{REFCLKOV}	RMII REF_CLK Rising Edge to Tx Output Valid (Data Out Valid)		8.1		8.1		7.5		7.5	ns
t _{REFCLKOH}	RMII REF_CLK Rising Edge to Tx Output Invalid (Data Out Hold)	2		2		2		2		ns

¹ RMII outputs synchronous to RMII REF_CLK are ETxD1–0.

Table 54. 10/100 Ethernet MAC Controller Timing: MII/RMII Asynchronous Signal

Parameter ^{1,2}		V _{DDEXT} = 1.8 V		V _{DDEXT} = 2.5/3.3 V		Unit
		Min	Max	Min	Max	
t _{ECOLH}	COL Pulse Width High	t _{ETxCLK} × 1.5	t _{ERxCLK} × 1.5	t _{ETxCLK} × 1.5	t _{ERxCLK} × 1.5	ns
t _{ECOLL}	COL Pulse Width Low	t _{ETxCLK} × 1.5	t _{ERxCLK} × 1.5	t _{ETxCLK} × 1.5	t _{ERxCLK} × 1.5	ns
t _{ECSRSH}	CRS Pulse Width High	t _{ETxCLK} × 1.5	t _{ERxCLK} × 1.5	t _{ETxCLK} × 1.5	t _{ERxCLK} × 1.5	ns
t _{ECSRSL}	CRS Pulse Width Low	t _{ETxCLK} × 1.5	t _{ERxCLK} × 1.5	t _{ETxCLK} × 1.5	t _{ERxCLK} × 1.5	ns

¹ MII/RMII asynchronous signals are COL and CRS. These signals are applicable in both MII and RMII modes. The asynchronous COL input is synchronized separately to both the ETxCLK and the ERxCLK, and the COL input must have a minimum pulse width high or low at least 1.5 times the period of the slower of the two clocks.

² The asynchronous CRS input is synchronized to the ETxCLK, and the CRS input must have a minimum pulse width high or low at least 1.5 times the period of ETxCLK.

Table 55. 10/100 Ethernet MAC Controller Timing: MII Station Management

Parameter ¹		ADSP-BF522/524/526				ADSP-BF523/525/527				Unit
		V _{DDEXT} = 1.8 V		V _{DDEXT} = 2.5/3.3 V		V _{DDEXT} = 1.8 V		V _{DDEXT} = 2.5/3.3 V		
		Min	Max	Min	Max	Min	Max	Min	Max	
t _{MDIOS}	MDIO Input Valid to MDC Rising Edge (Setup)	11.5	11.5	10	10	10	10	10	ns	
t _{MDCIH}	MDC Rising Edge to MDIO Input Invalid (Hold)	11.5	11.5	10	10	10	10	10	ns	
t _{MDCOV}	MDC Falling Edge to MDIO Output Valid	25	25	25	25	25	25	25	ns	
t _{MDCOH}	MDC Falling Edge to MDIO Output Invalid (Hold)	-1	-1	-1	-1	-1	-1	-1	ns	

¹ MDC/MDIO is a 2-wire serial bidirectional port for controlling one or more external PHYs. MDC is an output clock whose minimum period is programmable as a multiple of the system clock SCLK. MDIO is a bidirectional data line.

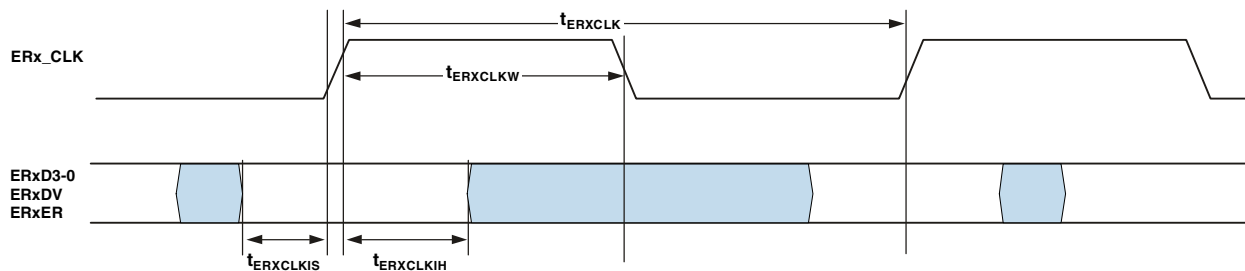


Figure 35. 10/100 Ethernet MAC Controller Timing: MII Receive Signal

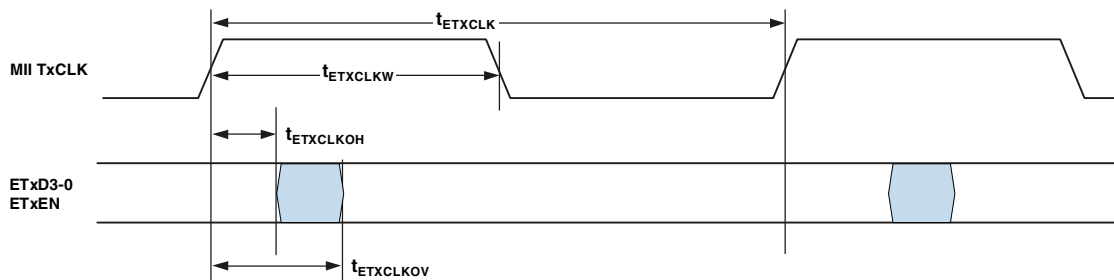


Figure 36. 10/100 Ethernet MAC Controller Timing: MII Transmit Signal

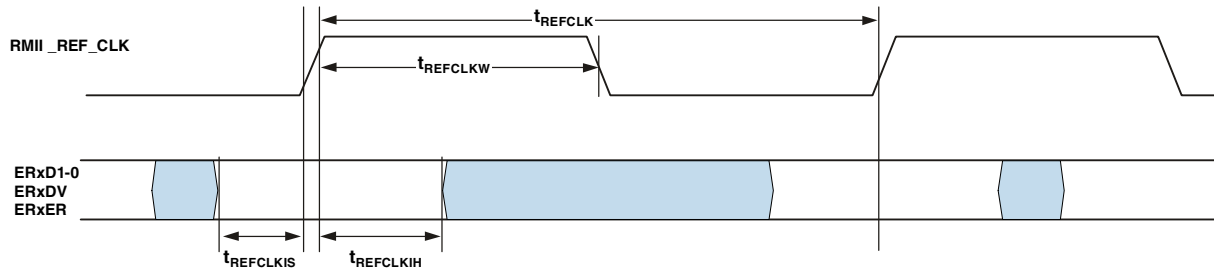


Figure 37. 10/100 Ethernet MAC Controller Timing: RMI Receive Signal

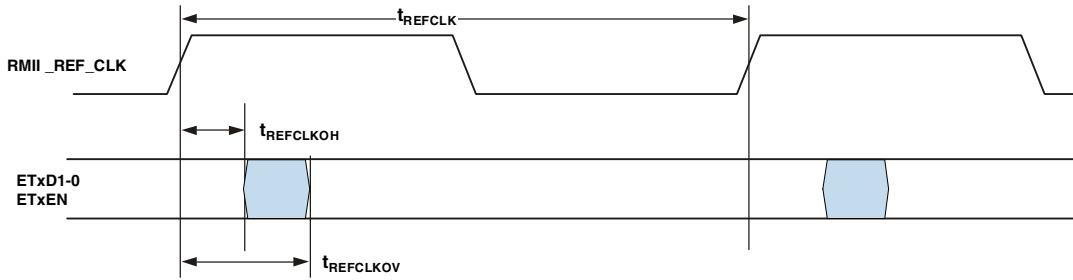


Figure 38. 10/100 Ethernet MAC Controller Timing: RMI Transmit Signal

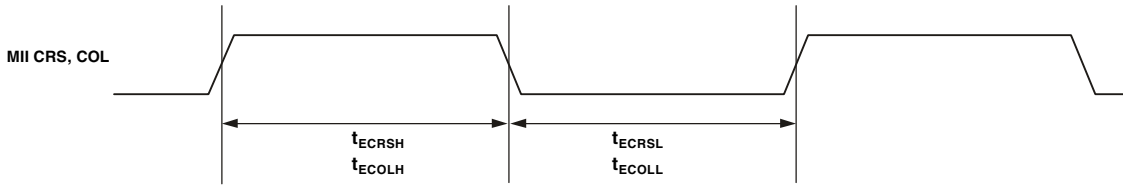


Figure 39. 10/100 Ethernet MAC Controller Timing: Asynchronous Signal

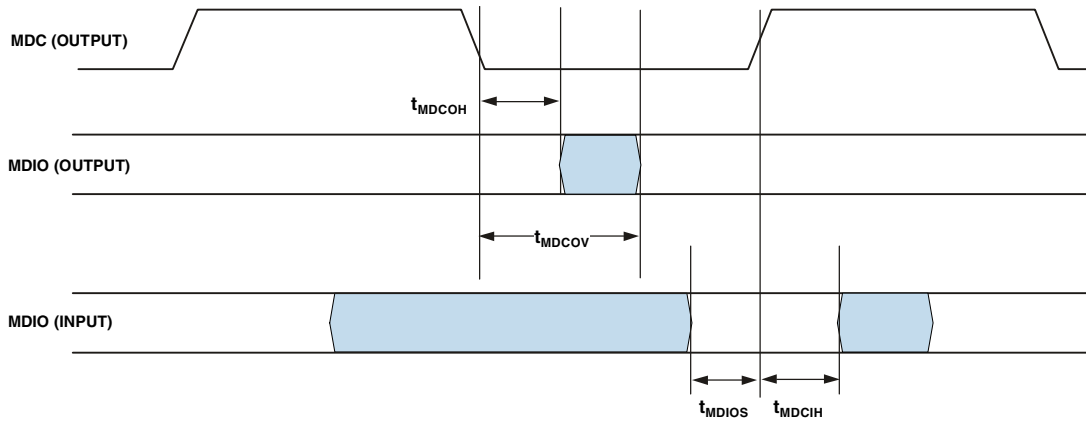


Figure 40. 10/100 Ethernet MAC Controller Timing: MII Station Management

JTAG Test And Emulation Port Timing

Table 56 and Figure 41 describe JTAG port operations.

Table 56. JTAG Port Timing

Parameter	$V_{DDEXT} = 1.8\text{ V}$		$V_{DDEXT} = 2.5/3.3\text{ V}$		Unit
	Min	Max	Min	Max	
<i>Timing Parameters</i>					
t_{TCK}	TCK Period		20	20	ns
t_{STAP}	TDI, TMS Setup Before TCK High		4	4	ns
t_{HTAP}	TDI, TMS Hold After TCK High		4	4	ns
t_{SSYS}	System Inputs Setup Before TCK High ¹		12	12	ns
t_{HSYS}	System Inputs Hold After TCK High ¹		5	5	ns
t_{TRSTW}	$\overline{\text{TRST}}$ Pulse Width ² (measured in TCK cycles)		4	4	TCK
<i>Switching Characteristics</i>					
t_{DTDO}	TDO Delay from TCK Low			10	ns
t_{DSYS}	System Outputs Delay After TCK Low ³			12	ns

¹ System Inputs = DATA15-0, ARDY, SCL, SDA, PF15-0, PG15-0, PH15-0, TCK, $\overline{\text{TRST}}$, $\overline{\text{RESET}}$, NMI, BMODE3-0.

² 50 MHz Maximum

³ System Outputs = DATA15-0, ADDR19-1, $\overline{\text{ABE1-0}}$, $\overline{\text{AOE}}$, $\overline{\text{ARE}}$, $\overline{\text{AWE}}$, AMS3-0, SRAS, SCAS, $\overline{\text{SWE}}$, SCKE, CLKOUT, SA10, $\overline{\text{SMS}}$, SCL, SDA, PF15-0, PG15-0, PH15-0, TDO, EMU.

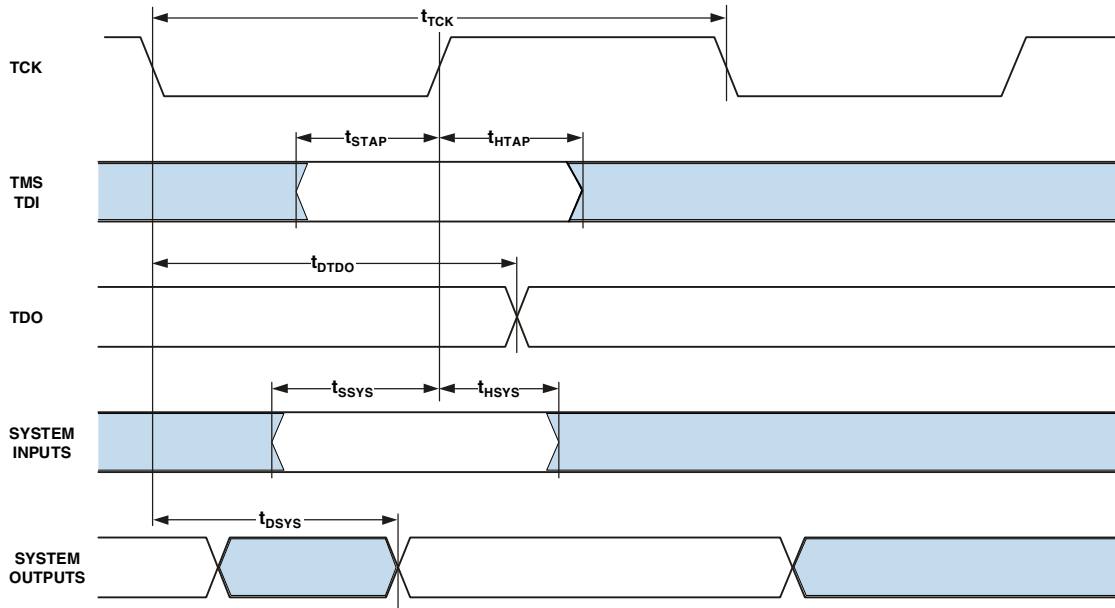


Figure 41. JTAG Port Timing

OUTPUT DRIVE CURRENTS

Figure 42 through Figure 56 show typical current-voltage characteristics for the output drivers of the ADSP-BF523/525/527 and ADSP-BF522/524/526 processors.

The curves represent the current drive capability of the output drivers. See Table 10 on Page 22 for information about which driver type corresponds to a particular ball.

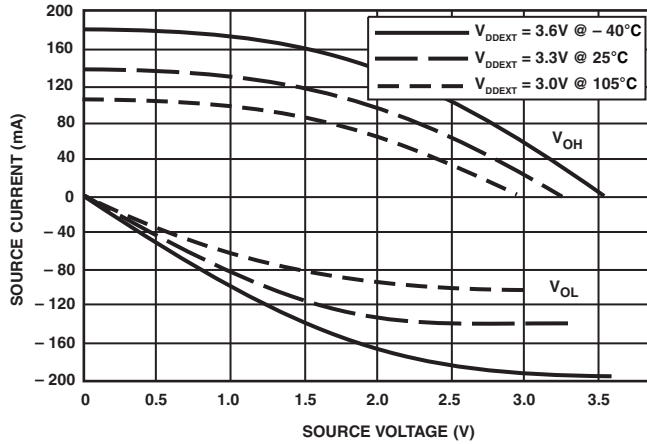


Figure 42. Driver Type A Current ($3.3V_{DDEXT}/V_{DDMEV}$)

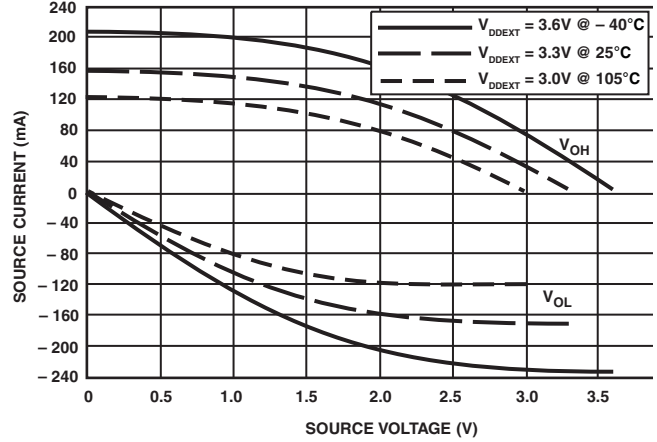


Figure 45. Driver Type B Current ($3.3V_{DDEXT}/V_{DDMEV}$)

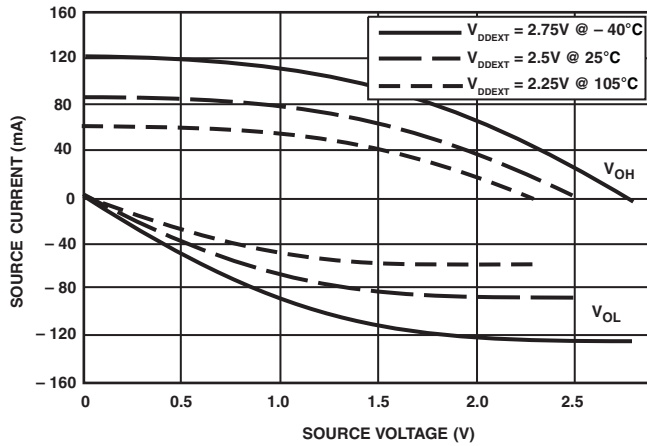


Figure 43. Driver Type A Current ($2.5V_{DDEXT}/V_{DDMEV}$)

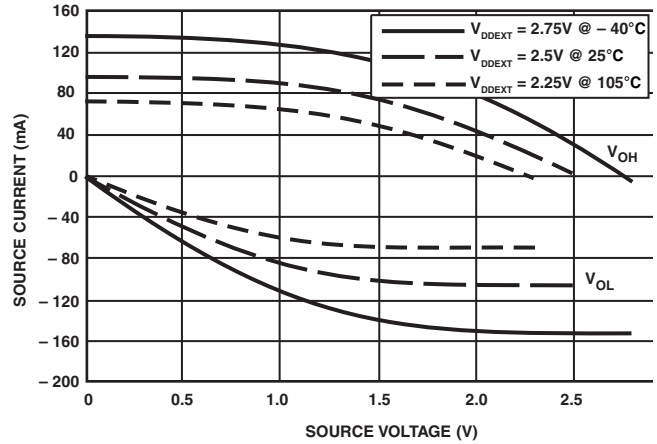


Figure 46. Driver Type B Current ($2.5V_{DDEXT}/V_{DDMEV}$)

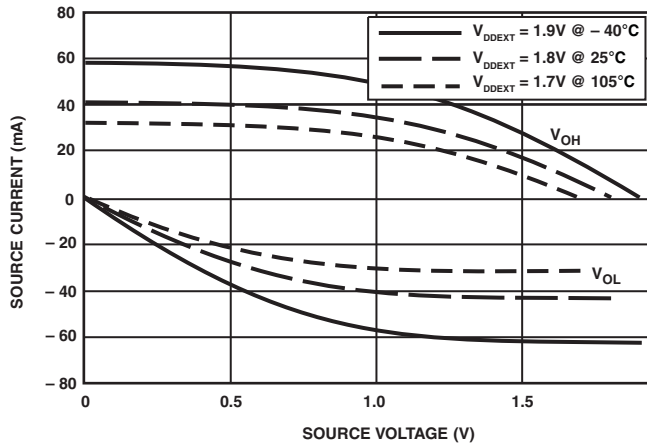


Figure 44. Driver Type A Current ($1.8V_{DDEXT}/V_{DDMEV}$)

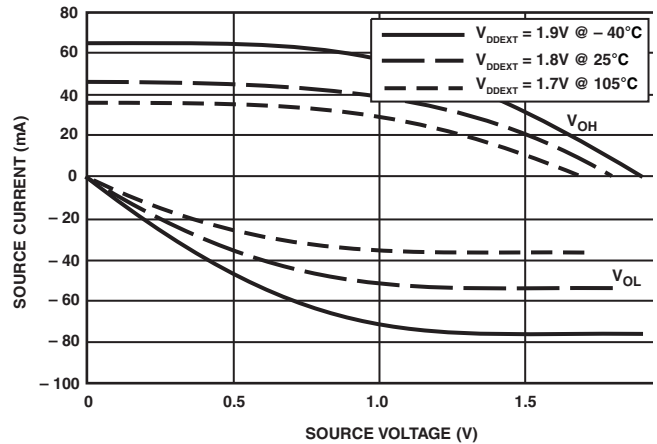


Figure 47. Driver Type B Current ($1.8V_{DDEXT}/V_{DDMEV}$)

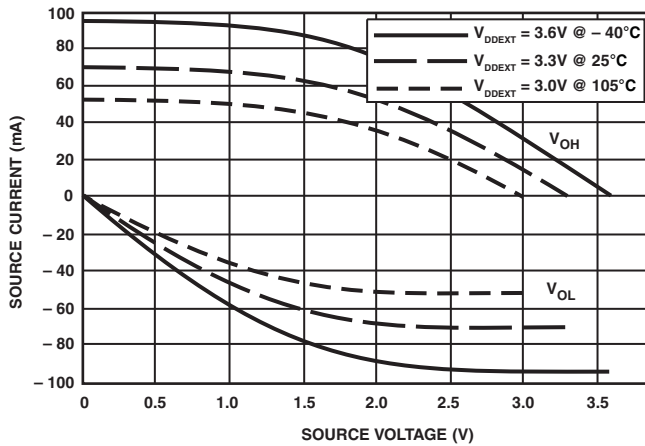


Figure 48. Driver Type C Current ($3.3V V_{DDEXT}/V_{DDMEM}$)

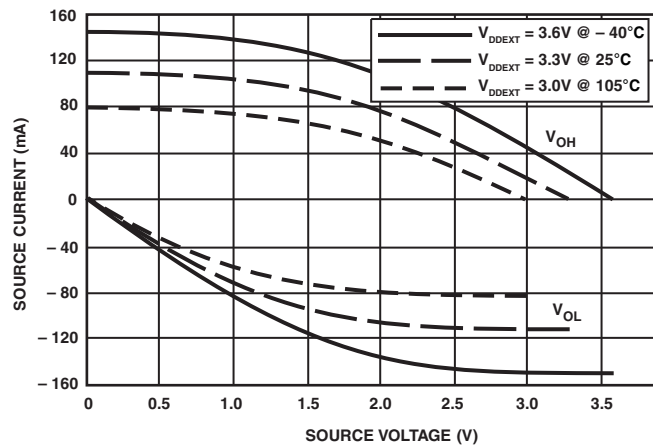


Figure 51. Driver Type D Current ($3.3V V_{DDEXT}/V_{DDMEM}$)

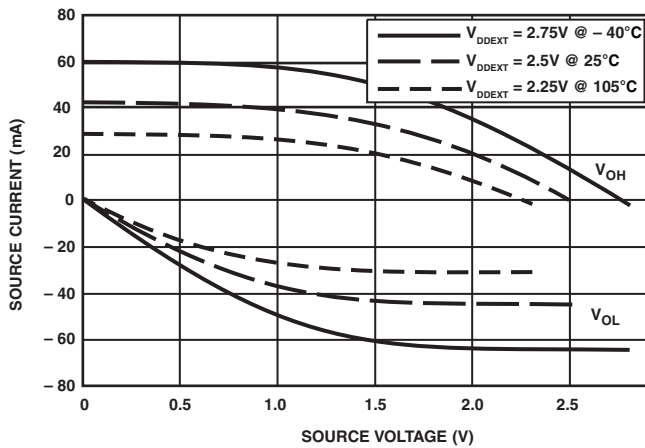


Figure 49. Drive Type C Current ($2.5V V_{DDEXT}/V_{DDMEM}$)

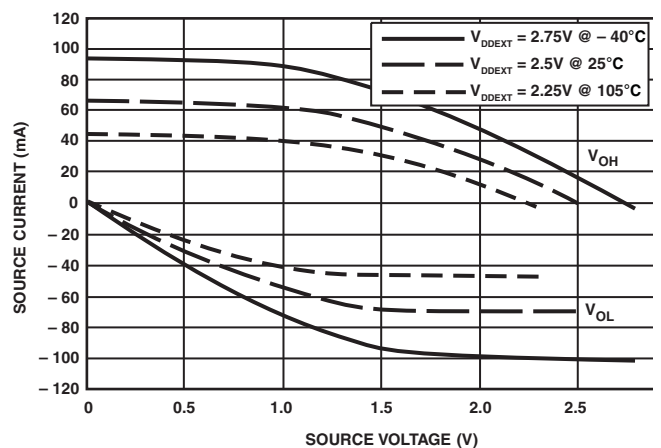


Figure 52. Driver Type D Current ($2.5V V_{DDEXT}/V_{DDMEM}$)

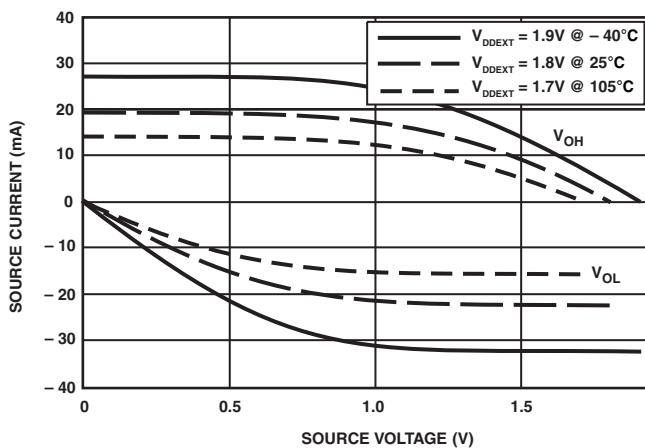


Figure 50. Driver Type C Current ($1.8V V_{DDEXT}/V_{DDMEM}$)

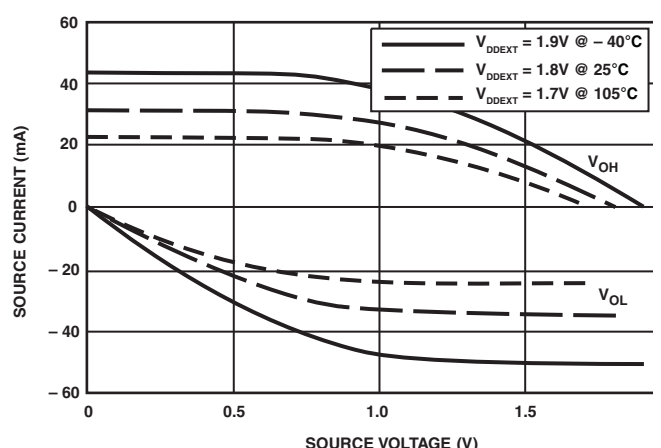


Figure 53. Driver Type D Current ($1.8V V_{DDEXT}/V_{DDMEM}$)

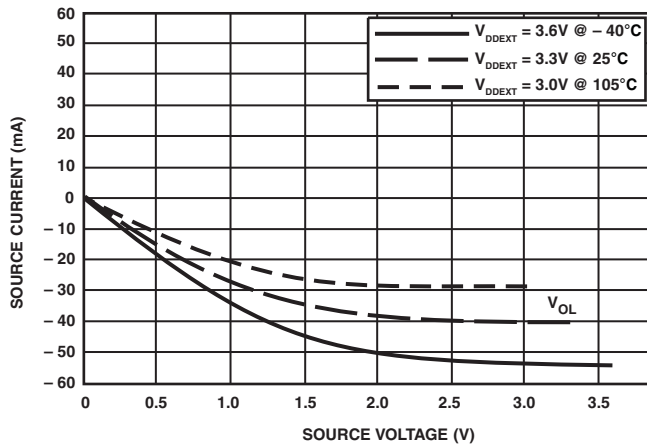


Figure 54. Driver Type E Current ($3.3V_{DDEXT}/V_{DDMEW}$)

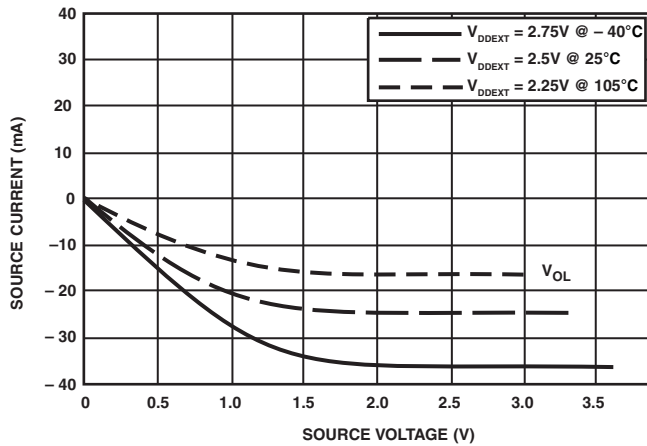


Figure 55. Driver Type E Current ($2.5V_{DDEXT}/V_{DDMEW}$)

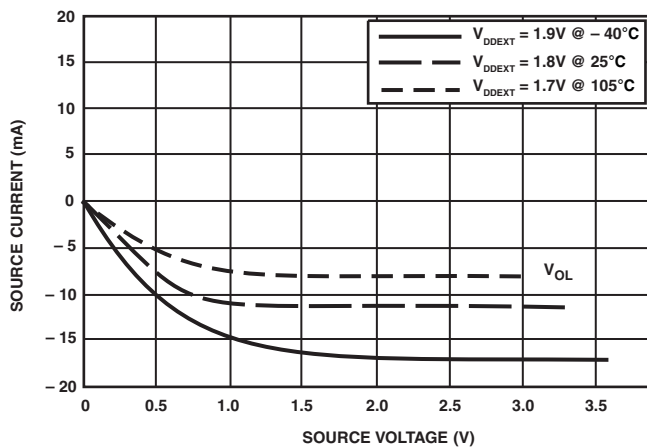


Figure 56. Driver Type E Current ($1.8V_{DDEXT}/V_{DDMEW}$)

TEST CONDITIONS

All timing parameters appearing in this data sheet were measured under the conditions described in this section. Figure 57 shows the measurement point for AC measurements (except output enable/disable). The measurement point V_{MEAS} is $V_{DDEXT}/2$ or $V_{DDMEM}/2$ for V_{DDEXT}/V_{DDMEM} (nominal) = 1.8 V/2.5 V/3.3 V.

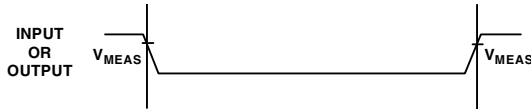


Figure 57. Voltage Reference Levels for AC Measurements (Except Output Enable/Disable)

Output Enable Time Measurement

Output balls are considered to be enabled when they have made a transition from a high impedance state to the point when they start driving.

The output enable time t_{ENA} is the interval from the point when a reference signal reaches a high or low voltage level to the point when the output starts driving as shown on the right side of Figure 58.

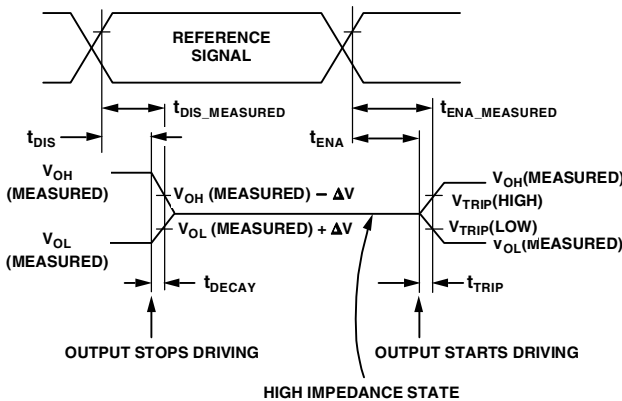


Figure 58. Output Enable/Disable

The time $t_{ENA_MEASURED}$ is the interval, from when the reference signal switches, to when the output voltage reaches $V_{TRIP}(high)$ or $V_{TRIP}(low)$. For V_{DDEXT}/V_{DDMEM} (nominal) = 1.8V, $V_{TRIP}(high)$ is 1.05V, and $V_{TRIP}(low)$ is 0.75V. For V_{DDEXT}/V_{DDMEM} (nominal) = 2.5V, $V_{TRIP}(high)$ is 1.5V and $V_{TRIP}(low)$ is 1.0V. For V_{DDEXT}/V_{DDMEM} (nominal) = 3.3V, $V_{TRIP}(high)$ is 1.9V, and $V_{TRIP}(low)$ is 1.4V. Time t_{TRIP} is the interval from when the output starts driving to when the output reaches the $V_{TRIP}(high)$ or $V_{TRIP}(low)$ trip voltage.

Time t_{ENA} is calculated as shown in the equation:

$$t_{ENA} = t_{ENA_MEASURED} - t_{TRIP}$$

If multiple balls (such as the data bus) are enabled, the measurement value is that of the first ball to start driving.

Output Disable Time Measurement

Output balls are considered to be disabled when they stop driving, go into a high impedance state, and start to decay from their output high or low voltage. The output disable time t_{DIS} is the difference between $t_{DIS_MEASURED}$ and t_{DECA} as shown on the left side of Figure 58.

$$t_{DIS} = t_{DIS_MEASURED} - t_{DECA}$$

The time for the voltage on the bus to decay by ΔV is dependent on the capacitive load C_L and the load current I_L . This decay time can be approximated by the equation:

$$t_{DECA} = (C_L \Delta V) / I_L$$

The time t_{DECA} is calculated with test loads C_L and I_L , and with ΔV equal to 0.25 V for V_{DDEXT}/V_{DDMEM} (nominal) = 2.5 V/3.3 V and 0.15 V for V_{DDEXT}/V_{DDMEM} (nominal) = 1.8V.

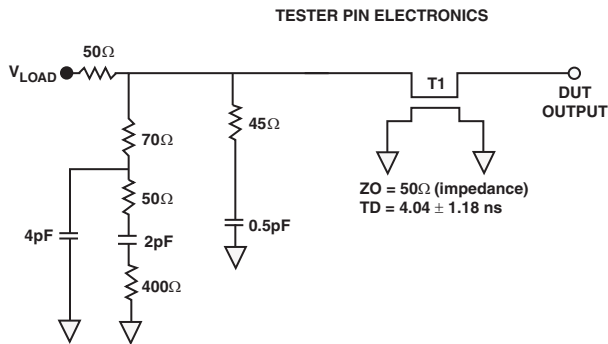
The time $t_{DIS_MEASURED}$ is the interval from when the reference signal switches, to when the output voltage decays ΔV from the measured output high or output low voltage.

Example System Hold Time Calculation

To determine the data output hold time in a particular system, first calculate t_{DECA} using the equation given above. Choose ΔV to be the difference between the processor's output voltage and the input threshold for the device requiring the hold time. C_L is the total bus capacitance (per data line), and I_L is the total leakage or three-state current (per data line). The hold time will be t_{DECA} plus the various output disable times as specified in the Timing Specifications on Page 38 (for example t_{DSDAT} for an SDRAM write cycle as shown in SDRAM Interface Timing on Page 44).

Capacitive Loading

Output delays and holds are based on standard capacitive loads of an average of 6 pF on all balls (see Figure 59). V_{LOAD} is equal to $(V_{DDEXT}/V_{DDMEM}) / 2$. The graphs of Figure 60 through Figure 71 show how output rise time varies with capacitance. The delay and hold specifications given should be derated by a factor derived from these figures. The graphs in these figures may not be linear outside the ranges shown.



NOTES:

THE WORST CASE TRANSMISSION LINE DELAY IS SHOWN AND CAN BE USED FOR THE OUTPUT TIMING ANALYSIS TO REFLECT THE TRANSMISSION LINE EFFECT AND MUST BE CONSIDERED. THE TRANSMISSION LINE (TD), IS FOR LOAD ONLY AND DOES NOT AFFECT THE DATA SHEET TIMING SPECIFICATIONS.

ANALOG DEVICES RECOMMENDS USING THE IBIS MODEL TIMING FOR A GIVEN SYSTEM REQUIREMENT. IF NECESSARY, A SYSTEM MAY INCORPORATE EXTERNAL DRIVERS TO COMPENSATE FOR ANY TIMING DIFFERENCES.

Figure 59. Equivalent Device Loading for AC Measurements
(Includes All Fixtures)

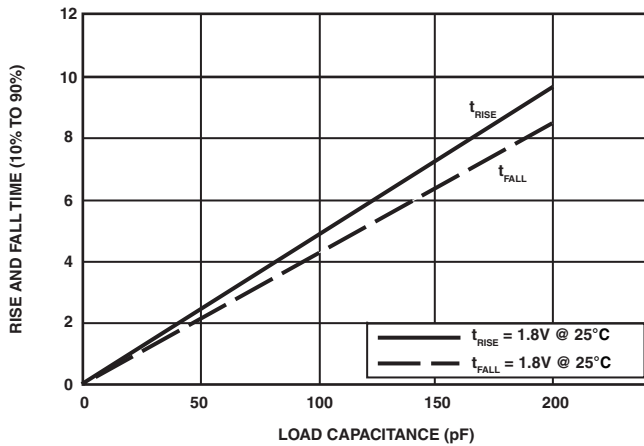


Figure 60. Driver Type A Typical Rise and Fall Times (10%–90%) versus Load Capacitance ($1.8V V_{DDEXT}/V_{DDMEM}$)

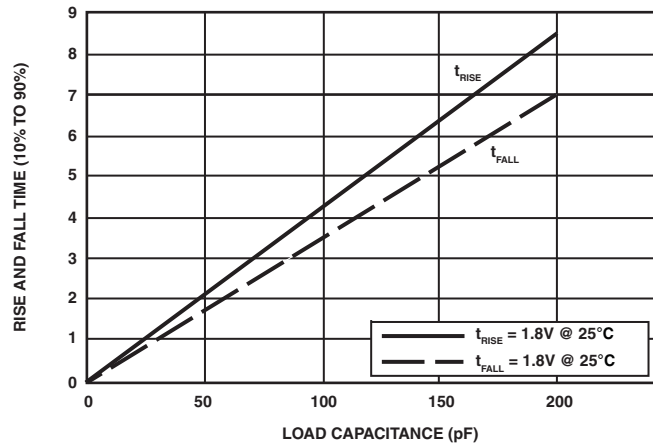


Figure 63. Driver Type B Typical Rise and Fall Times (10%–90%) versus Load Capacitance ($1.8V V_{DDEXT}/V_{DDMEM}$)

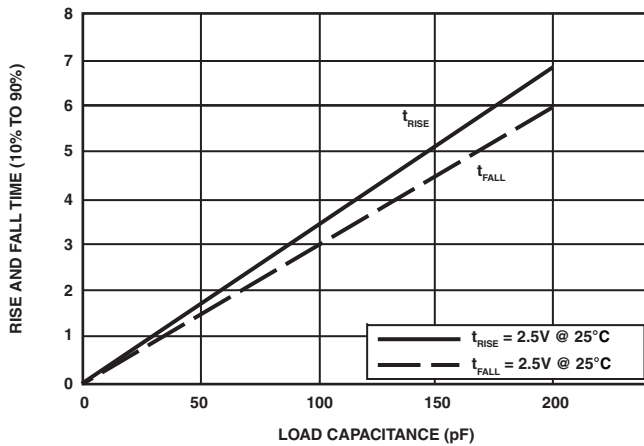


Figure 61. Driver Type A Typical Rise and Fall Times (10%–90%) versus Load Capacitance ($2.5V V_{DDEXT}/V_{DDMEM}$)

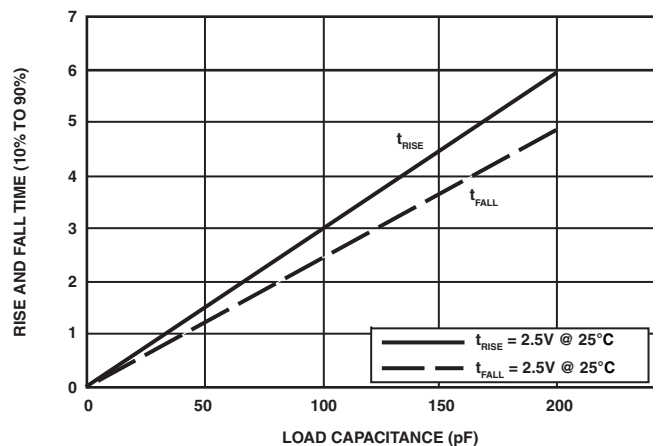


Figure 64. Driver Type B Typical Rise and Fall Times (10%–90%) versus Load Capacitance ($2.5V V_{DDEXT}/V_{DDMEM}$)

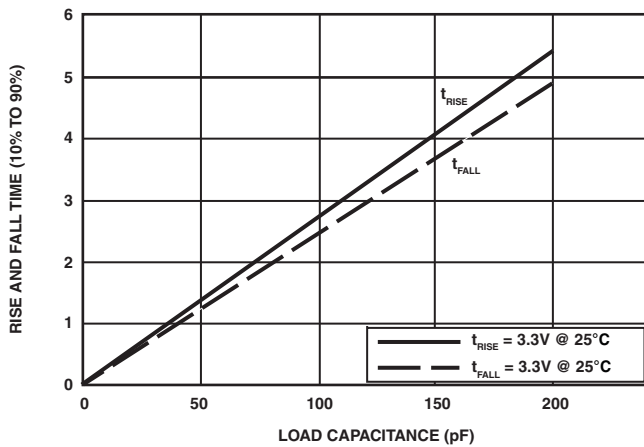


Figure 62. Driver Type A Typical Rise and Fall Times (10%–90%) versus Load Capacitance ($3.3V V_{DDEXT}/V_{DDMEM}$)

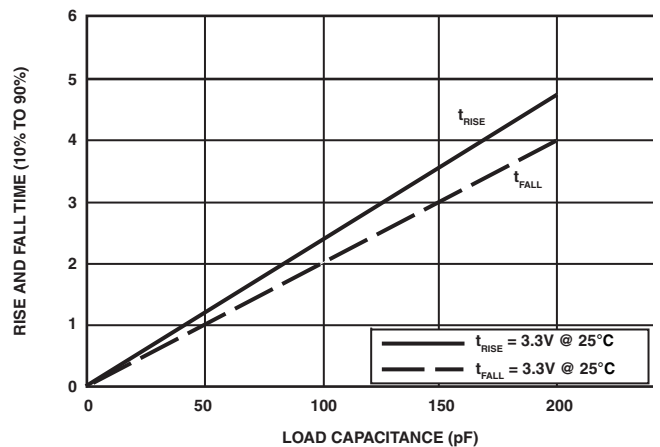


Figure 65. Driver Type B Typical Rise and Fall Times (10%–90%) versus Load Capacitance ($3.3V V_{DDEXT}/V_{DDMEM}$)

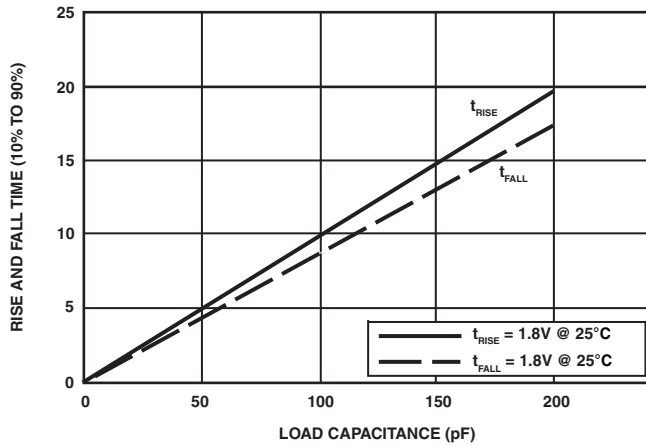


Figure 66. Driver Type C Typical Rise and Fall Times (10%–90%) versus Load Capacitance ($1.8V V_{DDEXT}/V_{DDMEM}$)

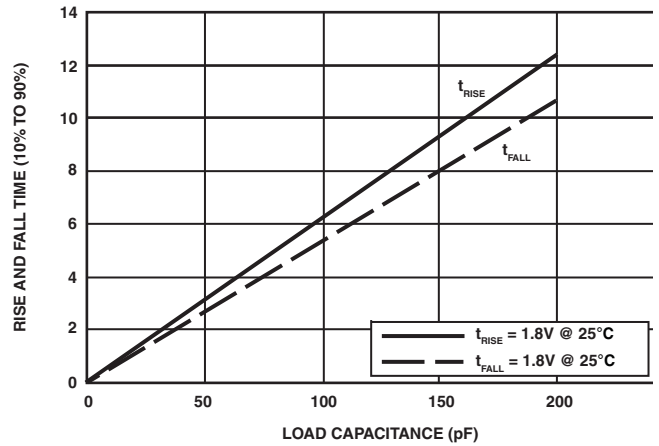


Figure 69. Driver Type D Typical Rise and Fall Times (10%–90%) versus Load Capacitance ($1.8V V_{DDEXT}/V_{DDMEM}$)

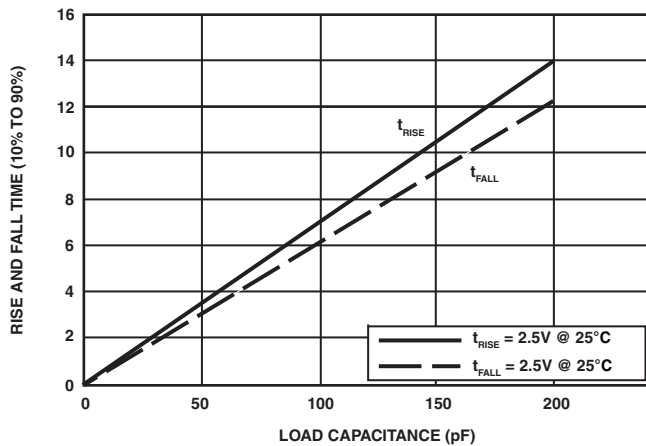


Figure 67. Driver Type C Typical Rise and Fall Times (10%–90%) versus Load Capacitance ($2.5V V_{DDEXT}/V_{DDMEM}$)

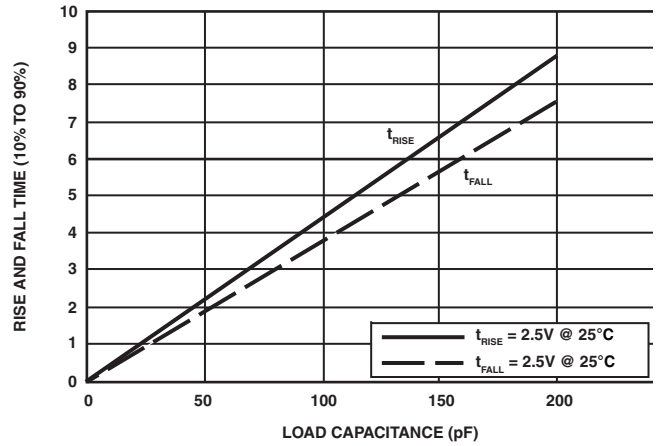


Figure 70. Driver Type D Typical Rise and Fall Times (10%–90%) versus Load Capacitance ($2.5V V_{DDEXT}/V_{DDMEM}$)

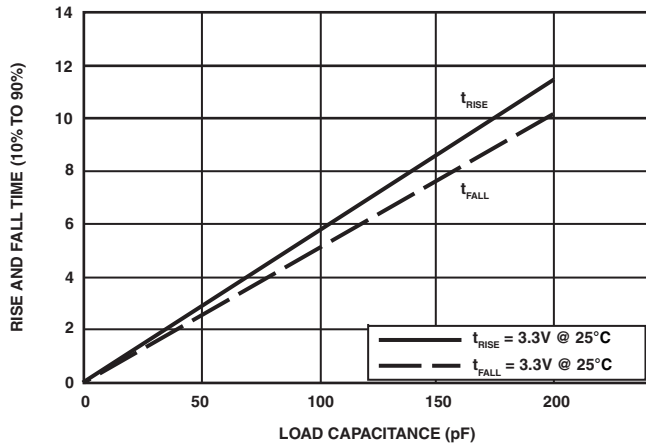


Figure 68. Driver Type C Typical Rise and Fall Times (10%–90%) versus Load Capacitance ($3.3V V_{DDEXT}/V_{DDMEM}$)

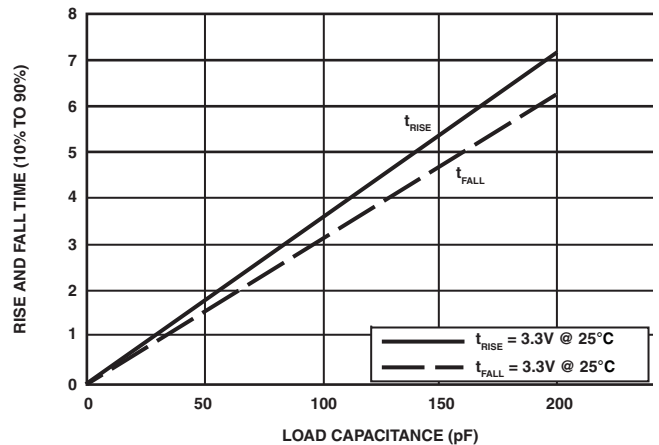


Figure 71. Driver Type D Typical Rise and Fall Times (10%–90%) versus Load Capacitance ($3.3V V_{DDEXT}/V_{DDMEM}$)

ENVIRONMENTAL CONDITIONS

To determine the junction temperature on the application printed circuit board use:

$$T_J = T_{CASE} + (\Psi_{JT} \times P_D)$$

where:

T_J = Junction temperature (°C)

T_{CASE} = Case temperature (°C) measured by customer at top center of package.

Ψ_{JT} = From [Table 58](#)

P_D = Power dissipation — For a description, see [Total Power Dissipation on Page 33](#).

Values of θ_{JA} are provided for package comparison and printed circuit board design considerations. θ_{JA} can be used for a first order approximation of T_J by the equation:

$$T_J = T_A + (\theta_{JA} \times P_D)$$

where:

T_A = Ambient temperature (°C)

Values of θ_{JC} are provided for package comparison and printed circuit board design considerations when an external heat sink is required.

Values of θ_{JB} are provided for package comparison and printed circuit board design considerations.

In [Table 58](#), airflow measurements comply with JEDEC standards JESD51-2 and JESD51-6, and the junction-to-board measurement complies with JESD51-8. The junction-to-case measurement complies with MIL-STD-883 (Method 1012.1). All measurements use a 2S2P JEDEC test board.

Table 57. Thermal Characteristics (BC-208-1)

Parameter	Condition	Typical	Unit
θ_{JA}	0 linear m/s air flow	23.20	°C/W
θ_{JMA}	1 linear m/s air flow	20.20	°C/W
θ_{JMA}	2 linear m/s air flow	19.20	°C/W
θ_{JB}		13.05	°C/W
θ_{JC}		6.92	°C/W
Ψ_{JT}	0 linear m/s air flow	0.18	°C/W
Ψ_{JT}	1 linear m/s air flow	0.27	°C/W
Ψ_{JT}	2 linear m/s air flow	0.32	°C/W

Table 58. Thermal Characteristics (BC-289-2)

Parameter	Condition	Typical	Unit
θ_{JA}	0 linear m/s air flow	34.5	°C/W
θ_{JMA}	1 linear m/s air flow	31.1	°C/W
θ_{JMA}	2 linear m/s air flow	29.8	°C/W
θ_{JB}		20.3	°C/W
θ_{JC}		8.8	°C/W
Ψ_{JT}	0 linear m/s air flow	0.24	°C/W
Ψ_{JT}	1 linear m/s air flow	0.44	°C/W
Ψ_{JT}	2 linear m/s air flow	0.53	°C/W

289-BALL CSP_BGA BALL ASSIGNMENT

Table 59 lists the CSP_BGA balls by signal mnemonic.

Table 60 on Page 73 lists the CSP_BGA by ball number.

Table 59. 289-Ball CSP_BGA Ball Assignment (Alphabetically by Signal)

Signal	Ball No.	Signal	Ball No.	Signal	Ball No.	Signal	Ball No.	Signal	Ball No.	Signal	Ball No.		
ABE0/SDQM0	AB9	DATA9	P1	GND	N9	VPPOTP	AB11	PH12	M23	V _{DDEXT}	N17	V _{DDMEM}	T7
ABET/SDQM1	AC9	DATA10	P2	GND	N10	PF0	A7	PH13	N22	V _{DDEXT}	P17	V _{DDMEM}	U7
ADDR1	AB8	DATA11	R2	GND	N11	PF1	B8	PH14	N23	V _{DDEXT}	R17	V _{DDMEM}	U8
ADDR2	AC8	DATA12	N1	GND	N12	PF2	A8	PH15	P22	V _{DDEXT}	T17	V _{DDMEM}	U9
ADDR3	AB7	DATA13	N2	GND	N13	PF3	B9	PPI_CLK/TMRCLK	A6	V _{DDEXT}	U17	V _{DDMEM}	U10
ADDR4	AC7	DATA14	M2	GND	N14	PF4	B11	PPI_FS1/TMR0	B7	V _{DDINT}	B5	V _{DDMEM}	U11
ADDR5	AC6	DATA15	M1	GND	N15	PF5	B10	RESET	V22	V _{DDINT}	H8	V _{DDMEM}	U12
ADDR6	AB6	EMU	J2	GND	P9	PF6	B12	RTXI	U23	V _{DDINT}	H9	V _{DDMEM}	U13
ADDR7	AB4	EXT_WAKE0	AC19	GND	P10	PF7	B13	RTXO	V23	V _{DDINT}	H10	V _{DDMEM}	U14
ADDR8	AB5	GND	A1	GND	P11	PF8	B16	SA10	AC10	V _{DDINT}	H11	V _{DDMEM}	U15
ADDR9	AC5	GND	A23	GND	P12	PF9	A20	SCAS	AC11	V _{DDINT}	H12	V _{DDMEM}	U16
ADDR10	AC4	GND	B6	GND	P13	PF10	B15	SCKE	AB13	V _{DDINT}	H13	V _{DDOTP}	AC12
ADDR11	AB3	GND ¹	G16	GND	P14	PF11	B17	SCL	B22	V _{DDINT}	H14	V _{DDRTC}	W23
ADDR12	AC3	GND	G17	GND	P15	PF12	B18	SDA	C22	V _{DDINT}	H15	V _{DDUSB}	W22
ADDR13	AB2	GND ¹	H17	GND	R9	PF13	B19	SMS	AC13	V _{DDINT}	H16	V _{DDUSB}	Y23
ADDR14	AC2	GND	H22	GND	R10	PF14	A9	SRAS	AB12	V _{DDINT}	J8	NC	G23
ADDR15	AA2	GND ¹	J22	GND	R11	PF15	A10	SS/PG	AC20	V _{DDINT}	J16	VR _{OUT} /EXT_WAKE1	AC18
ADDR16	W2	GND	J9	GND	R12	PG0	H2	SWE	AB10	V _{DDINT}	K8	VR _{SEL} /V _{DDEXT}	AB22
ADDR17	Y2	GND	J10	GND	R13	PG1	G1	TCK	L1	V _{DDINT}	K16	XTAL	P23
ADDR18	AA1	GND	J11	GND	R14	PG2	H1	TDI	J1	V _{DDINT}	L8		
ADDR19	AB1	GND	J12	GND	R15	PG3	F1	TDO	K1	V _{DDINT}	L16		
AMS0	AC17	GND	J13	GND	T22	PG4	D1	TMS	L2	V _{DDINT}	M8		
AMST	AB16	GND	J14	GND	AC1	PG5	D2	TRST	K2	V _{DDINT}	M16		
AMS2	AC16	GND	J15	GND	AC23	PG6	C2	USB_DM	AB21	V _{DDINT}	N8		
AMS3	AB15	GND	K9	NC	A15	PG7	B1	USB_DP	AA22	V _{DDINT}	N16		
AOE	AC15	GND	K10	NC	A16	PG8	C1	USB_ID	Y22	V _{DDINT}	P8		
ARDY	AC14	GND	K11	NC	A17	PG9	B2	USB_RSET	AC21	V _{DDINT}	P16		
ARE	AB17	GND	K12	NC	A18	PG10	B4	USB_VBUS	AB20	V _{DDINT}	R8		
AWE	AB14	GND	K13	NC	A19	PG11	B3	USB_VREF	AC22	V _{DDINT}	R16		
BMODE0	G2	GND	K14	NC	A21	PG12	A2	USB_XI	AB23	V _{DDINT}	T8		
BMODE1	F2	GND	K15	NC	A22	PG13	A3	USB_XO	AA23	V _{DDINT}	T9		
BMODE2	E1	GND	L9	NC	B20	PG14	A4	V _{DDEXT}	G7	V _{DDINT}	T10		
BMODE3	E2	GND	L10	NC	B21	PG15	A5	V _{DDEXT}	G8	V _{DDINT}	T11		
CLKBUF	AB19	GND	L11	NC	B23	PH0	A11	V _{DDEXT}	G9	V _{DDINT}	T12		
CLKIN	R23	GND	L12	NC	C23	PH1	A12	V _{DDEXT}	G10	V _{DDINT}	T13		
CLKOUT	AB18	GND	L13	NC	D22	PH2	A13	V _{DDEXT}	G11	V _{DDINT}	T14		
DATA0	Y1	GND	L14	NC	D23	PH3	B14	V _{DDEXT}	G12	V _{DDINT}	T15		
DATA1	V2	GND	L15	NC	E22	PH4	A14	V _{DDEXT}	G13	V _{DDINT}	T16		
DATA2	W1	GND	M9	NC	E23	PH5	K23	V _{DDEXT}	G14	V _{DDMEM}	J7		
DATA3	U2	GND	M10	NC	F22	PH6	K22	V _{DDEXT}	G15	V _{DDMEM}	K7		
DATA4	V1	GND	M11	NC	F23	PH7	L23	V _{DDEXT}	H7	V _{DDMEM}	L7		
DATA5	U1	GND	M12	NC	G22	PH8	L22	V _{DDEXT}	J17	V _{DDMEM}	M7		
DATA6	T2	GND	M13	NC	H23	PH9	T23	V _{DDEXT}	K17	V _{DDMEM}	N7		
DATA7	T1	GND	M14	NC	J23	PH10	M22	V _{DDEXT}	L17	V _{DDMEM}	P7		
DATA8	R1	GND	M15	NMI	U22	PH11	R22	V _{DDEXT}	M17	V _{DDMEM}	R7		

NOTE: In this table, **BOLD TYPE** indicates the sole signal/function for that ball on ADSP-BF522/524/526 processors.

¹ For ADSP-BF52xC compatibility, connect this ball to V_{DDEXT}.

Table 60. 289-Ball CSP_BGA Ball Assignment (Numerically by Ball Number)

Ball Signal No.	Ball Signal No.	Ball Signal No.	Ball Signal No.	Ball Signal No.	Ball Signal No.	Ball Signal No.
A1 GND	B23 NC	H22 GND	L22 PH8	P22 PH15	U22 NMI	AC5 ADDR9
A2 PG12	C1 PG8	H23 NC	L23 PH7	P23 XTAL	U23 RTXI	AC6 ADDR5
A3 PG13	C2 PG6	J1 TDI	M1 DATA15	R1 DATA8	V1 DATA4	AC7 ADDR4
A4 PG14	C22 SDA	J2 EMU	M2 DATA14	R2 DATA11	V2 DATA1	AC8 ADDR2
A5 PG15	C23 NC	J7 V _{DDMEM}	M7 V _{DDMEM}	R7 V _{DDMEM}	V22 RESET	AC9 $\overline{ABE1}/SDQM1$
A6 PPI_CLK/TMRCLK	D1 PG4	J8 V _{DDINT}	M8 V _{DDINT}	R8 V _{DDINT}	V23 RTXO	AC10 SA10
A7 PF0	D2 PG5	J9 GND	M9 GND	R9 GND	W1 DATA2	AC11 $\overline{SCA5}$
A8 PF2	D22 NC	J10 GND	M10 GND	R10 GND	W2 ADDR16	AC12 V _{DDOTP}
A9 PF14	D23 NC	J11 GND	M11 GND	R11 GND	W22 V _{DDUSB}	AC13 $\overline{SM5}$
A10 PF15	E1 BMODE2	J12 GND	M12 GND	R12 GND	W23 V _{DDRTC}	AC14 ARDY
A11 PH0	E2 BMODE3	J13 GND	M13 GND	R13 GND	Y1 DATA0	AC15 \overline{AOE}
A12 PH1	E22 NC	J14 GND	M14 GND	R14 GND	Y2 ADDR17	AC16 $\overline{AMS2}$
A13 PH2	E23 NC	J15 GND	M15 GND	R15 GND	Y22 USB_ID	AC17 $\overline{AMS0}$
A14 PH4	F1 PG3	J16 V _{DDINT}	M16 V _{DDINT}	R16 V _{DDINT}	Y23 V _{DDUSB}	AC18 VR _{OUT} /EXT_WAKE1
A15 NC	F2 BMODE1	J17 V _{DDEXT}	M17 V _{DDEXT}	R17 V _{DDEXT}	AA1 ADDR18	AC19 EXT_WAKE0
A16 NC	F22 NC	J22 GND ¹	M22 PH10	R22 PH11	AA2 ADDR15	AC20 SS/ \overline{PG}
A17 NC	F23 NC	J23 NC	M23 PH12	R23 CLKIN	AA22 USB_DP	AC21 USB_RSET
A18 NC	G1 PG1	K1 TDO	N1 DATA12	T1 DATA7	AA23 USB_XO	AC22 USB_VREF
A19 NC	G2 BMODE0	K2 TRST	N2 DATA13	T2 DATA6	AB1 ADDR19	AC23 GND
A20 PF9	G7 V _{DDEXT}	K7 V _{DDMEM}	N7 V _{DDMEM}	T7 V _{DDMEM}	AB2 ADDR13	
A21 NC	G8 V _{DDEXT}	K8 V _{DDINT}	N8 V _{DDINT}	T8 V _{DDINT}	AB3 ADDR11	
A22 NC	G9 V _{DDEXT}	K9 GND	N9 GND	T9 V _{DDINT}	AB4 ADDR7	
A23 GND	G10 V _{DDEXT}	K10 GND	N10 GND	T10 V _{DDINT}	AB5 ADDR8	
B1 PG7	G11 V _{DDEXT}	K11 GND	N11 GND	T11 V _{DDINT}	AB6 ADDR6	
B2 PG9	G12 V _{DDEXT}	K12 GND	N12 GND	T12 V _{DDINT}	AB7 ADDR3	
B3 PG11	G13 V _{DDEXT}	K13 GND	N13 GND	T13 V _{DDINT}	AB8 ADDR1	
B4 PG10	G14 V _{DDEXT}	K14 GND	N14 GND	T14 V _{DDINT}	AB9 $\overline{ABE0}/SDQM0$	
B5 V _{DDINT}	G15 V _{DDEXT}	K15 GND	N15 GND	T15 V _{DDINT}	AB10 \overline{SWE}	
B6 GND	G16 GND ¹	K16 V _{DDINT}	N16 V _{DDINT}	T16 V _{DDINT}	AB11 VPPOTP	
B7 PPI_FS1/TMRO	G17 GND	K17 V _{DDEXT}	N17 V _{DDEXT}	T17 V _{DDEXT}	AB12 \overline{SRAS}	
B8 PF1	G22 NC	K22 PH6	N22 PH13	T22 GND	AB13 SCKE	
B9 PF3	G23 NC	K23 PH5	N23 PH14	T23 PH9	AB14 \overline{AWE}	
B10 PF5	H1 PG2	L1 TCK	P1 DATA9	U1 DATA5	AB15 $\overline{AMS3}$	
B11 PF4	H2 PG0	L2 TMS	P2 DATA10	U2 DATA3	AB16 \overline{AMST}	
B12 PF6	H7 V _{DDEXT}	L7 V _{DDMEM}	P7 V _{DDMEM}	U7 V _{DDMEM}	AB17 \overline{ARE}	
B13 PF7	H8 V _{DDINT}	L8 V _{DDINT}	P8 V _{DDINT}	U8 V _{DDMEM}	AB18 CLKOUT	
B14 PH3	H9 V _{DDINT}	L9 GND	P9 GND	U9 V _{DDMEM}	AB19 CLKBUF	
B15 PF10	H10 V _{DDINT}	L10 GND	P10 GND	U10 V _{DDMEM}	AB20 USB_VBUS	
B16 PF8	H11 V _{DDINT}	L11 GND	P11 GND	U11 V _{DDMEM}	AB21 USB_DM	
B17 PF11	H12 V _{DDINT}	L12 GND	P12 GND	U12 V _{DDMEM}	AB22 VR _{SEL} /V _{DDEXT}	
B18 PF12	H13 V _{DDINT}	L13 GND	P13 GND	U13 V _{DDMEM}	AB23 USB_XI	
B19 PF13	H14 V _{DDINT}	L14 GND	P14 GND	U14 V _{DDMEM}	AC1 GND	
B20 NC	H15 V _{DDINT}	L15 GND	P15 GND	U15 V _{DDMEM}	AC2 ADDR14	
B21 NC	H16 V _{DDINT}	L16 V _{DDINT}	P16 V _{DDINT}	U16 V _{DDMEM}	AC3 ADDR12	
B22 SCL	H17 GND ¹	L17 V _{DDEXT}	P17 V _{DDEXT}	U17 V _{DDEXT}	AC4 ADDR10	

NOTE: In this table, **BOLD TYPE** indicates the sole signal/function for that ball on ADSP-BF522/524/526 processors.

¹ For ADSP-BF52xC compatibility, connect this ball to V_{DDEXT}.

Figure 72 shows the top view of the BC-289-2 CSP_BGA ball configuration. Figure 73 shows the bottom view of the BC-289-2 CSP_BGA ball configuration.

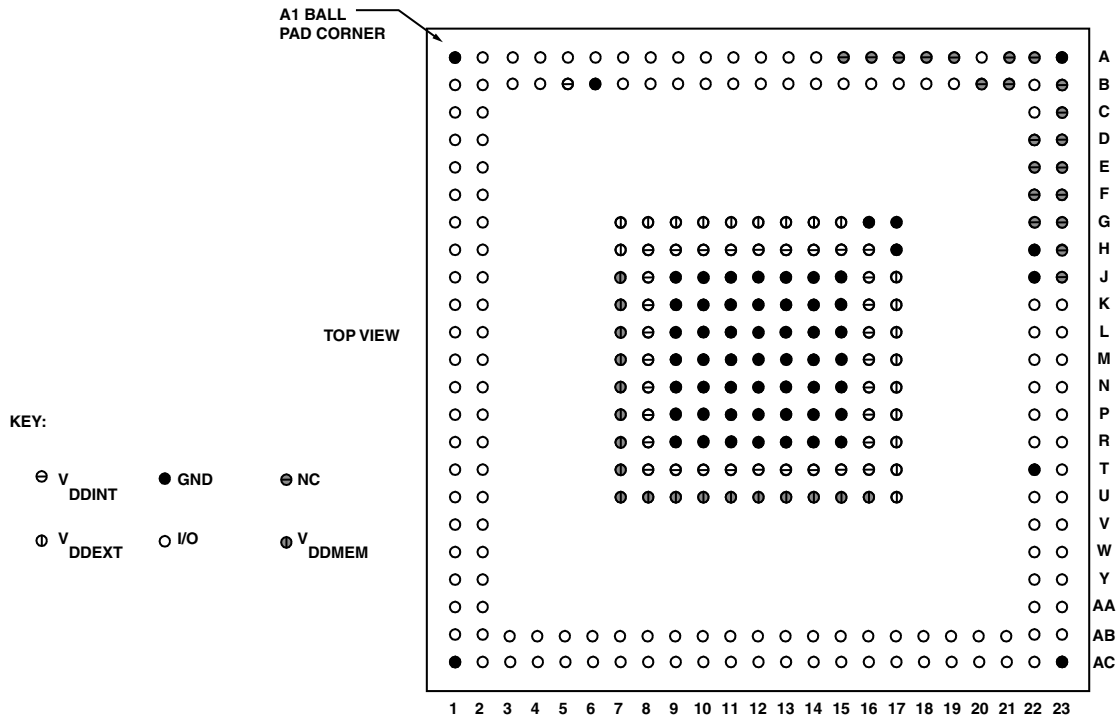


Figure 72. 289-Ball CSP_BGA Ball Configuration (Top View)

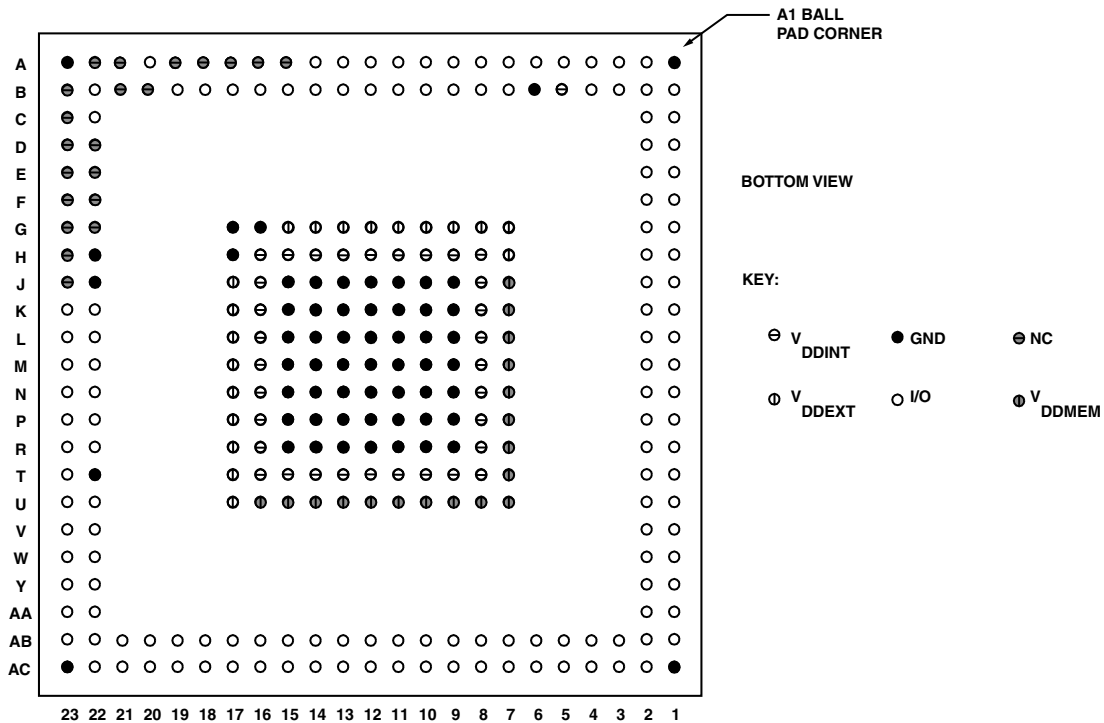


Figure 73. 289-Ball CSP_BGA Ball Configuration (Bottom View)

208-BALL CSP_BGA BALL ASSIGNMENT

Table 61 lists the CSP_BGA balls by signal mnemonic.

Table 62 on Page 76 lists the CSP_BGA by ball number.

Table 61. 208-Ball CSP_BGA Ball Assignment (Alphabetically by Signal)

Signal	Ball No.	Signal	Ball No.	Signal	Ball No.	Signal	Ball No.	Signal	Ball No.	Signal	Ball No.
$\overline{ABE0}/SDQM0$	V19	DATA2	Y7	GND	L12	PG6	M2	SS/\overline{PG}	G19	V_{DDINT}	P14
$\overline{ABE1}/SDQM1$	V20	DATA3	W7	GND	L13	PG7	L1	\overline{SWE}	T20	V_{DDMEM}	L8
ADDR01	W20	DATA4	Y6	GND	M9	PG8	L2	TCK	V2	V_{DDMEM}	M7
ADDR02	W19	DATA5	W6	GND	M10	PG9	K1	TDI	R1	V_{DDMEM}	M8
ADDR03	Y19	DATA6	Y5	GND	M11	PG10	K2	TDO	T1	V_{DDMEM}	N7
ADDR04	W18	DATA7	W5	GND	M12	PG11	J1	TMS	U2	V_{DDMEM}	N8
ADDR05	Y18	DATA8	Y4	GND	M13	PG12	J2	TRST	U1	V_{DDMEM}	P7
ADDR06	W17	DATA9	W4	GND	N9	PG13	H1	USB_DM	F20	V_{DDMEM}	P8
ADDR07	Y17	DATA10	Y3	GND	N10	PG14	H2	USB_DP	E20	V_{DDMEM}	P9
ADDR08	W16	DATA11	W3	GND	N11	PG15	G1	USB_ID	C20	V_{DDMEM}	P10
ADDR09	Y16	DATA12	Y2	GND	N12	PH0	A7	USB_RSET	D20	V_{DDMEM}	P11
ADDR10	W15	DATA13	W2	GND	N13	PH1	B7	USB_VBUS	E19	V_{DDOTP}	R20
ADDR11	Y15	DATA14	W1	GND	Y1	PH2	A8	USB_VREF	H19	V_{DDRTC}	A16
ADDR12	W14	DATA15	V1	GND	Y20	PH3	B8	USB_XI	A19	V_{DDUSB}	D19
ADDR13	Y14	EMU	T2	\overline{NMI}	B19	PH4	A9	USB_XO	A18	V_{DDUSB}	G20
ADDR14	W13	EXT_WAKE0	J20	VPPOTP	L19	PH5	B9	V_{DDEXT}	G7	$VR_{OUT}/\mathbf{EXT_WAKE1}$	H20
ADDR15	Y13	GND	A1	PF0	F1	PH6	B10	V_{DDEXT}	G8	VR_{SEL}/V_{DDEXT}	F19
ADDR16	W12	GND	A17	PF1	E1	PH7	B11	V_{DDEXT}	G9	XTAL	A10
ADDR17	Y12	GND	A20	PF2	E2	PH8	A12	V_{DDEXT}	G10		
ADDR18	W11	GND	B20	PF3	D1	PH9	B12	V_{DDEXT}	G11		
ADDR19	Y11	GND	H9	PF4	D2	PH10	A13	V_{DDEXT}	H7		
$\overline{AMS0}$	J19	GND	H10	PF5	C1	PH11	B13	V_{DDEXT}	H8		
$\overline{AMS1}$	K19	GND	H11	PF6	C2	PH12	B14	V_{DDEXT}	J7		
$\overline{AMS2}$	M19	GND	H12	PF7	B1	PH13	B15	V_{DDEXT}	J8		
$\overline{AMS3}$	L20	GND	H13	PF8	B2	PH14	B16	V_{DDEXT}	K7		
\overline{AOE}	N20	GND	J9	PF9	A2	PH15	B17	V_{DDEXT}	K8		
ARDY	P19	GND	J10	PF10	B3	PPI_CLK/TMRCLK	G2	V_{DDEXT}	L7		
\overline{ARE}	M20	GND	J11	PF11	A3	PPI_FS1/TMR0	F2	V_{DDINT}	G12		
\overline{AWE}	N19	GND	J12	PF12	B5	\overline{RESET}	B18	V_{DDINT}	G13		
BMODE0	Y10	GND	J13	PF13	A5	RTXI	A14	V_{DDINT}	G14		
BMODE1	W10	GND	K9	PF14	B6	RTXO	A15	V_{DDINT}	H14		
BMODE2	Y9	GND	K10	PF15	A6	SA10	U19	V_{DDINT}	J14		
BMODE3	W9	GND	K11	PG0	R2	\overline{SCAS}	U20	V_{DDINT}	K14		
CLKBUF	C19	GND	K12	PG1	P1	SCKE	P20	V_{DDINT}	L14		
CLKIN	A11	GND	K13	PG2	P2	SCL	A4	V_{DDINT}	M14		
CLKOUT	K20	GND	L9	PG3	N1	SDA	B4	V_{DDINT}	N14		
DATA0	Y8	GND	L10	PG4	N2	\overline{SMS}	R19	V_{DDINT}	P12		
DATA1	W8	GND	L11	PG5	M1	\overline{SRAS}	T19	V_{DDINT}	P13		

NOTE: In this table, **BOLD TYPE** indicates the sole signal/function for that ball on ADSP-BF522/524/526 processors.

Table 62. 208-Ball CSP_BGA Ball Assignment (Numerically by Ball Number)

Ball No.	Signal	Ball No.	Signal	Ball No.	Signal	Ball No.	Signal	Ball No.	Signal
A1	GND	B19	NMI	H13	GND	L19	VPPOTP	R1	TDI
A2	PF9	B20	GND	H14	V _{DDINT}	L20	AMS3	R2	PG0
A3	PF11	C1	PF5	H19	USB_VREF	M1	PG5	R19	SM5
A4	SCL	C2	PF6	H20	VR _{OUT} /EXT_WAKE1	M2	PG6	R20	V _{DDOTP}
A5	PF13	C19	CLKBUF	J1	PG11	M7	V _{DDMEM}	T1	TDO
A6	PF15	C20	USB_ID	J2	PG12	M8	V _{DDMEM}	T2	EMU
A7	PH0	D1	PF3	J7	V _{DDEXT}	M9	GND	T19	SRAS
A8	PH2	D2	PF4	J8	V _{DDEXT}	M10	GND	T20	SWE
A9	PH4	D19	V _{DDUSB}	J9	GND	M11	GND	U1	TRST
A10	XTAL	D20	USB_RSET	J10	GND	M12	GND	U2	TMS
A11	CLKIN	E1	PF1	J11	GND	M13	GND	U19	SA10
A12	PH8	E2	PF2	J12	GND	M14	V _{DDINT}	U20	SCAS
A13	PH10	E19	USB_VBUS	J13	GND	M19	AMS2	V1	DATA15
A14	RTXI	E20	USB_DP	J14	V _{DDINT}	M20	ARE	V2	TCK
A15	RTXO	F1	PF0	J19	AMS0	N1	PG3	V19	ABE0/SDQM0
A16	V _{DDRTC}	F2	PPI_FS1/TMR0	J20	EXT_WAKE0	N2	PG4	V20	ABE1/SDQM1
A17	GND	F19	VR _{SEL} /V _{DDEXT}	K1	PG9	N7	V _{DDMEM}	W1	DATA14
A18	USB_XO	F20	USB_DM	K2	PG10	N8	V _{DDMEM}	W2	DATA13
A19	USB_XI	G1	PG15	K7	V _{DDEXT}	N9	GND	W3	DATA11
A20	GND	G2	PPI_CLK/TMRCLK	K8	V _{DDEXT}	N10	GND	W4	DATA9
B1	PF7	G7	V _{DDEXT}	K9	GND	N11	GND	W5	DATA7
B2	PF8	G8	V _{DDEXT}	K10	GND	N12	GND	W6	DATA5
B3	PF10	G9	V _{DDEXT}	K11	GND	N13	GND	W7	DATA3
B4	SDA	G10	V _{DDEXT}	K12	GND	N14	V _{DDINT}	W8	DATA1
B5	PF12	G11	V _{DDEXT}	K13	GND	N19	AWE	W9	BMODE3
B6	PF14	G12	V _{DDINT}	K14	V _{DDINT}	N20	AOE	W10	BMODE1
B7	PH1	G13	V _{DDINT}	K19	AMST	P1	PG1	W11	ADDR18
B8	PH3	G14	V _{DDINT}	K20	CLKOUT	P2	PG2	W12	ADDR16
B9	PH5	G19	SS/PG	L1	PG7	P7	V _{DDMEM}	W13	ADDR14
B10	PH6	G20	V _{DDUSB}	L2	PG8	P8	V _{DDMEM}	W14	ADDR12
B11	PH7	H1	PG13	L7	V _{DDEXT}	P9	V _{DDMEM}	W15	ADDR10
B12	PH9	H2	PG14	L8	V _{DDMEM}	P10	V _{DDMEM}	W16	ADDR8
B13	PH11	H7	V _{DDEXT}	L9	GND	P11	V _{DDMEM}	W17	ADDR6
B14	PH12	H8	V _{DDEXT}	L10	GND	P12	V _{DDINT}	W18	ADDR4
B15	PH13	H9	GND	L11	GND	P13	V _{DDINT}	W19	ADDR2
B16	PH14	H10	GND	L12	GND	P14	V _{DDINT}	W20	ADDR1
B17	PH15	H11	GND	L13	GND	P19	ARDY	Y1	GND
B18	RESET	H12	GND	L14	V _{DDINT}	P20	SCKE	Y2	DATA12

NOTE: In this table, **BOLD TYPE** indicates the sole signal/function for that ball on ADSP-BF522/524/526 processors.

Figure 74 shows the top view of the CSP_BGA ball configuration. Figure 75 shows the bottom view of the CSP_BGA ball configuration.

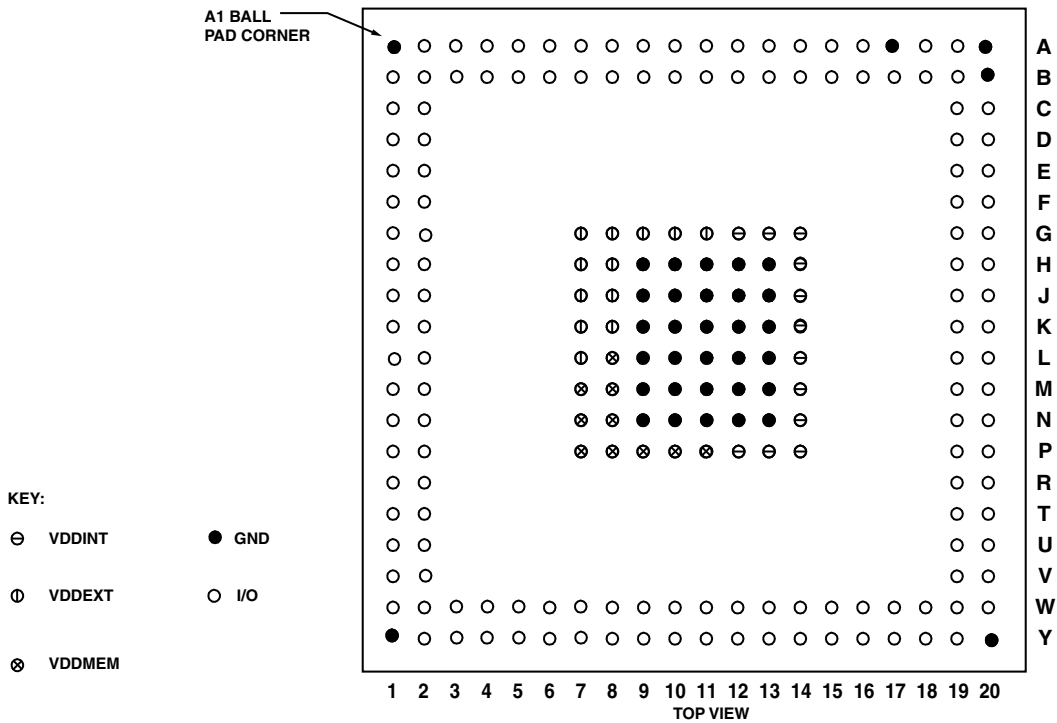


Figure 74. 208-Ball CSP_BGA Ball Configuration (Top View)

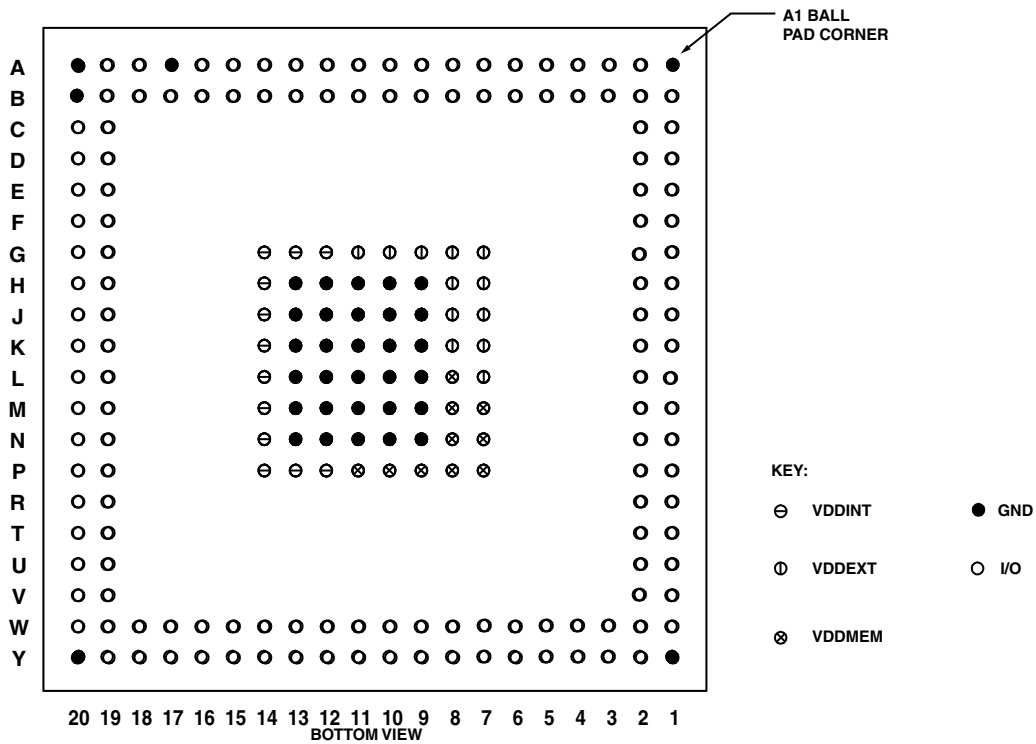


Figure 75. 208-Ball CSP_BGA Ball Configuration (Bottom View)

OUTLINE DIMENSIONS

Dimensions in Figure 76, 289-Ball CSP_BGA (BC-289-2) are shown in millimeters.

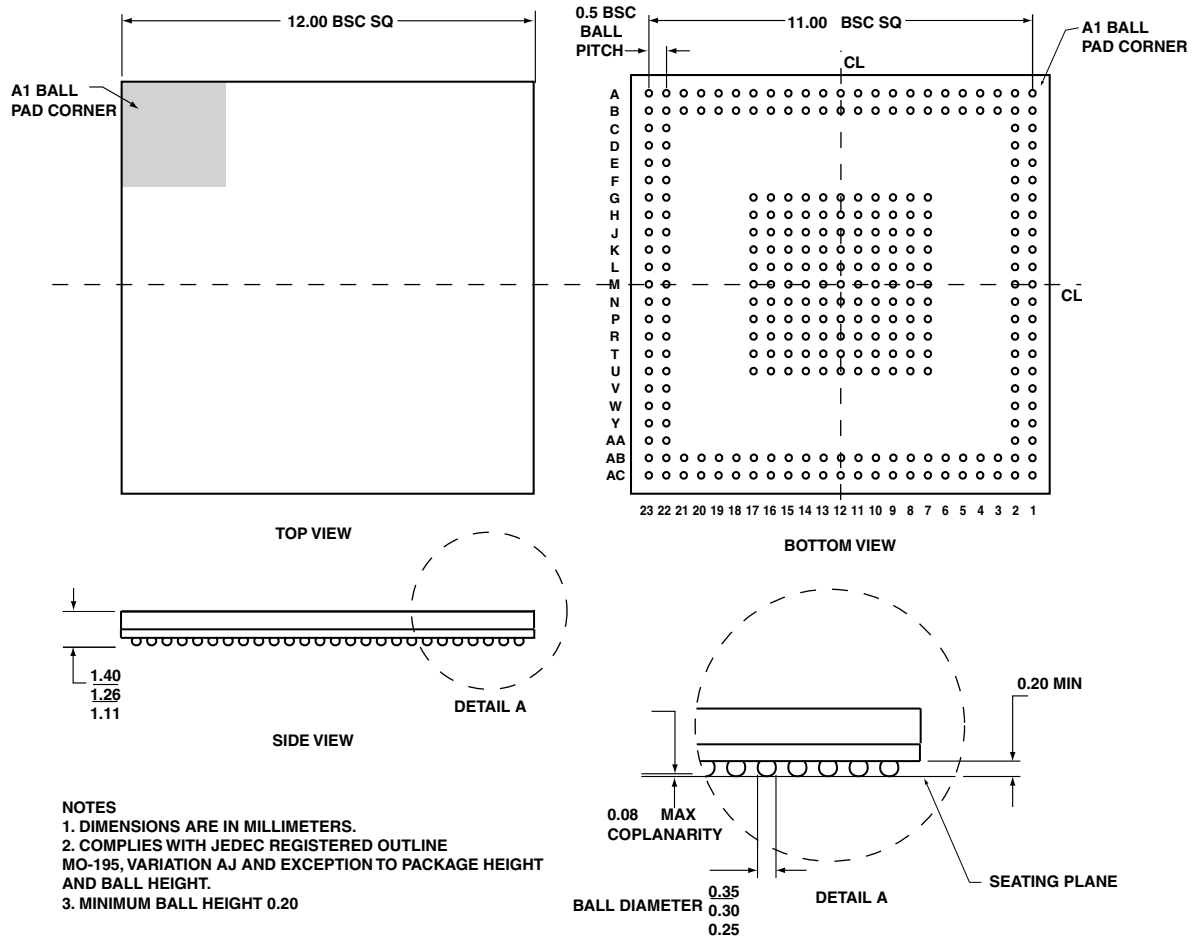
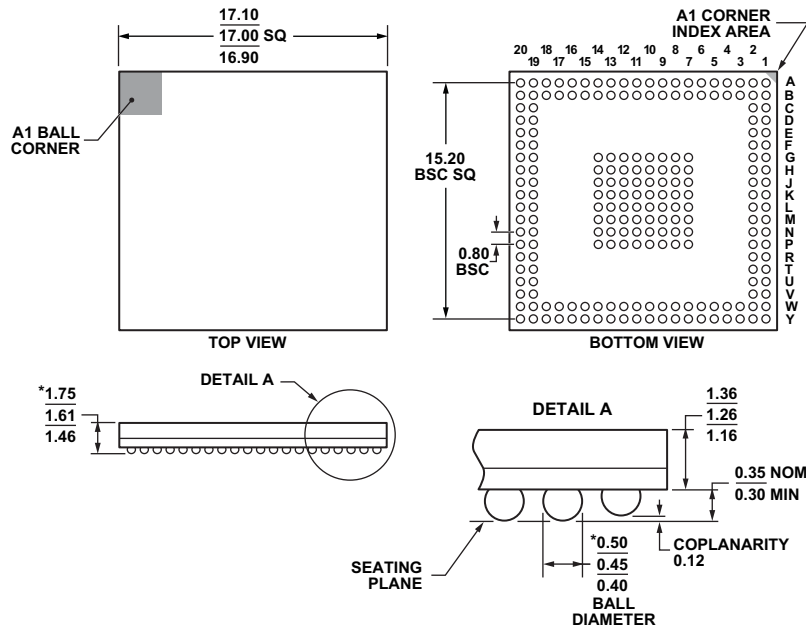


Figure 76. 289-Ball CSP_BGA (BC-289-2)



*COMPLIANT TO JEDEC STANDARDS MO-205-AM WITH EXCEPTION TO PACKAGE HEIGHT AND BALL DIAMETER.

Figure 77. 208-Ball CSP_BGA (BC-208-2)

SURFACE MOUNT DESIGN

Table 63 is provided as an aide to PCB design. For industry-standard design recommendations, refer to IPC-7351, Generic Requirements for Surface Mount Design and Land Pattern Standard.

Table 63. Surface Mount Design Supplement

Package	Ball Attach Type	Solder Mask Opening	Ball Pad Size
289-Ball CSP_BGA	Solder Mask Defined	0.26 mm diameter	0.35 mm diameter
208-Ball CSP_BGA	Solder Mask Defined	0.40 mm diameter	0.50 mm diameter

ORDERING GUIDE

Table 64. ADSP-BF523/525/527 Processors

Model	Temperature Range ¹	Package Description	Package Option	Instruction Rate (Max)	Operating Voltage (Nom)
ADSP-BF523KBCZ-6	0°C to +70°C	289-Ball Chip Scale Package Ball Grid Array (CSP_BGA)	BC-289-2	600 MHz	1.2 V internal ² , 1.8 V, 2.5 V, or 3.3 V I/O
ADSP-BF523KBCZ-5	0°C to +70°C	289-Ball Chip Scale Package Ball Grid Array (CSP_BGA)	BC-289-2	533 MHz	1.15 V internal ² , 1.8 V, 2.5 V, or 3.3 V I/O
ADSP-BF525KBCZ-6	0°C to +70°C	289-Ball Chip Scale Package Ball Grid Array (CSP_BGA)	BC-289-2	600 MHz	1.2 V internal ² , 1.8 V, 2.5 V, or 3.3 V I/O
ADSP-BF525KBCZ-5	0°C to +70°C	289-Ball Chip Scale Package Ball Grid Array (CSP_BGA)	BC-289-2	533 MHz	1.15 V internal ² , 1.8 V, 2.5 V, or 3.3 V I/O
ADSP-BF527KBCZ-6	0°C to +70°C	289-Ball Chip Scale Package Ball Grid Array (CSP_BGA)	BC-289-2	600 MHz	1.2 V internal ² , 1.8 V, 2.5 V, or 3.3 V I/O
ADSP-BF527KBCZ-5	0°C to +70°C	289-Ball Chip Scale Package Ball Grid Array (CSP_BGA)	BC-289-2	533 MHz	1.15 V internal ² , 1.8 V, 2.5 V, or 3.3 V I/O
ADSP-BF523KBCZ-6A	0°C to +70°C	208-Ball Chip Scale Package Ball Grid Array (CSP_BGA)	BC-208-2	600 MHz	1.2 V internal ² , 1.8 V, 2.5 V, or 3.3 V I/O
ADSP-BF523BBCZ-5A	-40°C to +85°C	208-Ball Chip Scale Package Ball Grid Array (CSP_BGA)	BC-208-2	533 MHz	1.15 V internal ² , 1.8 V, 2.5 V, or 3.3 V I/O
ADSP-BF525KBCZ-6A	0°C to +70°C	208-Ball Chip Scale Package Ball Grid Array (CSP_BGA)	BC-208-2	600 MHz	1.2 V internal ² , 1.8 V, 2.5 V, or 3.3 V I/O
ADSP-BF525BBCZ-5A	-40°C to +85°C	208-Ball Chip Scale Package Ball Grid Array (CSP_BGA)	BC-208-2	533 MHz	1.15 V internal ² , 1.8 V, 2.5 V, or 3.3 V I/O
ADSP-BF527KBCZ-6A	0°C to +70°C	208-Ball Chip Scale Package Ball Grid Array (CSP_BGA)	BC-208-2	600 MHz	1.2 V internal ² , 1.8 V, 2.5 V, or 3.3 V I/O
ADSP-BF527BBCZ-5A	-40°C to +85°C	208-Ball Chip Scale Package Ball Grid Array (CSP_BGA)	BC-208-2	533 MHz	1.15 V internal ² , 1.8 V, 2.5 V, or 3.3 V I/O

¹ Referenced temperature is ambient temperature.

² This is the nominal voltage required to run at the nominal instruction rate. Lesser frequencies may require lower operating voltages. Please see Table 12 and Table 15 for details.

Table 65. ADSP-BF522/524/526 Processors

Model	Temperature Range ¹	Package Description	Package Option	Instruction Rate (Max)	Operating Voltage (Nom)
ADSP-BF526KBCZ-4X	0°C to +70°C	289-Ball Chip Scale Package Ball Grid Array (CSP_BGA)	BC-289-2	400 MHz	tbd V internal, 1.8 V, 2.5 V, or 3.3 V I/O
ADSP-BF526BBCZ-4AX	-40°C to +85°C	208-Ball Chip Scale Package Ball Grid Array (CSP_BGA)	BC-208-2	400 MHz	tbd V internal, 1.8 V, 2.5 V, or 3.3 V I/O
ADSP-BF526BBCZ-3AX	-40°C to +85°C	208-Ball Chip Scale Package Ball Grid Array (CSP_BGA)	BC-208-2	300 MHz	tbd V internal, 1.8 V, 2.5 V, or 3.3 V I/O

¹ Referenced temperature is ambient temperature.