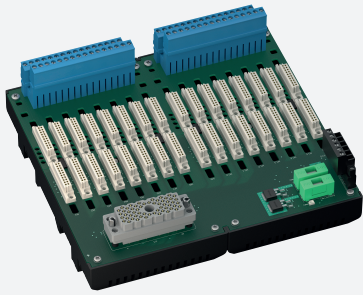


Termination Board

HiCTB16-TRX-RAC-PL-DI32



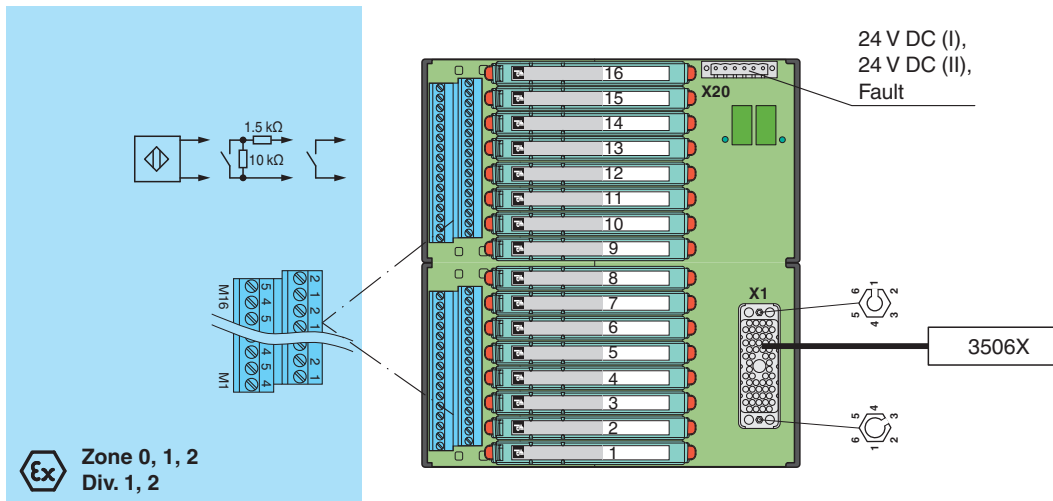
- System board for Schneider Electric, Tricon CX series by Triconex
- For 32-channel DI card 3506X
- For 16 modules
- 24 V DC supply
- Recommended modules: HiC2822 (DI), HiC2842 (DI)
- Hazardous area: pluggable screw terminals, blue
- Non-hazardous area: ELCO socket, 56-pin



Function

The function of the termination board and the system connector pin assignment is exactly fitted to the requirements of the Triconex Tricon CX system.
 The signal is output to the process control system via the system connector.
 Information about missing supply voltage of the isolated barriers is available for the system at the volt-free transistor output.
 Wiring faults from the field side will be reported via the volt-free transistor output, if this function is supported by the isolators.
 The termination board has a robust glass fiber reinforced plastic housing.
 The termination board is mounted in the switch cabinet on a 35 mm DIN mounting rail according to EN 60175.

Connection



Ex Zone 0, 1, 2
Div. 1, 2

Technical Data

Supply	
Connection	X20: terminals 3, 5(+); 4, 6(-)
Nominal voltage	24 V DC , in consideration of rated voltage of used isolators
Voltage drop	0.9 V , voltage drop across the series diode on the termination board must be considered
Ripple	≤ 10 %
Fusing	4 A , in each case for 16 modules
Power dissipation	≤ 500 mW , without modules
Reverse polarity protection	yes
Redundancy	

Release date: 2021-01-25 Date of issue: 2021-01-25 Filename: 70127426_eng.pdf

Refer to "General Notes Relating to Pepperl+Fuchs Product Information".

Pepperl+Fuchs Group
www.pepperl-fuchs.com

USA: +1 330 486 0002
pa-info@us.pepperl-fuchs.com

Germany: +49 621 776 2222
pa-info@de.pepperl-fuchs.com

Singapore: +65 6779 9091
pa-info@sg.pepperl-fuchs.com


PEPPERL+FUCHS

Technical Data

Supply	Redundancy available. The supply for the isolators is decoupled, monitored and fused.	
Fault indication output		
Connection	X20: terminals 1(+), 2(-)	
Output type	volt-free transistor output , not short-circuit protected , not overload protected	
Rated voltage	U_r	30 V DC
Rated current	I_r	100 mA
Signal level	no fault: (external voltage) - 1 V max. for 100 mA ($T_{amb} = 25\text{ °C}$ (77 °F)) power supply fault/module fault: blocked output (off-state current $\leq 10\text{ }\mu\text{A}$)	
Indicators/settings		
Display elements	LED PWR1 (termination board power supply), green LED LED PWR2 (termination board power supply), green LED	
Directive conformity		
Electromagnetic compatibility		
Directive 2014/30/EU	EN 61326-1:2013 (industrial locations)	
Conformity		
Electromagnetic compatibility		
	NE 21:2017 For further information see system description.	
Degree of protection	IEC 60529:2001	
Ambient conditions		
Ambient temperature	-20 ... 60 °C (-4 ... 140 °F)	
Storage temperature	-40 ... 85 °C (-40 ... 185 °F)	
Mechanical specifications		
Degree of protection	IP20	
Connection		
Field side	explosion hazardous area: 4 screw terminals per module , blue	
Control side	non-explosion hazardous area: ELCO socket, 56-pin	
Supply	pluggable screw terminals , black	
Fault output	pluggable screw terminals , black	
Core cross-section	screw terminals 0.25 ... 2.5 mm ² (24 ... 12 AWG)	
Material	housing: polycarbonate, 10 % glass fiber reinforced	
Mass	approx. 775 g	
Dimensions	216 x 200 x 163 mm (8.5 x 7.9 x 6.42 inch) , height including module assembly	
Mounting	on 35 mm DIN mounting rail acc. to EN 60715:2001	
Data for application in connection with hazardous areas		
EU-type examination certificate	CESI 06 ATEX 022	
Marking	⊕ II (1)G [Ex ia Ga] IIC ⊕ II (1)D [Ex ia Da] IIIC ⊕ I (M1) [Ex ia Ma] I	
Non-hazardous area		
Maximum safe voltage	250 V (Attention! U_m is no rated voltage.)	
Galvanic isolation		
Field circuit/control circuit	safe electrical isolation acc. to IEC/EN 60079-11, voltage peak value 375 V	
Directive conformity		
Directive 2014/34/EU	EN IEC 60079-0:2018 , EN 60079-11:2012 , EN 50303:2000	
International approvals		
UL approval	E106378	
Control drawing	116-0327	
IECEx approval		
IECEx certificate	IECEx CES 06.0003	
IECEx marking	[Ex ia Ga] IIC [Ex ia Da] IIIC [Ex ia Ma] I	
General information		
Supplementary information	Observe the certificates, declarations of conformity, instruction manuals, and manuals where applicable. For information see www.pepperl-fuchs.com .	

Release date: 2021-01-25 Date of issue: 2021-01-25 Filename: 70127426_eng.pdf

Accessories

	HiALC-HICTB-SET-108	Label carriers for HiC termination boards
---	----------------------------	---

Release date: 2021-01-25 Date of issue: 2021-01-25 Filename: 70127426_eng.pdf

Refer to "General Notes Relating to Pepperl+Fuchs Product Information".

Pepperl+Fuchs Group
www.pepperl-fuchs.com

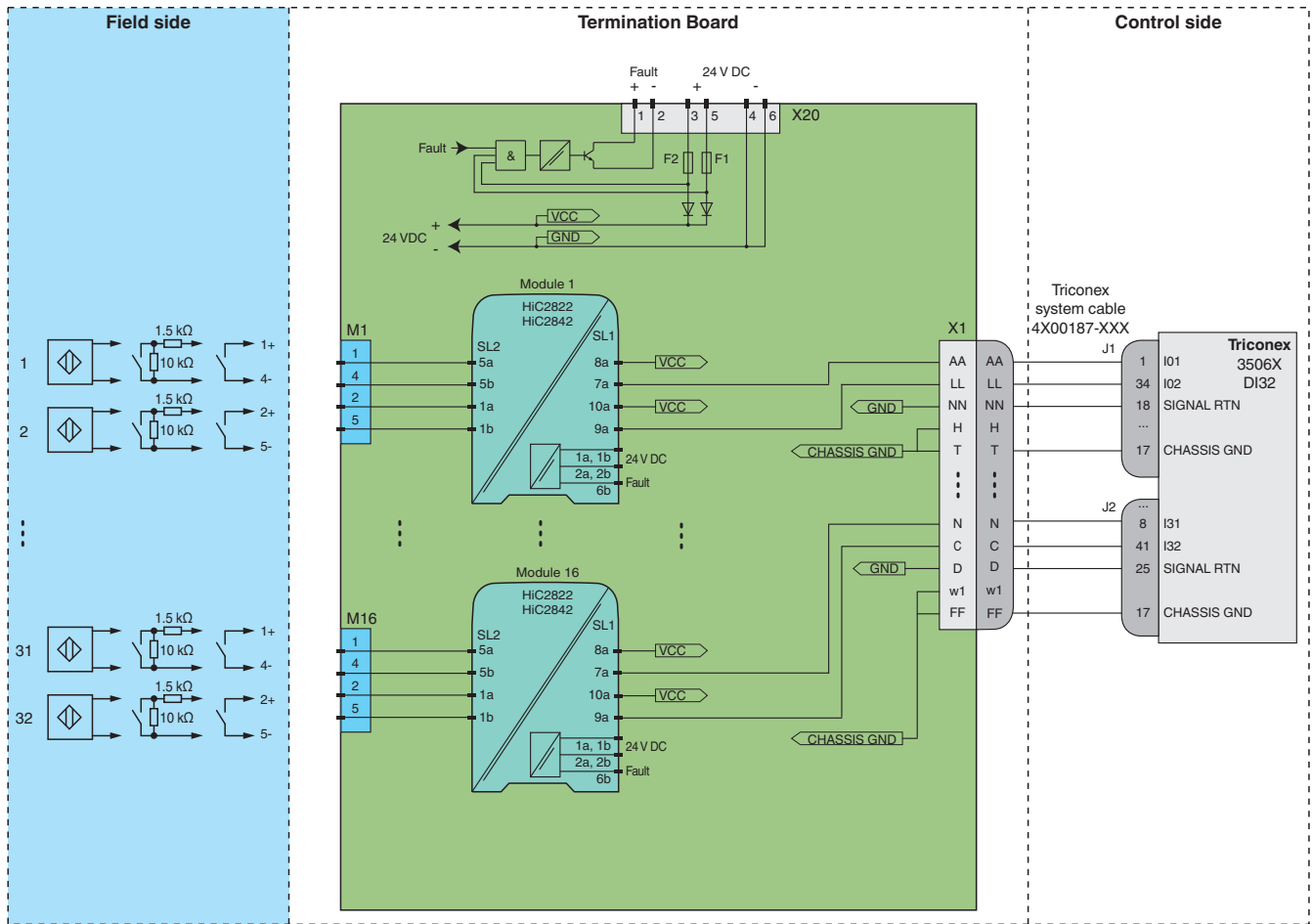
USA: +1 330 486 0002
pa-info@us.pepperl-fuchs.com

Germany: +49 621 776 2222
pa-info@de.pepperl-fuchs.com

Singapore: +65 6779 9091
pa-info@sg.pepperl-fuchs.com

Application

Typical circuit



Module switch settings

Type (DI)	DIP switch	Position
HiC2822 (DI), HiC2842 (DI)	S1	I
• Mode of operation: open – energized close – de-energized	S2	I
• Input line fault detection: enabled	S3	I
	S4	I



For exact pin assignment for field side and control side see the documentation of the isolated barrier.



The pin-out configuration has to be observed. For information see corresponding pin-out table on www.pepperl-fuchs.com.

Release date: 2021-01-25 Date of issue: 2021-01-25 Filename: 70127426_eng.pdf