

# Intermediate Screw

## 55 SERIES

- INTERMEDIATE SCREW NON-GROUNDED LAMPHOLDERS
- BLACK POLYESTER HOUSING • 6" WIRE LEADS
- MAXIMUM RATINGS: 75 WATTS, 250 VOLTS
- UL RECOGNIZED • UL FILE E28536

### Overview

The 55 Series lampholders are constructed with a black polyester housing and two 6" wire leads. Lampholders are non-grounded. Many bracket and mounting options are available. Lampholders are designed for use with intermediate screw lamps.

### Specifications

**Housing:** black polyester.

**Contacts:** brass.

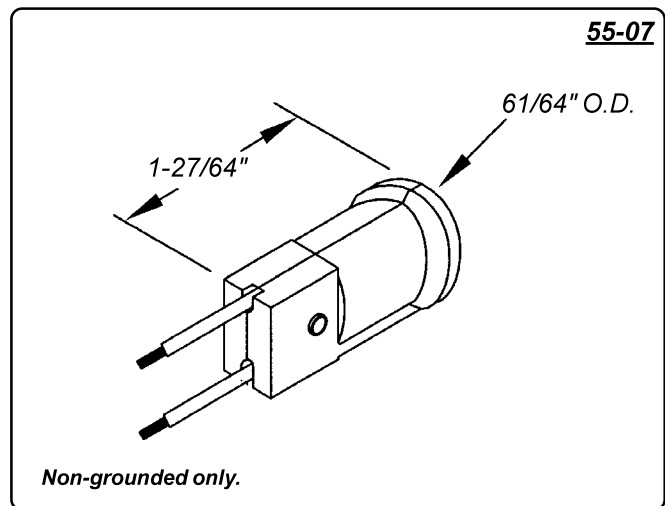
**Wire leads:**

**6" leads:** #18 AWG, black & white, bare copper, PVC insulated, UL/CSA rated 105°C, stripped 1/2". Non-grounded units are supplied with two 6" wire leads. Custom wire lengths, stripping, termination and wire types are also available.

**Mounting:**

**Brackets:** .025" to .042" zinc plated steel. Custom brackets and plating types are available.

**Maximum rating:** 75 Watts, 250 Volts.



### Can't find it here? We have many more standard and custom solutions

The items in this product sheets are only a small representative sample of the complete VCC product line. We manufacture many additional products which are not shown in this product sheet due to space constraints.

Custom products can also be designed uniquely for you by our Technical Support Professionals. Starting from your ideas and specifications, we work with your personnel to develop timely and cost effective solutions for your miniature lighting needs.

VCC Technical Support Services are provided without charge and may include designs, prototypes and pre-production samples.

**For further information, phone Customer Service at 800.522.5546.**

# Intermediate Screw

## 55 SERIES

UL Recognized

Maximum Rating: 75 Watts, 250 Volts

Black Polyester Housing

6" Wire Leads

Non-Grounded

