

# O/E/N 35H

## HEAVY DUTY AUTOMOTIVE POWER RELAY

### FEATURES

- Direct PCB Mountable
- Cost Effective
- Suitable for various loads
- Miniature Size
- Heavy Duty

### APPLICATION

- Direction Indicators
- Air-Conditioning Systems
- Wiper Controls
- Head Lamp Control
- Starter Motors
- Ventilation Motors

### TECHNICAL DATA FOR CONTACT SIDE :

Model	35HA	35HB
<b>Areas of Application</b>	<b>RESISTIVE / INDUCTIVE LOAD</b>	<b>HEAD LAMP / CAPACITIVE LOADS</b>
Contact Configuration	1A	1A
Contact Material	Silver Cadmium Oxide	Silver Tin Oxide
Contact Rating at 23°C - 12VDC	40A (Res.)	40A (Lamp)
24VDC	20A (Res.)	20A (Lamp)
Electrical Life Operations Min.	1 x 10 <sup>5</sup>	1 x 10 <sup>5</sup>
Mechanical Life Operations Min.	1 x 10 <sup>7</sup>	1 x 10 <sup>7</sup>
Contact Voltage Drop at 10 A (Min)	60mV	60mV
Maximum Switching Current @ 12.8 VDC For 3 Sec.	150A	150A

### GENERAL DATA FOR COIL SIDE

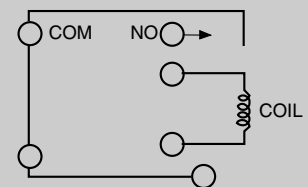
Nominal Coil Power	: 1.6W (Approx)
Operating Power	: 0.9W (Approx)
Operate Time*	: 10 milli Seconds
Release Time*	: 5 milli Seconds

\* At nominal voltage without coil suppression (excluding bounce)

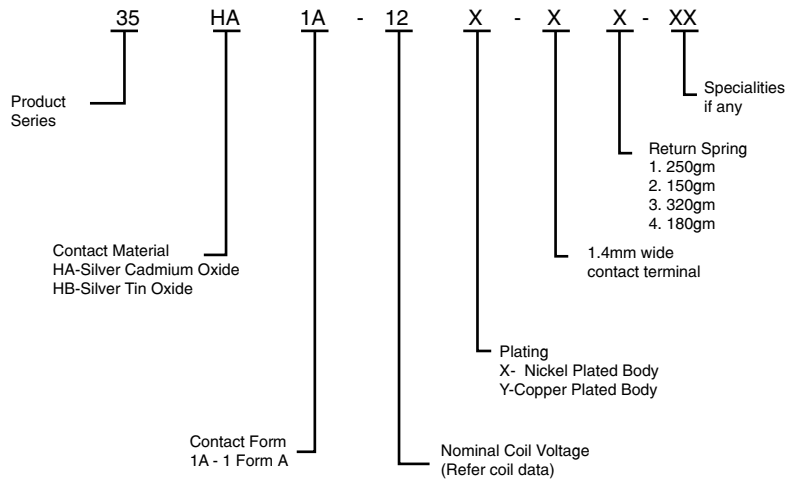
### OPERATING CONDITIONS

Ambient Temperature	: -40°C to +85°C
Maximum Temperature	: 155°C
Dielectric Strength	: 500VRMS
Insulation Resistance	: 100 Meg. Ohms Min. At 500 VDC, 25°C RH 50
Vibration Resistance (with out change in the switching state > 10μS)	: 10-100Hz 20 - 40g
Shock Resistance (with out change in the switching state > 10μS)	: 30g, 8mS

### CIRCUIT DIAGRAM



## HOW TO ORDER

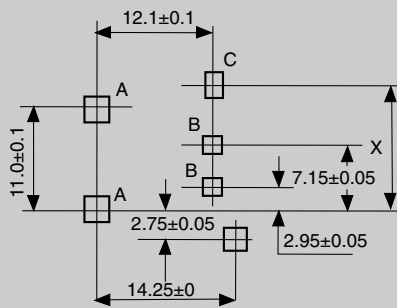


## COIL DATA

Nominal Voltage VDC	**Pick-up Voltage VDC (Max)	Drop-out Voltage VDC (Min)	Coil Resistance Ohms $\pm 10\%$
6	5	0.6	35
9	7	0.9	55
12	9	1.2	88
18	14	1.8	260
24	18	2.4	400
48	36	4.8	1700

\*\*Lower pick-up Voltages available on request

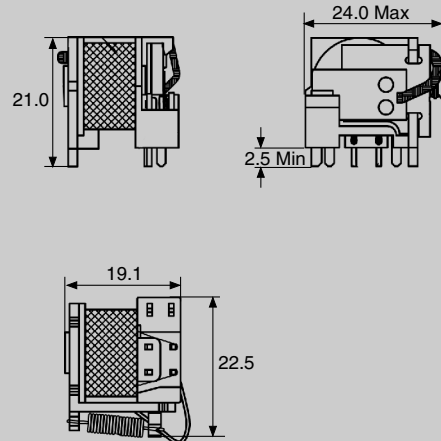
## DRILLING PATTERN



DIM - X	SLOT - A	SLOT - B	SLOT - C
13.15±0.1	1.7±0.1 SQ	1.1±0.1 SQ	2±0.1 x 1.1±0.1

Note:  
For holes in place of slots use  $\varnothing 2.3$  holes instead of slots A &  $\varnothing 1.3$  holes instead of slots B &  $\varnothing 2.1$  holes instead of slots C

## DIMENSIONS



## AVAILABLE ON REQUEST

- Special coil resistance & pick-up
- Extra Braided wire
- High Temperature winding wire
- For other custom solutions consult factory