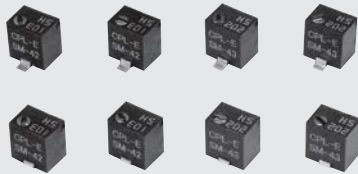


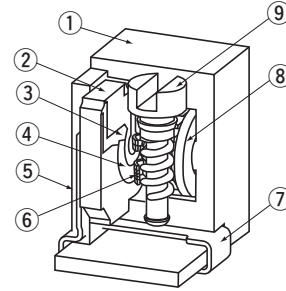
**RoHS compliant**



**FEATURES**

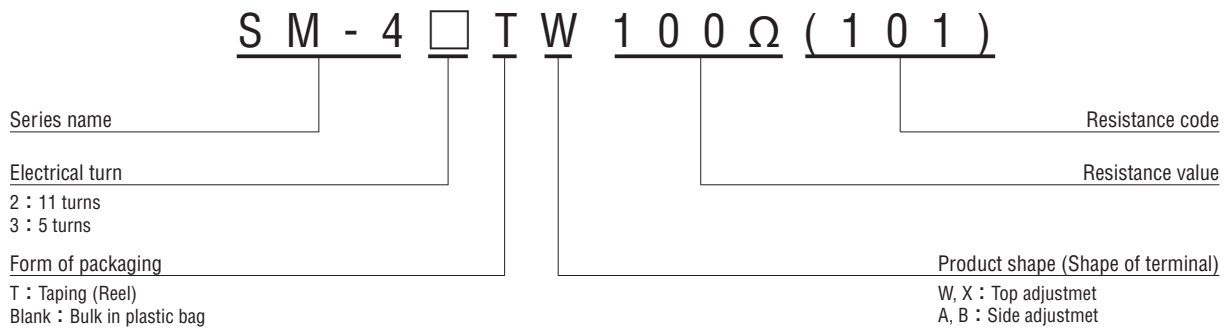
- RoHS compliant
- Fine adjustment is available
- Automatic mounting is available (Taping)
- Reflow soldering is available
- Sealed construction (Washable: Refer to page 750.)

**INTERNAL STRUCTURE**



	Part name	Material	Flammability
①	Housing	Polyphenylenesulphide	UL94V-0
②	Base element	Ceramic	—
③	Electrode	Ag-Pd cermet	
④	Resistive element	RuO <sub>2</sub> cermet	
⑤	Adhesive	Epoxy	
⑥	Wiper	Multi metal alloy	
⑦	Terminal pin	Copper alloy, Sn-Cu-plated	
⑧	Rotor gear	Polyamide	UL94V-0
⑨	Shaft	Brass, Nickel-plated	—

**PART NUMBER DESIGNATION**



※Please refer to the LIST OF PART NUMBERS when placing orders.

# SM-42/43

## SURFACE MOUNT TRIMMERS

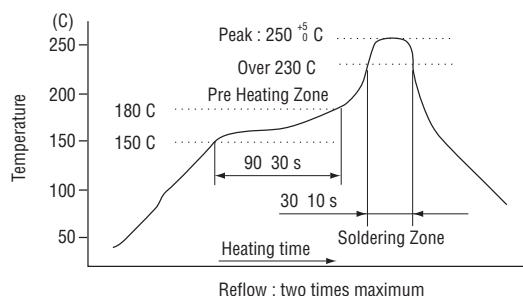
### LIST OF PART NUMBERS

Electrical turn	Adjustment position	Shape of terminal	Form of packaging	
			Taping (reel)	Plastic bag
11	Top adjustment	W (J-hook)	SM-42TW	SM-42W
		X (Gull wing)	SM-42TX	SM-42X
	Side adjustment	A (J-hook)	SM-42TA	SM-42A
		B (Gull wing)	SM-42TB	SM-42B
5	Top adjustment	W (J-hook)	SM-43TW	SM-43W
		X (Gull wing)	SM-43TX	SM-43X
	Side adjustment	A (J-hook)	SM-43TA	SM-43A
		B (Gull wing)	SM-43TB	SM-43B
Pieces in package			TA, TB : 500 pcs./reel TW, TX : 250 pcs./reel	50 pcs./pack

### ELECTRICAL CHARACTERISTICS

Nominal resistance range	10 Ω ~ 2 MΩ
Resistance tolerance	± 10 %
Power ratings	0.25 W (85 °C) 0 W (150 °C)
Resistance law	(B) Linear law
Maximum input voltage	DC300 V or power rating, whichever is smaller
Maximum wiper current	100 mA or power rating, whichever is smaller
Effective electrical turn	11 turns (SM-42), 5 turns (SM-43)
End resistance	1 % or 2 Ω, whichever is greater
C.R.V.	1 % or 3 Ω, whichever is greater
Operating temp. range	-65 ~ 150 °C
Temp. coefficient	±100 10 <sup>-6</sup> /°C maximum
Insulation resistance	100 MΩ minimum (DC500 V)
Dielectric strength	AC600 V, 60 s
Net weight	Approx. 0.17 g

### Reflow profile for soldering heat evaluation



### <Nominal resistance values>

⇒10 Ω	⇒20 Ω	50 Ω	100 Ω	200 Ω	500 Ω	1 kΩ	2 kΩ	5 kΩ
10 kΩ	20 kΩ	50 kΩ	100 kΩ	200 kΩ	500 kΩ	1 MΩ	2 MΩ	

Fig. 1

The products indicated by ⇒ mark are manufactured upon receipt of order basis.

※ The above part numbers are all available with the respective combination of <Nominal resistance values> (Fig. 1).

※ Verify the above part numbers when placing orders.

※ Taping specification is not sold separately and must be purchased in reel units.

### MECHANICAL CHARACTERISTICS

Operating torque	17.6 mN·m (180 gf·cm) maximum
Mechanical stop	Clutch action
Rotational life	200 cycles [ $\Delta R/R \leq \pm (3 \Omega + 3 \%)$ ]
Thrust to shaft	5 N (0.51 kgf) minimum
Solderability	245 ± 3 °C, 2 ~ 3 s
Shear (Adhesion)	5 N (0.51 kgf) 10 s
Substrate bending	Width 90 mm, bend 3 mm, 5 s, 1 time
Pull-off strength	5 N (0.51 kgf) 10 s

{ } : Reference only

### ENVIRONMENTAL CHARACTERISTICS

Test item	Test conditions	Specifications
Thermal shock	-65 ~ 150 °C (0.5 h), 5 cycles	[ $\Delta R/R \leq 2 \%$ ] [ S.S. $\leq 1 \%$ ]
Humidity	-10 ~ 65 °C (80 ~ 98 %), 10 cycles, 240 h	[ $\Delta R/R \leq 2 \%$ ]
Shock	981 m/s <sup>2</sup> , 6 ms 6 directions for 3 times each	[ $\Delta R/R \leq 1 \%$ ] [ S.S. $\leq 1 \%$ ]
Vibration	(Amplitude) 1.52 mm or (Acceleration) 196 m/s <sup>2</sup> , 10 ~ 2000 Hz, 3 directions, 12 times each	[ $\Delta R/R \leq 1 \%$ ] [ S.S. $\leq 1 \%$ ]
Load life	85 °C, 0.25 W, 1000 h	[ $\Delta R/R \leq 3 \%$ or 3 Ω ] [ S.S. $\leq 2 \%$ ]
Low temp. operation	-65 °C, 2 h	[ $\Delta R/R \leq 1 \%$ ] [ S.S. $\leq 1 \%$ ]
High temp. exposure	150 °C, 250 h	[ $\Delta R/R \leq 2 \%$ ] [ S.S. $\leq 1 \%$ ]
Immersion seal	85 °C, 60 s	No leaks (No continuous bubbles)
Soldering heat	Reflow : Peak temperature 255 °C (Please refer to the profile below.) Manual soldering : 350 ± 10 °C, 3 ~ 4 s	[ $\Delta R/R \leq 1 \%$ ]

$\Delta R/R$  : Change in total resistance  
S.S. : Setting stability

# SM-42/43

## SURFACE MOUNT TRIMMERS

### MAXIMUM INPUT RATINGS

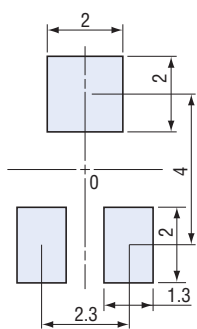
Nominal resistance values ( $\Omega$ )	Resistance code	Maximum input voltage (V)	Maximum wiper current (mA)
↻ 10	100	1.00	100
↻ 20	200	2.00	100
50	500	3.53	70.7
100	101	5.00	50.0
200	201	7.07	35.4
500	501	11.2	22.4
1 k	102	15.8	15.8
2 k	202	22.4	11.2
5 k	502	35.4	7.07
10 k	103	50.0	5.00
20 k	203	70.7	3.54
50 k	503	112	2.24
100 k	104	158	1.58
200 k	204	223	1.12
500 k	504	300	0.60
1 M	105	300	0.30
2 M	205	300	0.15

The products indicated by ↻ mark are manufactured upon receipt of order basis.

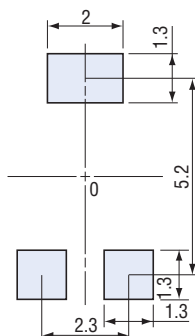
### RECOMMENDED P.C.B. PAD OUTLINE DIMENSIONS

(Unit: mm)

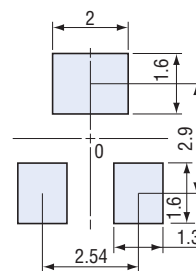
#### ● SM-42/43A



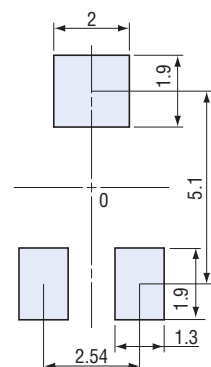
#### ● SM-42/43B



#### ● SM-42/43W



#### ● SM-42/43X



Note) The zero point is the center of mounting.

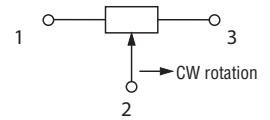
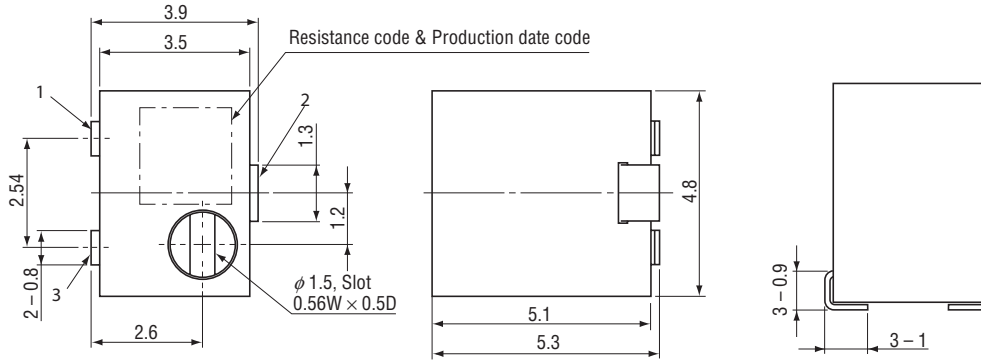
# SM-42/43

## SURFACE MOUNT TRIMMERS

### OUTLINE DIMENSIONS

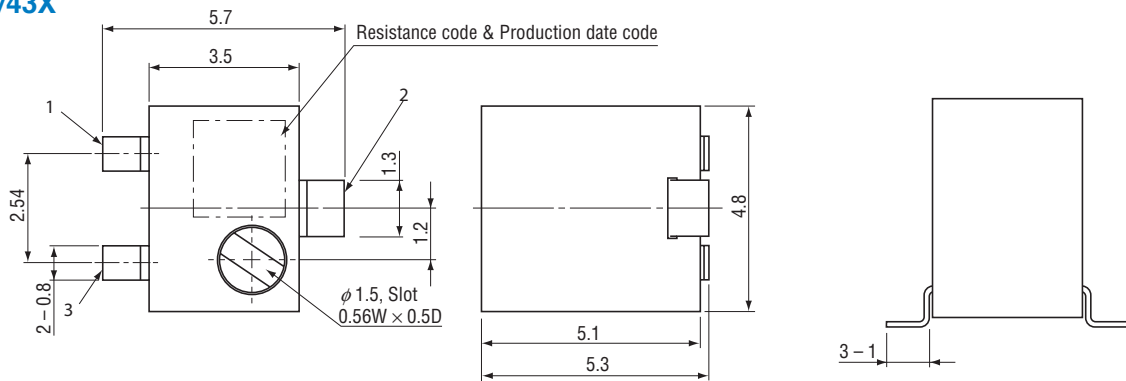
Unless otherwise specified, tolerance :  $\pm 0.3$  (Unit : mm)

#### SM-42/43W

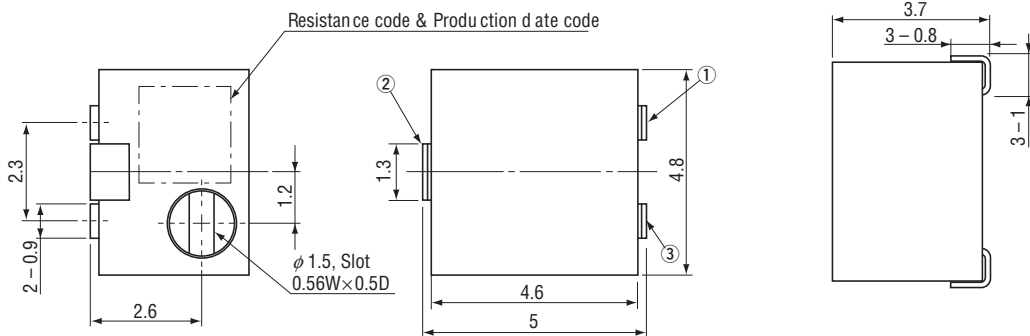


※Note the terminal position.

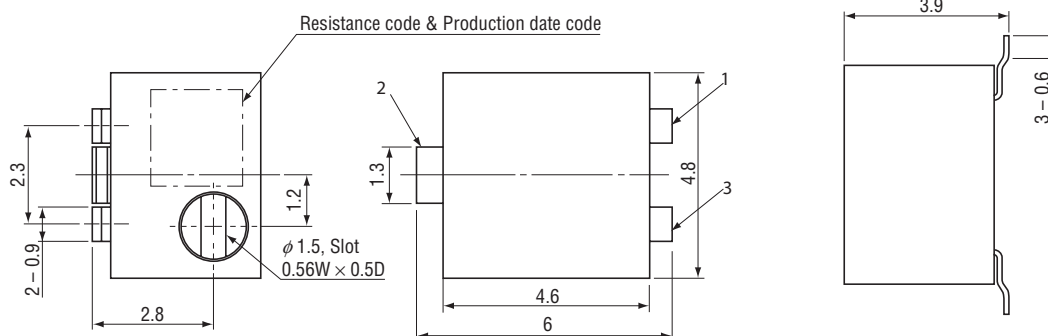
#### SM-42/43X



#### SM-42/43A



#### SM-42/43B



# SM-42/43

## SURFACE MOUNT TRIMMERS

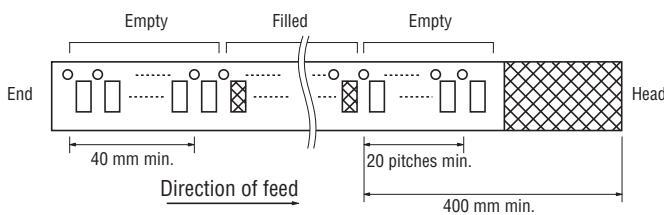
### PACKAGING SPECIFICATIONS

#### <Taping packaging specifications>

- Taping version (SM-42/43TA, TB) is packaged in 500 pcs. per reel.  
Orders will be accepted for units of 500 pcs., i.e., 500, 1000, 1500 pcs., etc.
- SM-42/43TW, TX is packaged in 250 pcs. per reel.  
Orders will be accepted for units of 250 pcs., i.e., 500, 750 pcs., etc.

Maximum number of consecutive missing pieces = 2  
Leader length and reel dimension are shown in the diagrams below.

#### EMBOSED TAPE DIMENSIONS

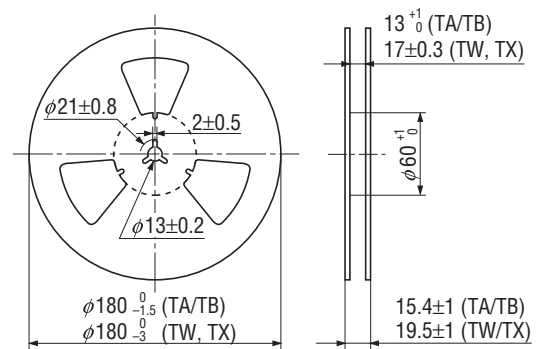


#### REEL DIMENSIONS

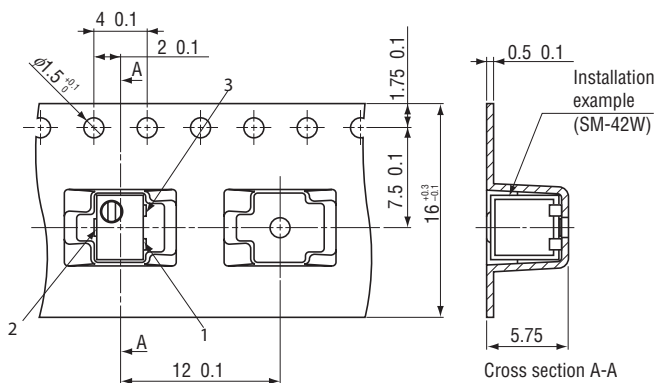
(Conforms to JIS C 0806-3)

(TA/TB type : In accordance with EIAJ ET-7200A)

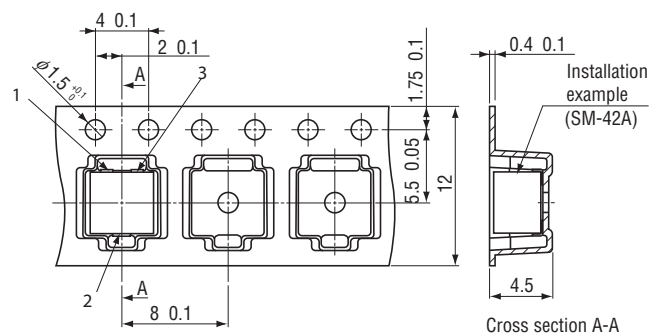
(Unit: mm)



#### SM-42/43TW/TX



#### SM-42/43TA/TB



#### <Bulk pack specifications>

- Unit of bulk in a plastic bag is 50 pcs. per pack.
- Boxing of bulk in a plastic bag is performed with 200 pcs. per box.