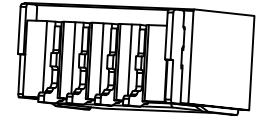


P.C.B LAYOUT  
TOLERANCE:±0.05

Ordering Information:  
A1002WR-S-XP-LCP - \*\*\*  
1 2

- 1.Part NO.
- 2.Finish:  
(Blank): Tin over Nickel  
G: Gold over Nickel

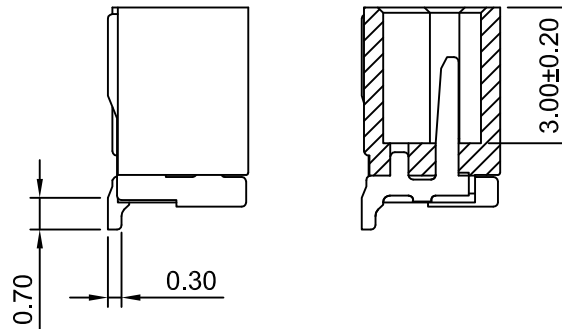
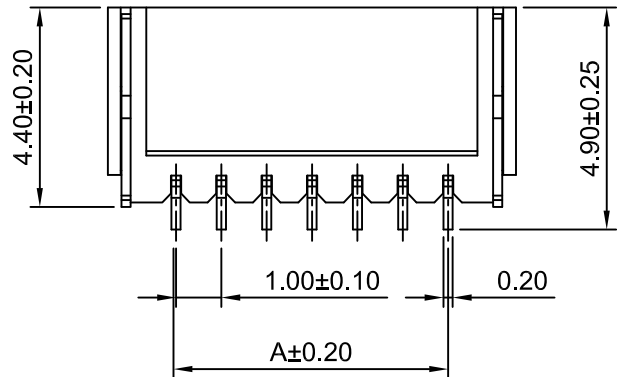


SPECIFICATIONS:

Current Rating: 1A AC,DC  
Voltage Rating: 50V AC,DC  
Temperature Range: -40°C ~ +105°C  
Contact Resistance: 20mΩ Max.  
Insulation Resistance: 100MΩ Min.  
Withstanding Voltage: 500V AC/minute  
Pin Material: Phosphor Bronze/Tin over Nickel  
Solder Tabs: Phosphor Bronze/Tin over Nickel  
Material: LCP,UL94V-0(Beige)

Ordering Information & Dimensions

Part NO.	Dimensions(mm)		
	A	B	C
A1002WR-S-2P-LCP	1.00	4.00	2.55
A1002WR-S-3P-LCP	2.00	5.00	3.55
A1002WR-S-4P-LCP	3.00	6.00	4.55
A1002WR-S-5P-LCP	4.00	7.00	5.55
A1002WR-S-6P-LCP	5.00	8.00	6.55
A1002WR-S-7P-LCP	6.00	9.00	7.55
A1002WR-S-8P-LCP	7.00	10.00	8.55
A1002WR-S-9P-LCP	8.00	11.00	9.55
A1002WR-S-10P-LCP	9.00	12.00	10.55
A1002WR-S-11P-LCP	10.00	13.00	11.55
A1002WR-S-12P-LCP	11.00	14.00	12.55
A1002WR-S-13P-LCP	12.00	15.00	13.55
A1002WR-S-14P-LCP	13.00	16.00	14.55
A1002WR-S-15P-LCP	14.00	17.00	15.55
A1002WR-S-16P-LCP	15.00	18.00	16.55
A1002WR-S-17P-LCP	16.00	19.00	17.55
A1002WR-S-18P-LCP	17.00	20.00	18.55
A1002WR-S-19P-LCP	18.00	21.00	19.55
A1002WR-S-20P-LCP	19.00	22.00	20.55



**CJT** CHANGJIANG CONNECTORS CO.,LTD.

Unit	Scale	Sheet	TITLE
mm	6:1	1 of 1	1.00mm PITCH RIGHT ANGLE WAFER -SMD TYPE
DRWN	CHK'D	APPR	
Dengchun Yi	Diankui Wan	Jack Yin	
General Tolerances			THIRD ANGLE PROJECTION
A2	MODIFY DRAWING	2021.10.28	DRAWING NO. A1002WR-S-XP-LCP
A1	CHANGE THE DRAW NO.&INFORMATION	2019.05.23	
A0	NEW RELEASE	2005.05.10	REV A2
REV	DESCRIPTION	DATE	

x.x±0.25	
x.xx±0.20	
x.xxx±0.15	
ANGLES ±1°	