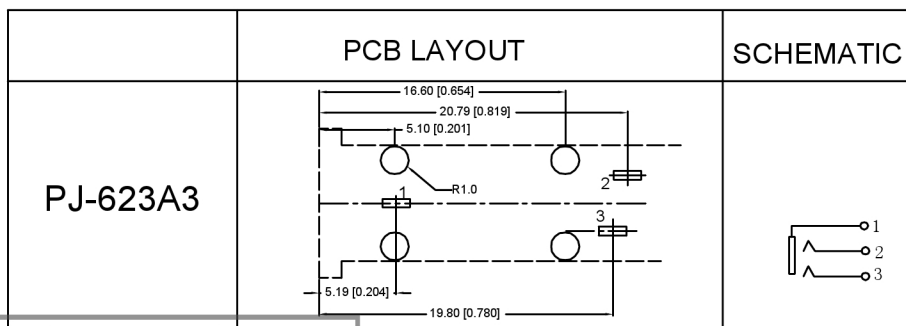


SPECIFICATION

1. Rating : DC 30V 1.0A;
2. Contact resistance: $\leq 0.03\Omega$;
3. Insulation resistance: $\geq 100M\Omega$ (DC250V);
4. Withstand voltage: 500VAC ;
5. Insertion and extraction force: 5-30N;
6. life test: 5,000 cycles .



| 6 | AXIS SUPPORT | 1 | BRASS | Ni-Plating |
|-----|----------------|-----|----------|--------------|
| 5 | COVER | 1 | PBT | |
| 4 | 3 CONTACT FOOT | 1 | BRONZE | CuSn-Plating |
| 3 | 2 CONTACT FOOT | 1 | BRONZE | CuSn-Plating |
| 2 | 1 CONTACT FOOT | 1 | BRONZE | CuSn-Plating |
| 1 | OUSING | 1 | PBT | |
| NO. | DESCRIPT | QTY | MATERIAL | PLATING |

广东星坤科技股份有限公司

日期

文件工程章

| REVISIONS | DATE | REVISED | APPROVED | UNSPECIFIED TOLERANCES |
|------------------|------|---------|----------|------------------------|
| ANGLAR | | | | $\pm 5^\circ$ |
| $L \leq 4$ | | | | ± 0.2 |
| $4 < L \leq 16$ | | | | ± 0.3 |
| $16 < L \leq 63$ | | | | ± 0.4 |
| $L > 63$ | | | | ± 0.5 |



| | | | |
|------|-------------|-------------|----------------|
| DSND | SCALE: N/A | MODEL TYPE: | 6.5 PHONE JACK |
| DWN | VIEW: | PART NO.: | PJ-623AX-X |
| CHKD | UNIT: mm/in | DWG NO.: | |
| APPD | SIZE: A4 | | |
| | | WEIGHT | SHEET |
| | | | REVISIC |
| | | | |
| | | 1/1 | A0 |

XKB INDUSTRIAL PRECISION CO., LIMITED

www.helloxkb.com www.helloxkb.cn www.xk-dg.cn