
ML7041

Audio CODEC

GENERAL DESCRIPTION

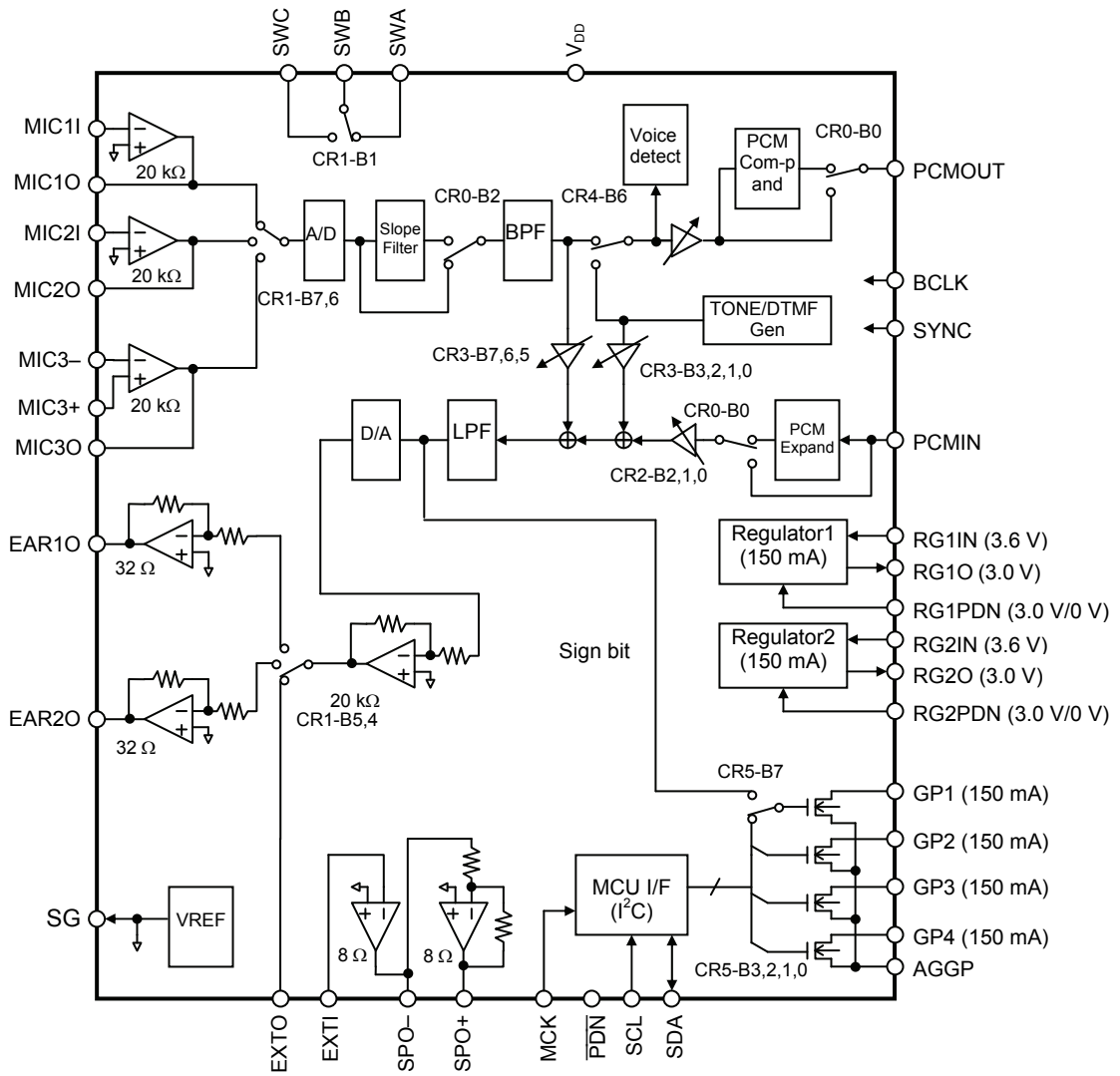
The ML7041 is a single-channel full duplex CODEC LSI device which performs mutual transcoding between the analog voice band signals ranging from 300 to 3400 Hz and the 64 kbps PCM serial data.

Provided with such functions as DTMF Tone generation, transmit/receive data gain control, side-tone path, and low-dropout regulator, the ML7041 is best suited for telephone terminals in digital wireless systems.

FEATURES

- Single 3 V power supply V_{DD} : 2.4 to 3.3 V
- Coding format: PCM μ -law/PCM A-law/14-bit linear mode selectable
- PCM interface timing: Long frame synchronous timing/short frame synchronous timing selectable
- Transmit/receive full-duplex operation
- Serial PCM transmission data rate: 64 to 2048 kbps
- Low power consumption
 - Operating mode: 15 mW typ. ($V_{DD} = 3.0$ V)
 - Power-down mode: 3 μ W typ. ($V_{DD} = 3.0$ V)
- Master clock frequency: 2.048 MHz (compatible with PCM shift clock)
- Analog output stage
 - 100 mW (differential type) amplifier output for driving receiver speaker:
Capable of driving an 8 Ω load.
 - 6.6 mW (single type) amplifier output for driving earphones speaker:
Capable of driving a 32 Ω load.
- Built-in two low-dropout regulators (150 mA \times 2)
- Built-in four general purpose drivers (150 mA \times 4)
- Transmit/receive mute, transmit/receive programmable gain control
- Built-in side tone path
- Built-in DTMF tone generator
- Transmit slope filter selectable
- I²C bus interface (MCU interface)
- Built-in transmit voice signal detector
- Package: 48-pin plastic TQFP (TQFP48-P-0707-0.50-K) (ML7041 TB)

BLOCK DIAGRAM



PIN DESCRIPTIONS

Pin	Symbol	Type	Description	State in power-down mode
1	AG	—	Analog ground (0 V)	—
2	EAR2O	O	Receive side voice amplifier output 2	High impedance
3	EAR1O	O	Receive side voice amplifier output 1	High impedance
4	V _{A1}	—	Analog power supply 1 (3.0 V)	—
5	EXTO	O	Receive side voice amplifier output	High impedance
6	EXTI	I	Receive side voice amplifier input	—
7	V _{A2}	—	Analog power supply 2 (3.0 V)	—
8	SPO-	O	Receive side voice amplifier output-	High impedance
9	AG2	—	Analog ground 2 (0 V)	—
10	AG3	—	Analog ground 3 (0 V)	—
11	SPO+	O	Receive side voice amplifier output+	High impedance
12	V _{A3}	—	Analog power supply 3 (3.0 V)	—
13	AGGP1	—	General purpose port ground 1 (0 V)	—
14	GP1	O	General purpose port 1 output (Open drain)	High impedance
15	GP2	O	General purpose port 2 output (Open drain)	High impedance
16	GP3	O	General purpose port 3 output (Open drain)	High impedance
17	GP4	O	General purpose port 4 output (Open drain)	High impedance
18	AGGP2	—	General purpose port ground 2 (0 V)	—
19	V _{DD}	—	Digital power supply (3.0 V)	—
20	MCK	I	Master clock input (2.048 MHz)	—
21	SDA	I/O	I ² C data input/output (Pull-up resistor required)	High impedance
22	SCL	I	I ² C shift clock input	—
23	PCMIN	I	PCM receive signal input	—
24	PCMOUT	O	PCM transmit signal output	"H"
25	DG	—	Digital ground (0 V)	—
26	BCLK	I	PCM data shift clock input	—
27	SYNC	I	PCM data shift sync signal input	—
28	PDN	I	Power down control input	"L"
29	RG1PDN	I	Power down input for regulator 1 (3.0 V/0 V)	"L"
30	RG2PDN	I	Power down input for regulator 2 (3.0 V/0 V)	"L"
31	AGR1	—	Ground for regulator 1 (0 V)	—
32	RG1O	O	Regulator 1 output (3.0 V)	"L" (RG1PDN = "L")
33	RG1IN	I	Regulator 1 power input (3.6 V)	—
34	AGR2	—	Ground for regulator 2 (0 V)	—
35	RG2O	O	Regulator 2 power output (3.0 V)	"L" (RG2PDN = "L")
36	RG2IN	I	Regulator 2 input (3.6 V)	—
37	V _A	—	Analog power supply (3.0 V)	—
38	SWA	I/O	Analog switch A	—
39	SWB	I/O	Analog switch B	—
40	SWC	I/O	Analog switch C	—
41	MIC1I	I	Transmit side amplifier 1 inverting input	—
42	MIC1O	O	Transmit side amplifier 1 output	High impedance
43	MIC2I	I	Transmit side amplifier 2 inverting input	—
44	MIC2O	O	Transmit side amplifier 2 output	High impedance
45	MIC3+	I	Transmit side amplifier 3 non-inverting input	—
46	MIC3-	I	Transmit side amplifier 3 inverting input	—
47	MIC3O	O	Transmit side amplifier 3 output	High impedance
48	SG	O	Analog signal ground (1.4 V)	"L"

PIN AND FUNCTIONAL DESCRIPTIONS**MIC1I, MIC1O, MIC2I, MIC2O, MIC3–, MIC3+, MIC3–**

Transmit analog inputs and outputs for transmit gain adjustment. Gains of input levels of the pins can be adjusted using external resistors.

MIC1I, MIC2I, and MIC3– are connected to the inverting inputs of the internal transmit amplifiers. MIC3+ is connected to the non-inverting input of the internal transmit amplifier 3. MIC1O, MIC2O, and MIC3O are connected to the internal transmit amplifier outputs. Analog input signals are controlled by the control register (CR1-B7, B6). Also, the amplifiers that are not being selected are deactivated and their outputs are put into high impedance state.

Refer to Figure 1 for gain adjustment.

EAR1O, EAR2O, EXTIO, EXTI, SPO–, SPO+

Receive analog outputs and inputs for receive gain adjustment. EAR1O, EAR2O, and EXTIO are the receive filter outputs. EAR1O and EAR2O can directly drive a 32 Ω load.

SPO+ and SPO– are differential analog signal outputs which can directly drive an 8 Ω load. The receive side signal outputs can be selected by CR1-B5 and CR1-B4. If the amplifiers connected to EAR1O and EAR2O are not being selected, the amplifiers are deactivated and their outputs are put into high impedance state. Gains of output levels of the pins can be adjusted using the external resistors. The power control is accomplished by CR0-B6. Refer to Figure 1.

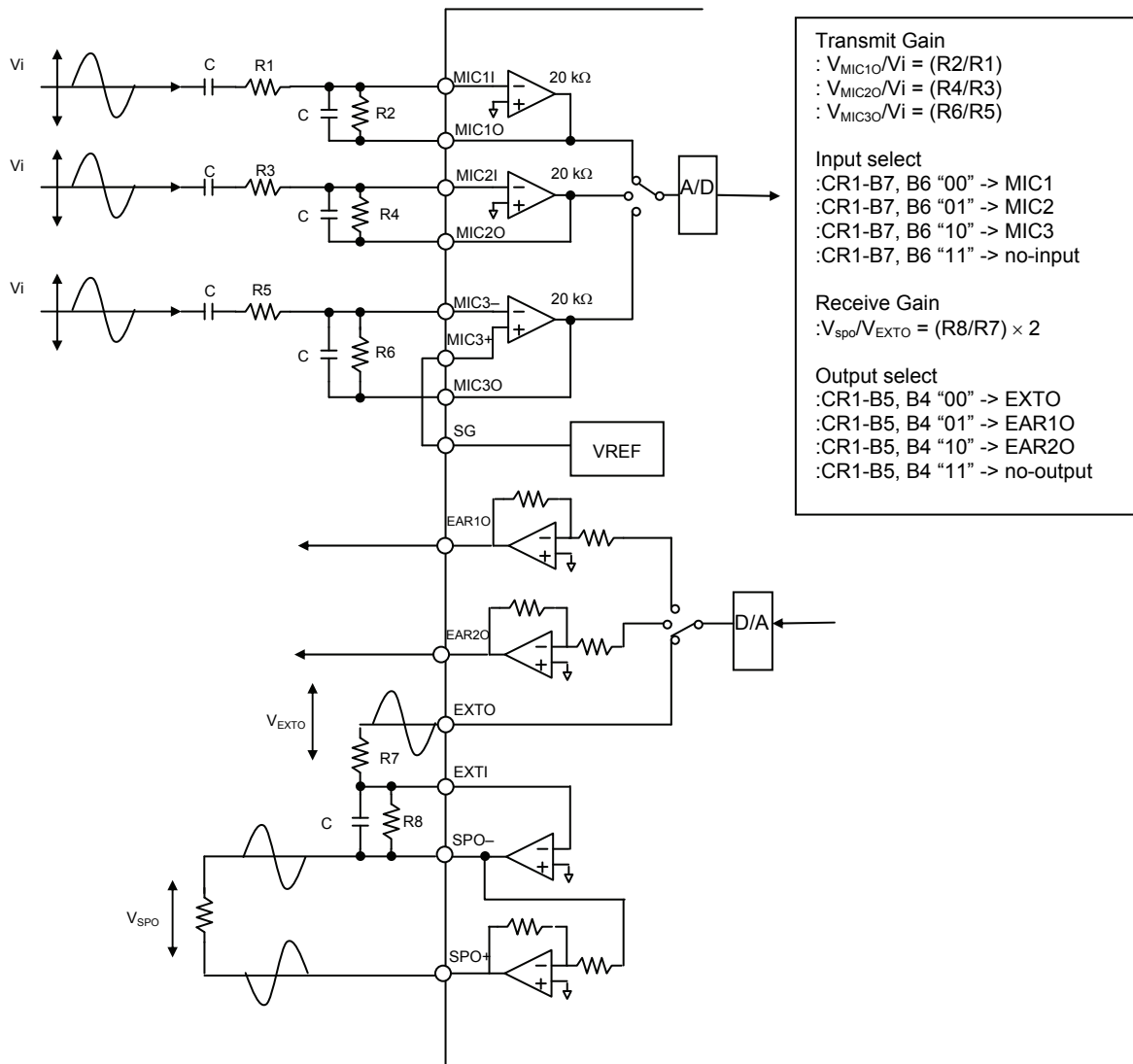


Figure 1 Analog Interface

SG

Analog signal ground.

The output voltage of this pin is approximately 1.4 V. Put the bypass capacitors 0.1 μF ceramic type between this pin and GND to get the specified noise characteristics. During power-down, this output voltage is 0 V.

SWA, SWB, SWC

Used for an internal analog switch. The pin SWB is connected to the pin SWA or the pin SWC. This is controlled by CR1-B1.

RG1PDN, RG1IN, RG1O

Used for Regulator 1. The RG1PDN pin is a power down input. When set to “L”, the Regulator 1 changes to the power down state. Since the power down is controlled by a logical OR with CR5-B4 of the control register, set CR5-B4 to logic “0” when using this pin. The RG1IN pin is input to the Regulator 1. The RG1O pin is output from the Regulator 1, whose voltage is 3.0 V. A 1 μF ceramic type bypass capacitor must be connected between the power input pin and GND, and a 10 μF tantalum bypass capacitor must be connected from the output pin to GND.

RG2PDN, RG2IN, RG2O

Used for Regulator 2. The RG2PDN pin is a power down input. When set to “L”, the Regulator 2 changes to the power down state. Since the power down is controlled by a logical OR with CR5-B5 of the control register, set CR5-B5 to logic “0” when using this pin. The RG2IN pin is the input to the Regulator 2. The RG2O pin is the output from the Regulator 2, whose voltage is 3.0 V. A 1 μF ceramic type bypass capacitor must be connected between the power input pin and GND, and a 10 μF tantalum bypass capacitor must be connected from the output pin to GND.

Note1: The RG1O and RG2O outputs must not be used as the 3 V supply for the ML7041.

Note2: The RG1IN and RG2IN should be common near the device and supplied from the same power supply.

GP1, GP2, GP3, GP4

General purpose driver output. Each pin is controlled by CR5-B1 through CR5-B4. By selecting CR5-B7, the GP1 pin can be controlled by the receive side sign bit.

V_{DD}, V_A, V_{A1}, V_{A2}, V_{A3}

V_{DD} is the digital power supply. V_A, V_{A1}, V_{A2}, and V_{A3} are the analog power supply pins. Since these pins are separated in the device, connect them as close as possible on the PCB.

DG, AG, AG1, AG2, AG3, AGR1, AGR2, AGGP1, AGGP2

Ground. DG is the digital ground. AG, AG1, AG2, AG3, AGR1, AGR2, AGGP1 and AGGP2 are the analog ground. Since these pins are separated in the device, connect them as close as possible on the PCB.

PDN

Power down and reset control input.

When set to digital “L”, the device changes to the power down state and the control register is reset. Since the power down mode is controlled by a logical OR with CR0-B5 of the control register, set CR0-B5 to logic “0” when using this pin. The reset pulse width must be 200 ns or more. Be sure to reset the control register after turning on the power.

MCK

Master clock input.

The frequency must be 2.048 MHz. MCK can be asynchronous with SYNC and BCLK.

If a frequency of BCLK is 2.048 MHz, the BCLK can be shared with MCK.

BCLK

Shift clock input for the PCM data.

The frequency is set in the range of 64 kHz to 2048 kHz for A/ μ -law PCM data and set in the range of 128 kHz to 2048 kHz for linear code selection.

SYNC

8 kHz synchronous signal input for transmit and receive PCM data.

Synchronize this signal with BCLK signal. This signal is used to indicate the MSB of the PCM data stream.

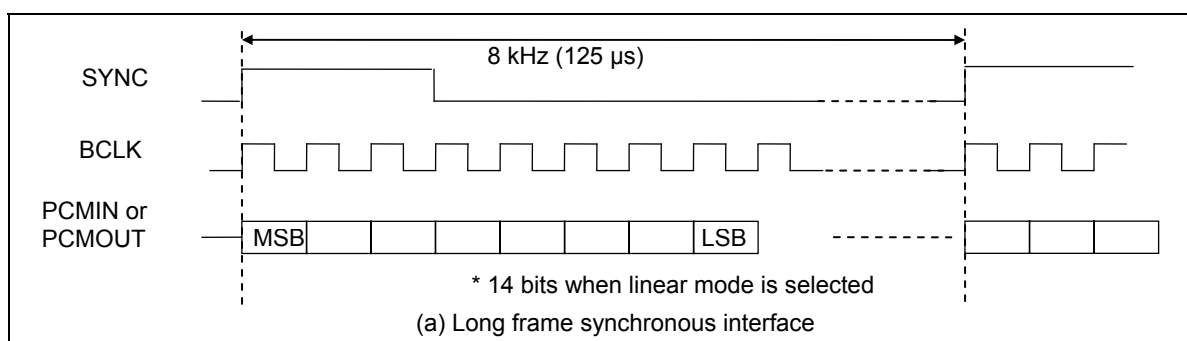
PCMOUT

Transmit PCM data output. The PCM output signal is output from MSB, synchronously with the rising edges of BCLK and SYNC. Refer to Figure 2. This is a logic output pin so that external pull-up is not required. This pin outputs logic "L" except during effective PCM data bits, and outputs logic "H" during power-down.

PCMIN

Receive PCM data input.

The PCM input signal is shifted in on the falling edge of BCLK and is input from MSB.



Refer to Figure 2.

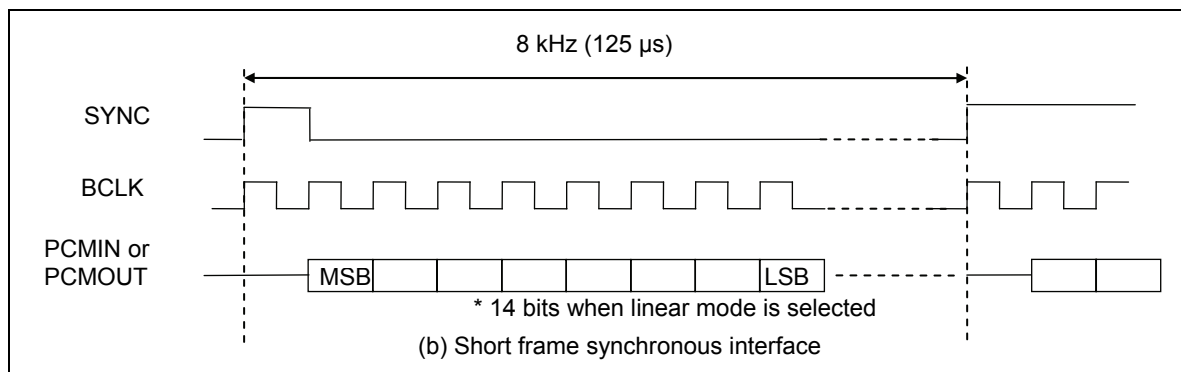


Figure 2 PCM Interface Basic Timing Diagram

SDA, SCL

SDA is the serial data input/output pin and SCL is the serial clock line input pin. A pull-up register of 1 to 10 kΩ is required for the SDA pin. The master clock is required when data is written or read.

Transfer format

The control register can be controlled according to the I²C bus transfer format.

The control register address is 3 bits long and the register data is 8 bits long. The methods of writing and reading of data are shown below.

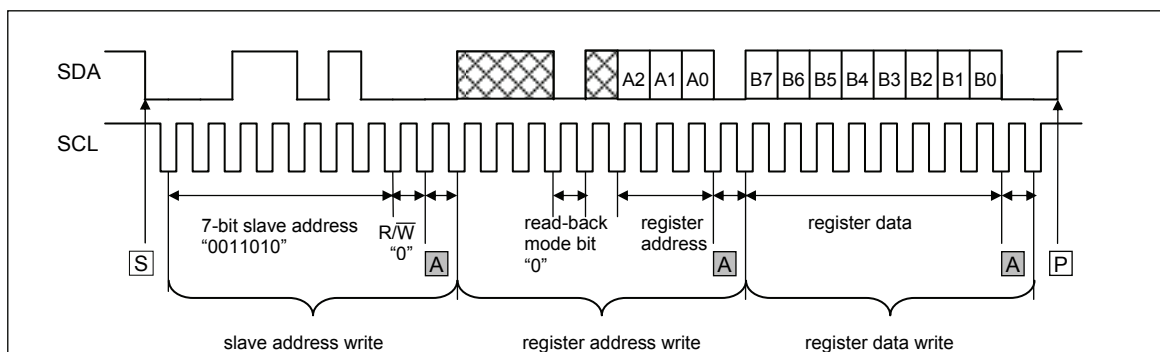


Figure 3 I²C Interface Write Timing

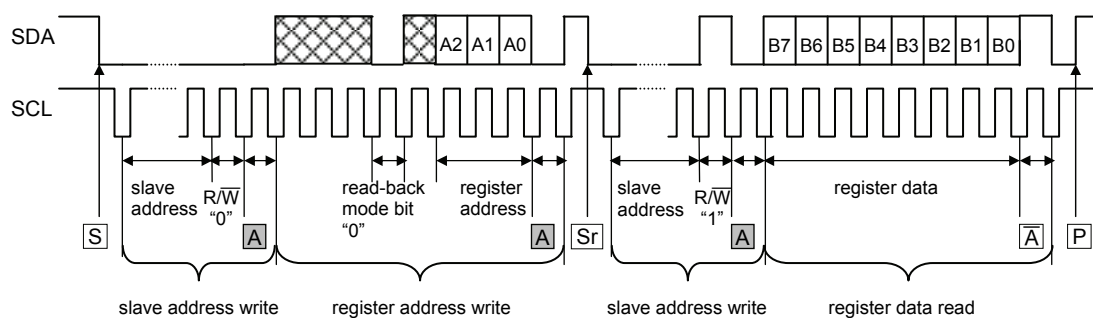


Figure 4 I²C Interface Read Timing: normal mode

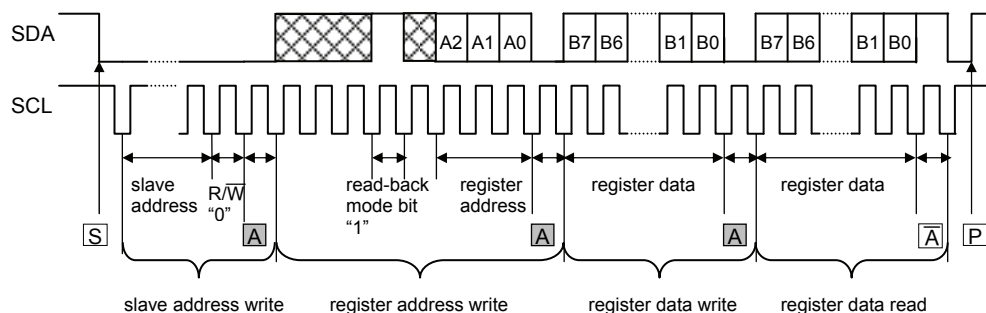


Figure 5 I²C Interface Read Timing: read-back mode

ML7041 Slave address "0011010"

- S START condition
- P STOP condition
- Sr Repeated START condition
- A Acknowledged (ML7041 drive SDA to "0")
- A Not Acknowledged
- X Don't care ("0" or "1")

Table 1 shows the register map.

Table 1 Control Register Map

Name	Address			Control and Detect Data								RW
	A2	A1	A0	B7	B6	B5	B4	B3	B2	B1	B0	
CR0	0	0	0	A/ μ SEL	SPOUT PON	PDN ALL	PDN TX	PDN RX	SLP	SLP SEL	LNR	R/W
CR1	0	0	1	MIC SEL1	MIC SEL0	SP SEL1	SP SEL0	SHORT FRAME	—	SW C/A	RX PAD	R/W
CR2	0	1	0	TX ON/OFF	TX GAIN2	TX GAIN1	TX GAIN0	RX ON/OFF	RX GAIN2	RX GAIN1	RX GAIN0	R/W
CR3	0	1	1	SIDE TONE GAIN2	SIDE TONE GAIN1	SIDE TONE GAIN0	TONE ON/OFF	TONE GAIN3	TONE GAIN2	TONE GAIN1	TONE GAIN0	R/W
CR4	1	0	0	DTMF/ OTHERS SEL	TONE SEND	—	TONE4	TONE3	TONE2	TONE1	TONE0	R/W
CR5	1	0	1	GP1 SEL CR/TONE	—	RG2PDN	RG1PDN	GP4C	GP3C	GP2C	GP1C	R/W
CR6	1	1	0	VOX ON/OFF	ON LVL1	—	—	—	—	—	—	R/W
CR7	1	1	1	VOX OUT	TX NOISE1	TX NOISE0	—	—	—	—	—	R

R/W: Read/Write enable R: Read only register

ABSOLUTE MAXIMUM RATINGS

Parameter	Symbol	Condition	Rating	Unit
Power Supply Voltage	V _{DD}	—	-0.3 to +4.6	V
Analog Input Voltage	V _{AIN}	—	-0.3 to V _{DD} +0.3	V
Digital Input Voltage	V _{DIN}	—	-0.3 to V _{DD} +0.3	V
Storage Temperature	T _{STG}	—	-55 to +150	°C
Operating Junction Temperature *	T _{jmax}	—	+150	°C

RECOMMENDED OPERATING CONDITIONS

Parameter	Symbol	Condition	Min.	Typ.	Max.	Unit
Power Supply Voltage	V _{DD}	—	2.4	—	3.3	V
Operating Temperature	T _a	—	-40	+25	+85	°C
Operating Junction Temperature (Average) *	T _{jmaxa}	—	—	—	105	°C
Input High Voltage	V _{IH}	all digital input pins	0.7 × V _{DD}	—	V _{DD}	V
Input Low Voltage	V _{IL}	all digital input pins	0	—	0.20 × V _{DD}	V
Digital Input Rise Time	t _{ir}	all digital input pins	—	—	50	ns
Digital Input Fall Time	t _{if}	all digital input pins	—	—	50	ns
Digital Output Load	C _{DL}	all digital output pins	—	—	100	pF
Bypass Capacitor for SG	C _{SG}	Between SG and AG	0.1	—	—	μF
Master Clock Frequency	F _{MCK}	MCK	-0.01%	2.048	+0.01%	MHz
Bit Clock Frequency	F _{BCK1}	BCLK (A/μ-law)	64	—	2048	kHz
	F _{BCK2}	BCLK (linear)	128	—	2048	kHz
Synchronous Signal Frequency	F _{SYNC}	SYNC	—	8.0	—	kHz
Clock Duty Ratio	D _{CLK}	MCK, BCLK	40	50	60	%
Sync Pulse Setting Time	T _{SB}	SYNC → BCLK	-100	—	100	ns
	T _{BS}	BCLK → SYNC	100	—	—	ns
Synchronous Signal Width	t _{WS}	SYNC	1BCLK	—	100	μs

* The device should be used in such a way that T_{jmax} (average) is less than 105°C.

T_{jmax} is given by the equation:

$$T_{jmax} = P \times \theta_{ja} + T_a$$

where P = Power dissipation (W)

A 48-pin TQFP package is used.

$\theta_{ja} = 195^\circ\text{C}$ (not mounted on a PCB, in still-air-ambient)

$\theta_{ja} = 156^\circ\text{C}$ (mounted on a typical PCB, in still-air-ambient)

For more details, refer to PACKAGE INFORMATION DATA BOOK.

ELECTRICAL CHARACTERISTICS

DC Characteristics

(V_{DD} = 2.4 to 3.3 V, Ta = -40 to +85°C)

Parameter	Symbol	Condition	Min.	Typ.	Max.	Unit
Power Supply Current	I _{DD1}	Operating mode No signal (V _{DD} = 3.0 V)	0	5.0	11.0	mA
	I _{DD2}	Operating mode No signal (V _{DD} = 3.0 V) SPO+, SPO- or EAR1, 2 is active	0	16.0	32.0	mA
	I _{DD3}	Power down mode (V _{DD} = 3.0 V, Ta = 25°C)	0	1.0	10	μA
Input Leakage Current	I _{IH}	V _I = V _{DD}	—	—	2.0	μA
	I _{IL}	V _I = 0 V	—	—	1.5	μA
Output High Voltage	V _{OH}	I _{OH} = 0.4 mA	0.5 × V _{DD}	—	V _{DD}	V
Output Low Voltage	V _{OL}	I _{OL} = -1.2 mA	0	0.2	0.4	V
Input Capacitance	C _{IN}	—	—	5	—	pF

Analog Interface Characteristics

(V_{DD} = 2.4 to 3.3 V, Ta = -40 to +85°C)

Parameter	Symbol	Condition	Min.	Typ.	Max.	Unit
Input Resistance	R _{INX}	MIC1I, MIC2I, MIC3-, MIC3+	10	—	—	MΩ
Output Load Resistance	R _{LGX1}	MIC1O, MIC2O, MIC3O, EXT0	20	—	—	kΩ
	R _{LGX2}	EAR1O, EAR2O	32	—	—	Ω
	R _{LGX3}	SPO+, SPO- differential output	8	—	—	Ω
Output Load Capacitance	C _{LGX}	Analog output	—	—	50	pF
Output Amplitude *	V _{O1}	MIC1O, MIC2O, MIC3O, EXT0, RL = 20 kΩ	—	—	1.3	V _{PP}
		EAR1O, EAR2O, RL = 32 Ω				
	V _{O2}	SPO+, SPO-, (Differential output) V _{DD} = 3.0 V, RL = 8 Ω	—	—	2.6	V _{PP}
V _{O3}	SPO- (Single output) V _{DD} = 3.0 V, RL = 20 kΩ, THD = 1%	2.0	2.6	—	V _{PP}	
Total Harmonic Distortion	THD	EAR1O, EAR2O, SPO+, SPO- V _{DD} = 3.0 V (at V _{O1} , V _{O2})	—	—	5.0	%
Offset Voltage	V _{OFGX1}	MIC1O, MIC2O, MIC3O	-40	—	40	mV
	V _{OFGX2}	EAR1O, EAR2O, SPO+, SPO-, EXT0	-100	—	100	mV
SG Output Voltage	V _{SG}	SG	—	1.4	—	V
SG Output Impedance	R _{SG}	SG	—	40	80	kΩ
Internal switch ON Impedance	R _{SW}	All internal analog switches (1.4 V DC bias)	—	—	300	Ω

* -7.7 dBm (600 Ω) = 0 dBm0, +3.17 dBm0 = 1.3 V_{PP}

AC Characteristics

(V_{DD} = 2.4 to 3.3 V, Ta = -40 to +85°C)

Parameter	Symbol	Condition			Min.	Typ.	Max.	Unit
		Frequency (Hz)	Level (dBm0)	Others				
Transmit Frequency Response	L _{oss} T1	0 to 60	0	—	25	—	—	dB
	L _{oss} T2	300 to 3000			-0.15	—	0.20	dB
	L _{oss} T3	1020			Reference			dB
	L _{oss} T4	3300			-0.15	—	0.80	dB
	L _{oss} T5	3400			0	—	0.80	dB
	L _{oss} R6	3968.75			13	—	—	dB
Receive Frequency Response *2	L _{oss} R1	0 to 3000	0	—	-0.15	—	0.20	dB
	L _{oss} R2	1020			Reference			dB
	L _{oss} R3	3300			-0.15	—	0.80	dB
	L _{oss} R4	3400			0	—	0.80	dB
	L _{oss} R5	3968.75			13	—	—	dB
Transmit Signal to Distortion Ratio	SD T1	1020	3	*1	35	—	—	dB
	SD T2		0		35	—	—	dB
	SD T3		-30		35	—	—	dB
	SD T4		-40		28	—	—	dB
	SD T5		-45		23	—	—	dB
Receive Signal to Distortion Ratio *2	SD R1	1020	3	*1	35	—	—	dB
	SD R2		0		35	—	—	dB
	SD R3		-30		35	—	—	dB
	SD R4		-40		28	—	—	dB
	SD R5		-45		23	—	—	dB
Transmit Gain Tracking	GT T1	1020	3	—	-0.5	—	0.5	dB
	GT T2		-10		Reference			dB
	GT T3		-40		-0.5	—	0.5	dB
	GT T4		-50		-1.0	—	1.0	dB
	GT T5		-55		-1.2	—	1.2	dB
Receive Gain Tracking *2	GT R1	1020	3	—	-0.5	—	0.5	dB
	GT R2		-10		Reference			dB
	GT R3		-40		-0.5	—	0.5	dB
	GT R4		-50		-1.0	—	1.0	dB
	GT R5		-55		-1.2	—	1.2	dB

*1 Use the P-message weighted filter.

*2 EXTO output

AC Characteristics (Continued)

(V_{DD} = 2.4 to 3.3 V, T_a = -40 to +85°C)

Parameter	Symbol	Condition			Min.	Typ.	Max.	Unit
		Frequency (Hz)	Level (dBm0)	Others				
Idle Channel Noise	N _{IDLT}	—	MIC11, MIC21, MIC3 ± = SG	*1	—	—	-68	dBmOp
	N _{IDLR}	—	—	*1, *2, *4	—	—	-72	
Absolute Signal Amplitude	A _{VT}	1020	0	MIC10, MIC20, MIC30	0.285	0.320 *3	0.359	V _{rms}
	A _{VR}			EXTO	0.285	0.320 *3	0.359	V _{rms}
Power Supply Noise Rejection Ratio	P _{SRRT}	Noise frequency: 0 to 50 kHz	Noise level: 50 mVpp	—	30	—	—	dB
	P _{SRRR}				30	—	—	dB
Digital Input/Output Timing PCM Interface	t _{SDX}	—	1 LSTTL + 100 pF	See Figure 6	0	—	200	ns
	t _{XD1}				0	—	200	ns
	t _{XD2}				0	—	200	ns
	t _{XD3}				0	—	200	ns
PCMIN Setup Time	t _{DS}	—	—	See Figure 6	100	—	—	ns
PCMIN Hold Time	t _{DH}	—	—	See Figure 6	100	—	—	ns
I ² C Interface timing	f _{SCL}	—	CL = 50 pF	See Figure 7	0	—	100	kHz
	t _{BUF}				4.7	—	—	μs
	t _{HD:STA}				4.0	—	—	μs
	t _{LOW}				4.7	—	—	μs
	t _{HIGH}				4.0	—	—	μs
	t _{SU:STA}				4.7	—	—	μs
	t _{HD:DAT}				0	—	—	μs
	t _{SU:DAT}				250	—	—	ns
	t _{SU:STO}				4.0	—	—	μs

*1 Use the P-message weighted filter.

*2 PCMIN input code "11010101" (A-law)
"11111111" (μ-law)*3 0.320 V_{rms} = 0 dBm0 = -7.7 dBm

*4 EXTO output

AC Characteristics (DTMF and Other Tones)(V_{DD} = 2.4 to 3.3 V, Ta = -40 to +85°C)

Parameter	Symbol	Condition	Min.	Typ.	Max.	Unit	
Frequency Difference	D _{FT}	DTMF Tones, Other Tones	-1.5	—	+1.5	%	
Original (reference) Tones Signal Level *5	V _{TL}	Transmit tones (gain setting of 0 dB)	DTMF (Low) and Other Tones	-18	-16	-14	dBm0
	V _{TH}		DTMF (High)	-16	-14	-12	dBm0
	V _{RL}	Receive tones (gain setting of -6 dB)	DTMF (Low)	-4	-2	0	dBm0
	V _{RH}		DTMF (High) and Other Tones	-2	0	+2	dBm0
Relative Level of DTMF Tones	R _{DTMF}	V _{TH} /V _{TL} , V _{RH} /V _{RL}	+1	+2	+3	dB	

*5 Not including programmable gain set values

AC Characteristics (Programmable Gain Stages)(V_{DD} = 2.4 to 3.3 V, Ta = -40 to +85°C)

Parameter	Symbol	Condition	Min.	Typ.	Max.	Unit
Gain Accuracy	D _G	All gain stages, to programmed value	-1	0	+1	dB

AC Characteristics (Voice Detect Function)(V_{DD} = 2.4 to 3.3 V, Ta = -40 to +85°C)

Parameter	Symbol	Condition	Min.	Typ.	Max.	Unit
Voice Detection Time	T _{VON}	Silence → Voice	—	5	—	ms
	T _{VOF}	(Voice/silence differential: 10 dB)	140	160	180	ms
Voice Detection Accuracy	D _{VX}	For detection level set values by CR6-B6	-2.5	0	2.5	dB

AC Characteristics (General Purpose Drivers)

(V_{DD} = 2.4 to 3.3 V, Ta = -40 to +85°C)

Parameter	Symbol	Condition	Min.	Typ.	Max.	Unit
Output Voltage	V _O	I _{OUT} = 150 mA, GP1 - GP4	—	—	0.7	V
Output Load Resistance	R _O		20	—	—	Ω

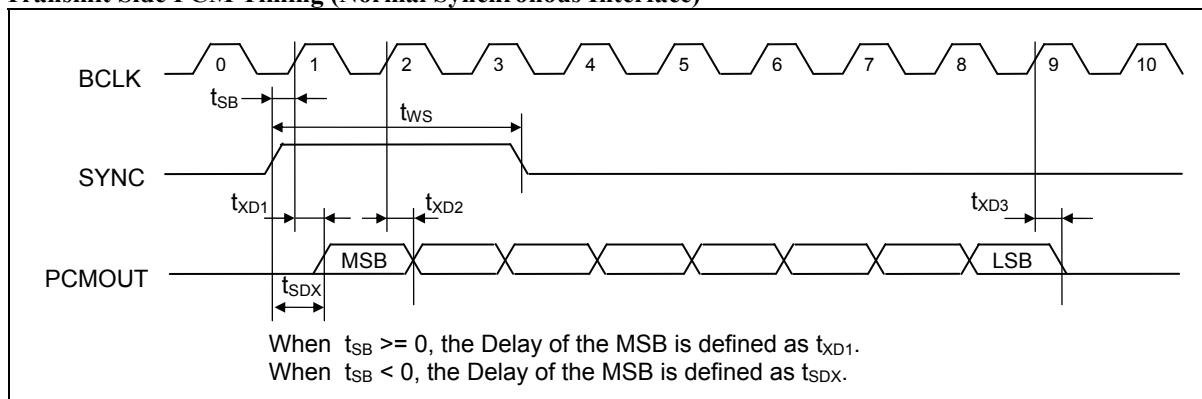
AC Characteristics (Regulator 1 and 2)

(V_{DD} = 2.4 to 3.3 V, Ta = -40 to +85°C)

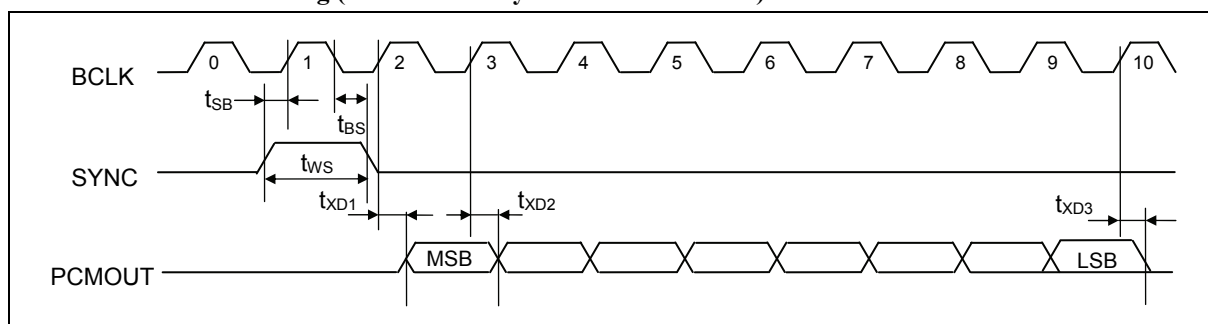
Parameter	Symbol	Condition	Min.	Typ.	Max.	Unit
Input Voltage	V _{I1}	I _{OUT} = 50 mA	3.3	3.6	4.1	V
	V _{I2}	I _{OUT} = 150 mA	3.5	3.6	4.1	V
Output Voltage	V _O	R _{GIN} = 3.6 V, I _{OUT} = 0 mA, Ta = 25°C	2.93	3.00	3.07	V
Load Current	I _O	3.5 V < R _{GIN} < 4.1 V	—	—	150	mA
Dropout Voltage	V _{DROP}	I _{OUT} = 150 mA, R _{GIN} = 3.6 V	—	—	200	mV
Output Voltage Line Regulation	dV _O /dV _I	I _{OUT} = 50 mA 3.3 V < R _{GIN} < 4.1 V, Ta = 25°C	—	0.1	1.25	%/V
Standby Current	I _{standby}	R _{G1} PDN = 0, R _{G2} PDN = 0		0.1	10	μA

TIMING DIAGRAM

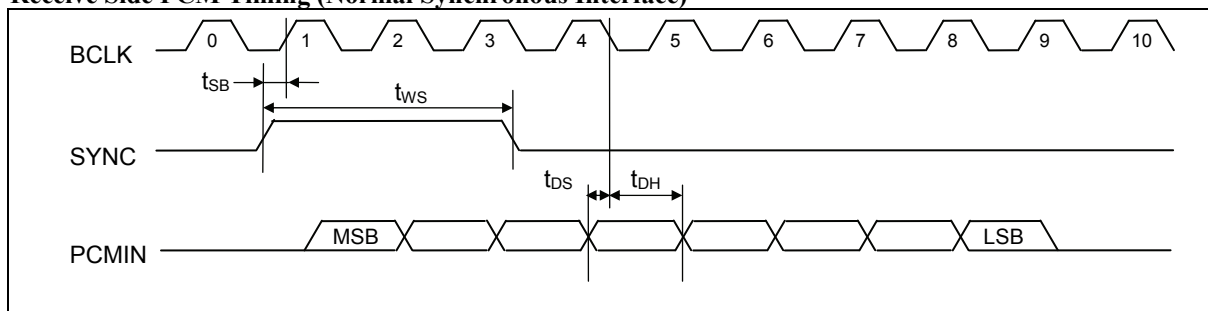
Transmit Side PCM Timing (Normal Synchronous Interface)



Transmit Side PCM Timing (Short Frame Synchronous Interface)



Receive Side PCM Timing (Normal Synchronous Interface)



Receive Side PCM Timing (Short Frame Synchronous Interface)

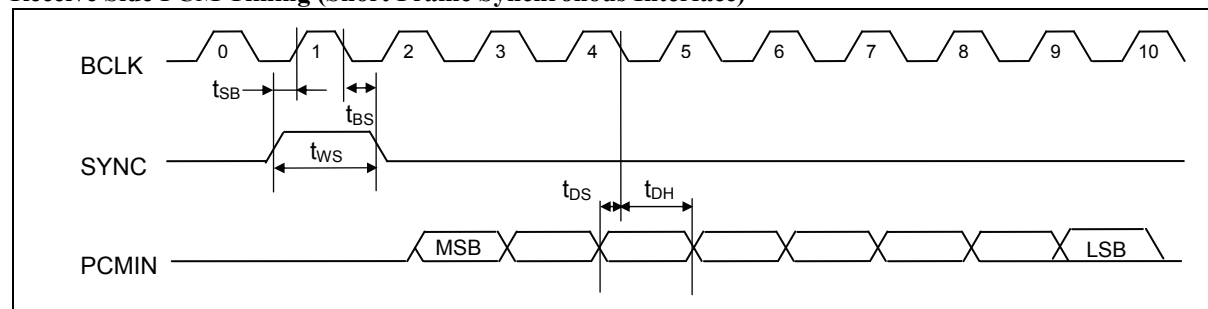
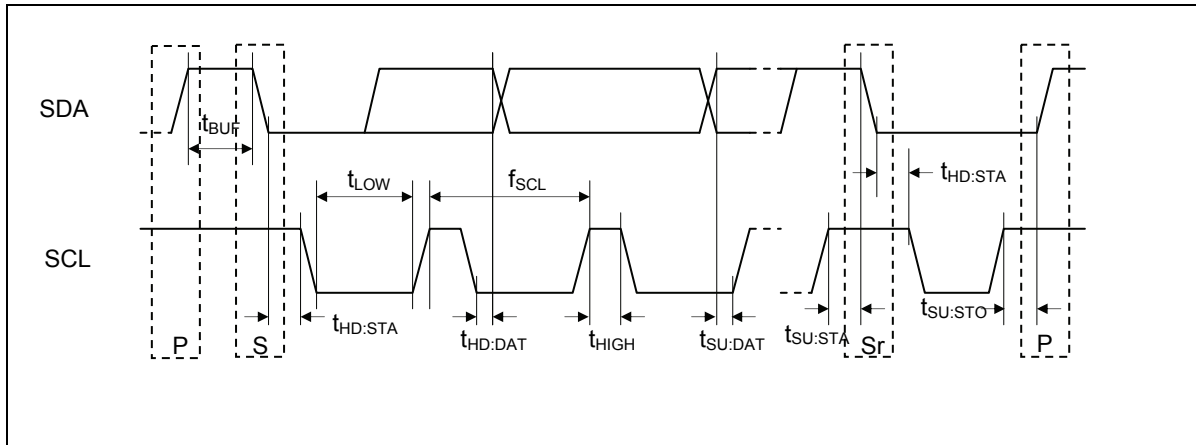


Figure 6 PCM Interface Timing

I²C Interface**Figure 7 I²C Interface Timing**

FUNCTIONAL DESCRIPTION

Control Registers

CR0 (Basic operating mode 1)

Note: The initial value means a value set when the device is reset by the $\overline{\text{PDN}}$ pin.

	B7	B6	B5	B4	B3	B2	B1	B0
CR0	A/ μ SEL	SPOUT PON	PDN ALL	PDN TX	PDN RX	SLP	SLP SEL	LNR
Initial value	0	0	0	0	0	0	0	0

B7 PCM interface companding law select 0: μ -law 1: A-law

B6 Power-on control for output amplifiers (SPO+, SPO-) 0: Power down 1: Power on

B5 Power down (entire circuitry) 0: Power on 1: Power down

ORed with the inverted PDN signal. When using this data, set PDN to "L".

The control registers are not reset by this signal.

B4 Power down (transmit only) 0: Power on 1: Power down

B3 Power down (receive only) 0: Power on 1: Power down

B2 Slope filter enable 0: Slope filter disable 1: Slope filter enable

B1 Slope filter frequency response select 0: CASE1 1: CASE2

Either CASE1 or CASE2 can be selected in Figure 8.

B0 PCM interface linear code select

0: PCM companding law selected by CR0-B7

1: 14-bit linear code (2's complement)

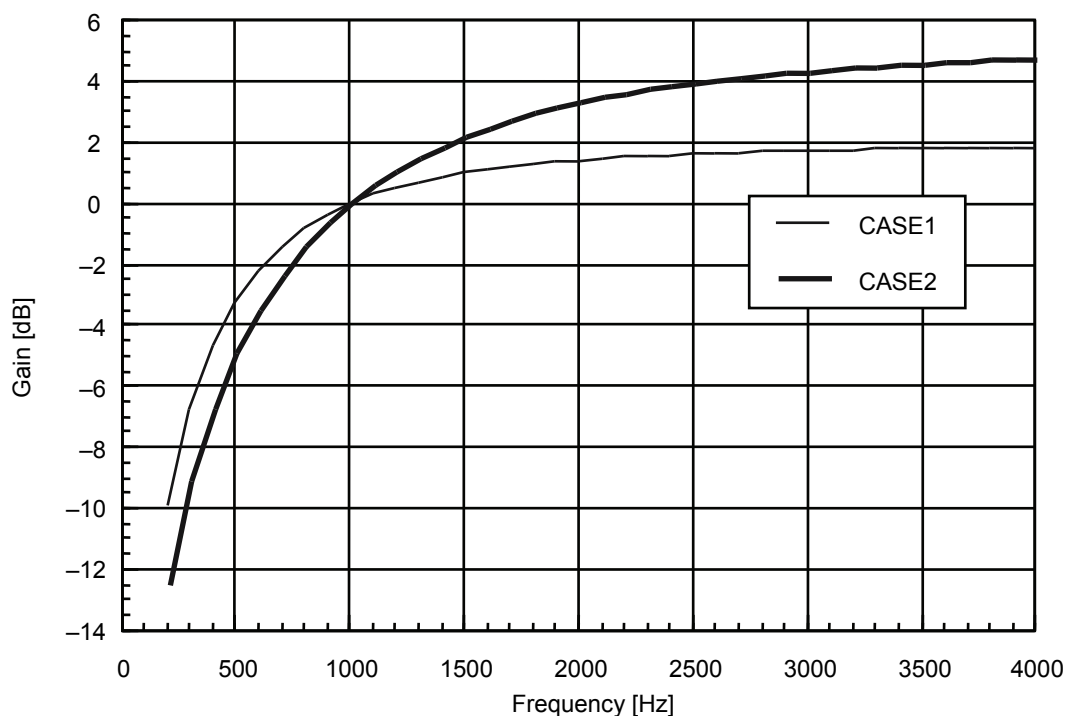


Figure 8 Slope Filter Frequency Characteristics

CR1 (Basic operating mode 2)

	B7	B6	B5	B4	B3	B2	B1	B0
CR1	MIC SEL1	MIC SEL0	SP SEL1	SP SEL0	SHORT FRAME	—	SW C/A	RX PAD
Initial Value	0	0	0	0	0	0	0	0

B7, B6..... Selection of an input amplifier to encoder

- (B7, B6) = (0, 0): MIC1
- = (0, 1): MIC2
- = (1, 0): MIC3
- = (1, 1): No input

Amplifiers which are not selected are powered down and their outputs go in the high impedance state.

B5, B4..... Selection of an output amplifier

- (B5, B4) = (0, 0): EXT0
- = (0, 1): EAR10
- = (1, 0): EAR20
- = (1, 1): No output

Amplifiers which are not selected are powered down and their outputs go in the high impedance state.

B3 Short frame synchronous interface select

- 0: Long frame synchronous interface,
- 1: Short frame synchronous interface

B2 Not used. When writing data, write "0".

B1 Analog switch control

- 0: The SWB pin is internally connected to the SWA pin.
 - 1: The SWB pin is internally connected to the SWC pin.
- The unconnected pins go in a high impedance state.

B0 Receive side PAD

- 0: No pad
- 1: A pad of 12 dB loss is inserted in the receive side voice path.

CR2 (PCM CODEC operating mode setting and transmit/receive gain adjustment)

	B7	B6	B5	B4	B3	B2	B1	B0
CR2	TX ON/OFF	TX GAIN2	TX GAIN1	TX GAIN0	RX ON/OFF	RX GAIN2	RX GAIN1	RX GAIN0
Initial Value	0	0	1	1	0	0	1	1

B7 Transmit side PCM signal ON/OFF 0: ON 1: OFF

B6, B5, B4 Transmit side signal gain adjustment (refer to Table 2)

B3 Receive side PCM signal ON/OFF 0: ON 1: OFF

B2, B1, B0 Receive side signal gain adjustment (refer to Table 2)

Table 2 Transmit/Receive Gain Settings

B6	B5	B4	Transmit Gain	B2	B1	B0	Receive Gain
0	0	0	-6 dB	0	0	0	-12 dB
0	0	1	-4 dB	0	0	1	-9 dB
0	1	0	-2 dB	0	1	0	-6 dB
0	1	1	0 dB	0	1	1	-3 dB
1	0	0	+2 dB	1	0	0	0 dB
1	0	1	+4 dB	1	0	1	+3 dB
1	1	0	+6 dB	1	1	0	+6 dB
1	1	1	+8 dB	1	1	1	+9 dB

The above gain settings table shows the transmit/receive voice signal gain settings and the transmit side gain settings for DTMF tones and other tones. The DTMF and other tone transmit signals are enabled by CR4-B6, and the gain setting is referenced to the levels shown below.

DTMF tones (low group): -16 dBm0

DTMF tones (high group) and other tones: ... -14 dBm0

For example, if the transmit gain set value is set to +8 dB (B6, B5, B4) = (1,1,1), then the following tones are output at the PCMOOUT pin.

DTMF tones (low group): -8 dBm0

DTMF tones (high group) and other tones: ... -6 dBm0

Gains of the side tone (path to receive side from transmit side) and the receive side tone can be set by register CR3.

CR3 (Side tone and other tone generator gain setting)

	B7	B6	B5	B4	B3	B2	B1	B0
CR3	SIDE TONE GAIN2	SIDE TONE GAIN1	SIDE TONE GAIN0	TONE ON/OFF	TONE GAIN3	TONE GAIN2	TONE GAIN1	TONE GAIN0
Initial Value	0	0	0	0	0	0	0	0

B7, B6, B5Side tone path gain setting (refer to Table 3)

B4Tone generator ON/OFF 0: OFF 1: ON

B3, B2, B1, B0Tone generator gain adjustment for receive side (refer to Table 4)

Table 3 Side Tone Gain Settings

B7	B6	B5	Side Tone Path Gain
0	0	0	OFF
0	0	1	-15 dB
0	1	0	-13 dB
0	1	1	-11 dB
1	0	0	-9 dB
1	0	1	-7 dB
1	1	0	-5 dB
1	1	1	-3 dB

Table 4 Receive Side Tone Generator Gain Settings

B3	B2	B1	B0	Tone Generator Gain	B3	B2	B1	B0	Tone Generator Gain
0	0	0	0	OFF	1	0	0	0	-20 dB
0	0	0	1	-34 dB	1	0	0	1	-18 dB
0	0	1	0	-32 dB	1	0	1	0	-16 dB
0	0	1	1	-30 dB	1	0	1	1	-14 dB
0	1	0	0	-28 dB	1	1	0	0	-12 dB
0	1	0	1	-26 dB	1	1	0	1	-10 dB
0	1	1	0	-24 dB	1	1	1	0	-8 dB
0	1	1	1	-22 dB	1	1	1	1	-6 dB

The receive side tone generator gain settings shown in Table 4 are referenced to the following levels as a reference.

DTMF tones (low group): +4 dBm0

DTMF tones (high group) and others tones: . +6 dBm0

For example, if the tone generator gain set value is set to -6 dB (B3, B2, B1, B0) = (1, 1, 1, 1), then tones at the following levels are output at EXTO.

DTMF tone (low group): -2 dBm0

DTMF tone (high group) and other tones:..... 0 dBm0

CR4 (Tone generator operating mode and frequency select)

	B7	B6	B5	B4	B3	B2	B1	B0
CR4	DTMF/ Others SEL	TONE SEND	—	TONE4	TONE3	TONE2	TONE1	TONE0
Initial Value	0	0	0	0	0	0	0	0

B7DTMF or other tones select 0: Others 1: DTMF
 B6Tone transmit enable (Transmit side) 0: Voice signal transmit 1: Tone transmit
 B5Not used. When writing data, write "0".
 B4, B3, B2, B1, B0 ..Tone frequency setting (refer to Tables 5-1 and 5-2)

(a) B7 = 1 (DTMF tone)

Table 5-1 Tone Generator Frequency Settings

B4	B3	B2	B1	B0	Frequency	B4	B3	B2	B1	B0	Frequency
*	0	0	0	0	697 Hz + 1209 Hz	*	1	0	0	0	852 Hz + 1209 Hz
*	0	0	0	1	697 Hz + 1336 Hz	*	1	0	0	1	852 Hz + 1336 Hz
*	0	0	1	0	697 Hz + 1477 Hz	*	1	0	1	0	852 Hz + 1477 Hz
*	0	0	1	1	697 Hz + 1633 Hz	*	1	0	1	1	852 Hz + 1633 Hz
*	0	1	0	0	770 Hz + 1209 Hz	*	1	0	0	0	941 Hz + 1209 Hz
*	0	1	0	1	770 Hz + 1336 Hz	*	1	1	0	1	941 Hz + 1336 Hz
*	0	1	1	0	770 Hz + 1477 Hz	*	1	1	1	0	941 Hz + 1477 Hz
*	0	1	1	1	770 Hz + 1633 Hz	*	1	1	1	1	941 Hz + 1633 Hz

*Undefined

(b) B7 = 0 (Other tones)

Table 5-2 Tone Generator Frequency Settings

B4	B3	B2	B1	B0	Frequency	B4	B3	B2	B1	B0	Frequency
0	0	0	0	0	2730 Hz/2500 Hz 8 Hz wamb.	1	0	0	0	0	1200 Hz
0	0	0	0	1	2000 Hz/2667 Hz 8 Hz wamb.	1	0	0	0	1	1300 Hz
0	0	0	1	0	1000 Hz/1333 Hz 8 Hz wamb.	1	0	0	1	0	
0	0	0	1	1	—	1	0	0	1	1	1477 Hz
0	0	1	0	0	—	1	0	1	0	0	1633 Hz
0	0	1	0	1	—	1	0	1	0	1	2000 Hz
0	0	1	1	0	—	1	0	1	1	0	2100 Hz
0	0	1	1	1	—	1	0	1	1	1	
0	1	0	0	0	—	1	1	0	0	0	2400 Hz
0	1	0	0	1	400 Hz	1	1	0	0	1	
0	1	0	1	0	440 Hz	1	1	0	1	0	2500 Hz
0	1	0	1	1	480 Hz	1	1	0	1	1	
0	1	1	0	0	—	1	1	1	0	0	
0	1	1	0	1	667 Hz	1	1	1	0	1	2700 Hz
0	1	1	1	0	800 Hz	1	1	1	1	0	
0	1	1	1	1	1000 Hz	1	1	1	1	1	3000 Hz

CR5 (Regulator control, General purpose driver control)

	B7	B6	B5	B4	B3	B2	B1	B0
CR5	GP1 SEL CR/TONE	—	RG2PDN	RG1PDN	GP4C	GP3C	GP2C	GP1C
Initial Value	0	0	0	0	0	0	0	0

- B7 Selection of how to control General purpose driver 1.
0: Control register CR5-B0 1: GP1 is controlled by a sign bit of the receiver.
- B6 Not used
- B5 Power down control for Regulator 2
0: Power down 1: Power on
When using this data, set the RG2PDN pin at a "L" level.
- B4 Power down control for Regulator 1
0: Power down 1: Power on
When using this data, set the RG1PDN pin at a "L" level.
- B3, B2, B1, B0 General purpose driver control
0: Off (high impedance) 1: On ("L" output)

CR6 (VOX function control)

	B7	B6	B5	B4	B3	B2	B1	B0
CR6	VOX ON/OFF	ON LVL1	—	—	—	—	—	—
Initial Value	0	0	*	0	0	0	0	0

- B7 Voice/silence detect function ON/ OFF 0: OFF 1: ON
If B7 is set to a logic "1", B3 should be set to a logic "1".
- B6 Voice detector level setting
0: -26 dBm0 1: -38 dBm0
- B5 Reserved bit. When writing data, write "0".
- B4, B3, B2, B1, B0 Not used. When writing data, write "0".

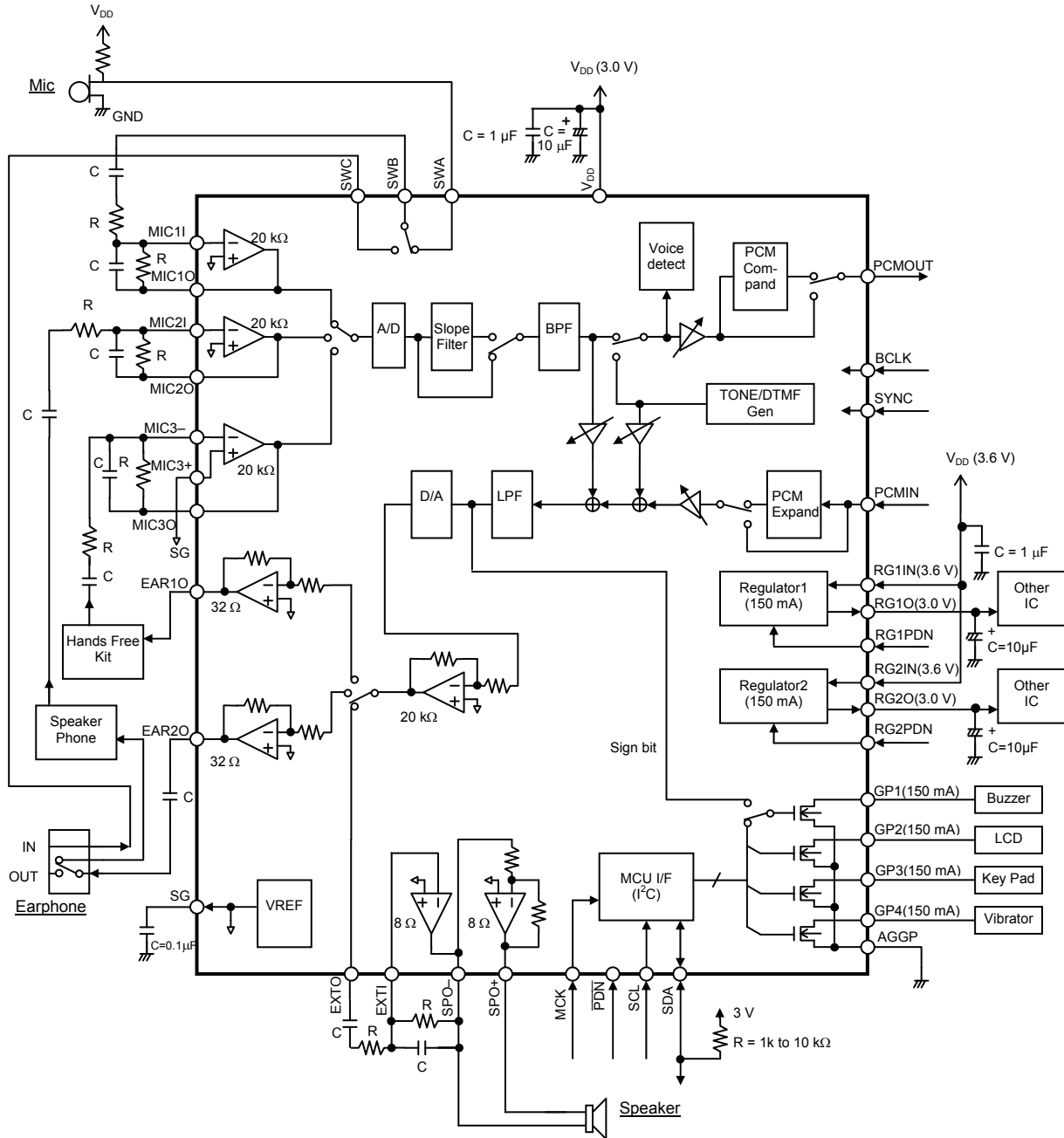
CR7 (Detect register, read only)

	B7	B6	B5	B4	B3	B2	B1	B0
CR7	VOX OUT	TX Noise Level1	TX Noise Level0	—	—	—	—	—
Initial Value	0	0	0	*	*	*	*	*

*Used for testing the device and undefined

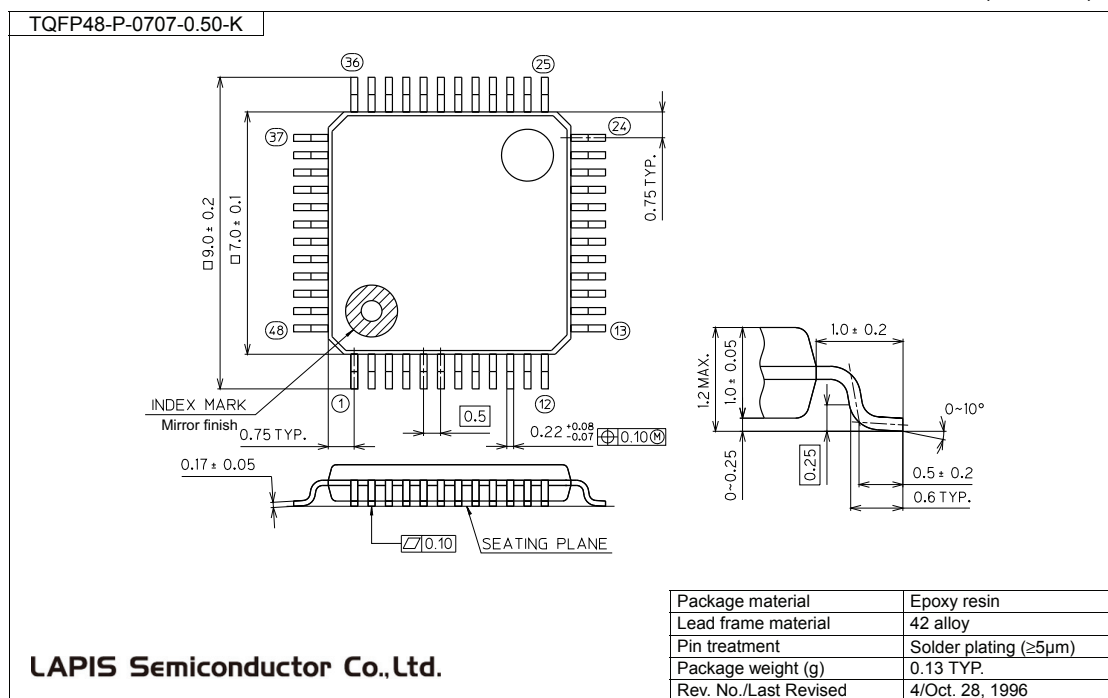
- B7 Transmit side voice/silence detection 0: silence 1: voice detect
- B6, B5 Transmit side silence detect level (indicator)
(0,0): Below -50 dBm0 (0,1): -40 to -50 dBm0
(1,0): -30 to -40 dBm0 (1,1): Above -30 dBm0
Note: These outputs are enabled only when the VOX (CR6-B7) = "1".
- B4, B3, B2, B1, B0 Not used

APPLICATION CIRCUIT



PACKAGE DIMENSIONS

(Unit: mm)



Notes for Mounting the Surface Mount Type Package

The surface mount type packages are very susceptible to heat in reflow mounting and humidity absorbed in storage.

Therefore, before you perform reflow mounting, contact ROHM's responsible sales person for the product name, package name, pin number, package code and desired mounting conditions (reflow method, temperature and times).

REVISION HISTORY

Document No.	Date	Page		Description
		Previous Edition	Current Edition	
FEDL7041-01	Nov. 2000	—	—	1 st Edition
FEDL7041-02	Jun. 16, 2004	8	8	More clarification of PCMOUT output state
FEDL7041-03	Nov. 2, 2005	11	11	Addition of t_{SB}
		17	17	Addition of t_{SB} Addition of description about t_{XD1} and t_{SDX}
FEDL7041-04	Mar. 2, 2006	24	24	Addition of description about CR6-B3
FEDL7041-05	Dec. 3, 2007	14	14	Addition of t_{DS} , t_{DH}
		17	17	Corrected Figure 6 PCM Interface Timing Receive Side PCM Timing
		23	23	Addition of “—” to blanks in table 5-2 Tone Generator

NOTES

No copying or reproduction of this document, in part or in whole, is permitted without the consent of LAPIS Semiconductor Co., Ltd.

The content specified herein is subject to change for improvement without notice.

The content specified herein is for the purpose of introducing LAPIS Semiconductor's products (hereinafter "Products"). If you wish to use any such Product, please be sure to refer to the specifications, which can be obtained from LAPIS Semiconductor upon request.

Examples of application circuits, circuit constants and any other information contained herein illustrate the standard usage and operations of the Products. The peripheral conditions must be taken into account when designing circuits for mass production.

Great care was taken in ensuring the accuracy of the information specified in this document. However, should you incur any damage arising from any inaccuracy or misprint of such information, LAPIS Semiconductor shall bear no responsibility for such damage.

The technical information specified herein is intended only to show the typical functions of and examples of application circuits for the Products. LAPIS Semiconductor does not grant you, explicitly or implicitly, any license to use or exercise intellectual property or other rights held by LAPIS Semiconductor and other parties. LAPIS Semiconductor shall bear no responsibility whatsoever for any dispute arising from the use of such technical information.

The Products specified in this document are intended to be used with general-use electronic equipment or devices (such as audio visual equipment, office-automation equipment, communication devices, electronic appliances and amusement devices).

The Products specified in this document are not designed to be radiation tolerant.

While LAPIS Semiconductor always makes efforts to enhance the quality and reliability of its Products, a Product may fail or malfunction for a variety of reasons.

Please be sure to implement in your equipment using the Products safety measures to guard against the possibility of physical injury, fire or any other damage caused in the event of the failure of any Product, such as derating, redundancy, fire control and fail-safe designs. LAPIS Semiconductor shall bear no responsibility whatsoever for your use of any Product outside of the prescribed scope or not in accordance with the instruction manual.

The Products are not designed or manufactured to be used with any equipment, device or system which requires an extremely high level of reliability the failure or malfunction of which may result in a direct threat to human life or create a risk of human injury (such as a medical instrument, transportation equipment, aerospace machinery, nuclear-reactor controller, fuel-controller or other safety device). LAPIS Semiconductor shall bear no responsibility in any way for use of any of the Products for the above special purposes. If a Product is intended to be used for any such special purpose, please contact a ROHM sales representative before purchasing.

If you intend to export or ship overseas any Product or technology specified herein that may be controlled under the Foreign Exchange and the Foreign Trade Law, you will be required to obtain a license or permit under the Law.

Copyright 2011 LAPIS Semiconductor Co., Ltd.