

PLEASE CHECK WWW.MOLEX.COM FOR LATEST PART INFORMATION

Part Number: [0050361687](#)
Status: **Active**
Overview: [standard_093](#)
Description: 2.36mm (.093") Diameter Standard .093" Pin and Socket Receptacle Housing Without Mounting Ears, Positive Lock, 2 Circuits, Glow Wire Compatible

Documents:

| | |
|---|--|
| 3D Model | Drawing (PDF) |
| Packaging Specification (PDF) | RoHS Certificate of Compliance (PDF) |

Agency Certification

| | |
|-----|---------|
| CSA | LR19980 |
| UL | E29179 |

General

| | |
|----------------|---|
| Product Family | Crimp Housings |
| Series | 42191 |
| Comments | Polarized to Mating Part, Without Mounting Ears |
| Overview | standard_093 |
| Product Name | Standard .093" |

Physical

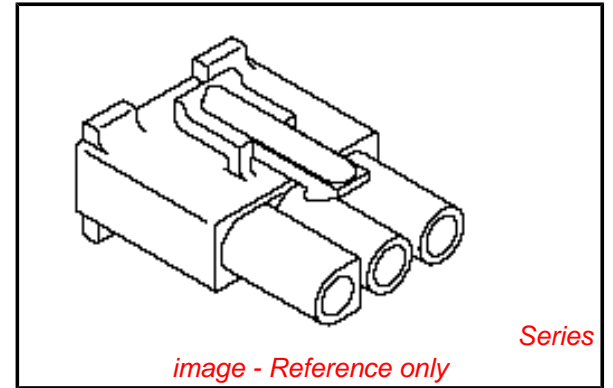
| | |
|-------------------------------|-----------------|
| Breakaway | No |
| Circuits (maximum) | 2 |
| Color - Resin | Black |
| Flammability | 94V-2 |
| Gender | Receptacle |
| Glow-Wire Compliant | Yes |
| Keying to Mating Part | None |
| Lock to Mating Part | Yes |
| Material - Resin | Nylon |
| Number of Rows | 1 |
| Packaging Type | Bag |
| Panel Mount | No |
| Pitch - Mating Interface (in) | 0.248 In |
| Pitch - Mating Interface (mm) | 6.30 mm |
| Pitch - Term. Interface (in) | 0.248 In |
| Pitch - Term. Interface (mm) | 6.30 mm |
| Polarized to Mating Part | Yes |
| Ports | 1 |
| Stackable | No |
| Temperature Range - Operating | -55°C to +105°C |

Material Info

| | |
|-----------------|-------------|
| Old Part Number | 42191-2R1-1 |
|-----------------|-------------|

Reference - Drawing Numbers

| | |
|---------------|--------------|
| Sales Drawing | SD-42191-002 |
|---------------|--------------|



EU RoHS

ELV and RoHS Compliant
REACH SVHC
Contains SVHC: No
Halogen-Free Status

China RoHS



Need more information on product environmental compliance?

Email productcompliance@molex.com
 For a multiple part number RoHS Certificate of Compliance, [click here](#)

Please visit the [Contact Us](#) section for any non-product compliance questions.

Search Parts in this Series

[42191Series](#)

Mates With

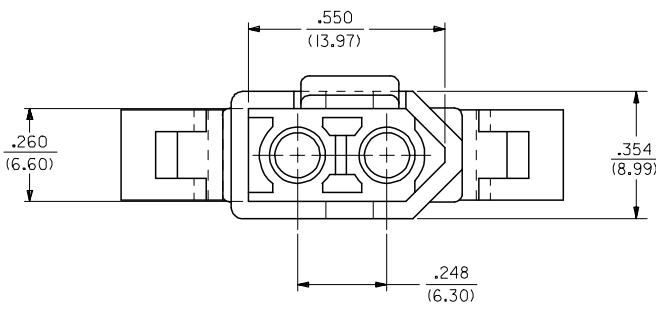
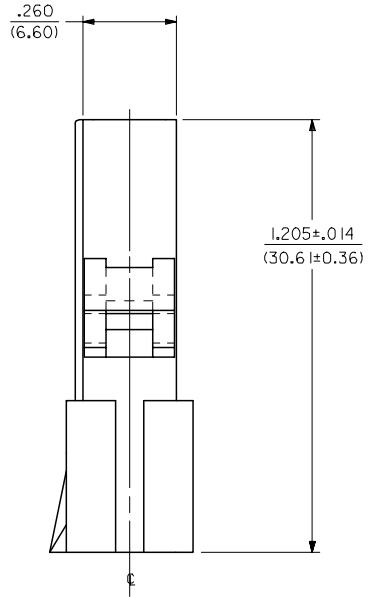
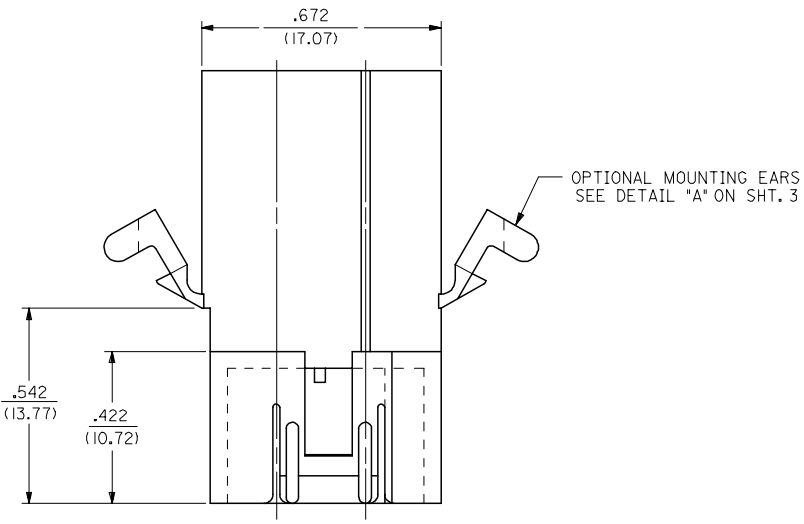
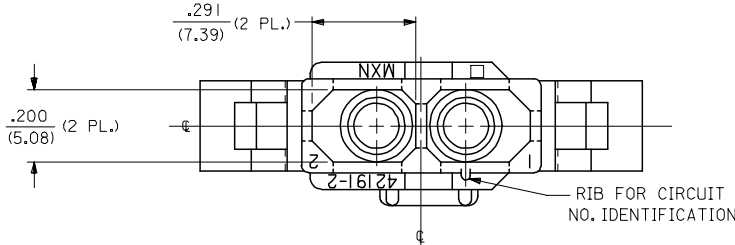
[42191](#) Pin and Socket Plug

Use With

[1189](#) Crimp Terminals, [1190](#) Crimp Terminals, [1380](#) Male Crimp Terminals, [1381](#) Female Crimp Terminals, [1433](#) Crimp Terminals, [1434](#) Male Crimp Terminals, [2605](#) , [2606](#) , [1973](#) , [2151](#) , [2273](#) , [2870](#) , [2871](#) , [4272](#) , Lin

13 12 11 10 9 8 7 6 5 4 3 2 1

J
I
H
G
F
E
D
C
B
A



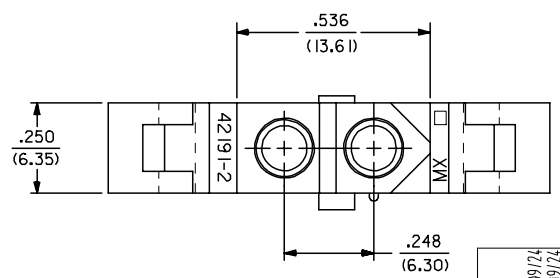
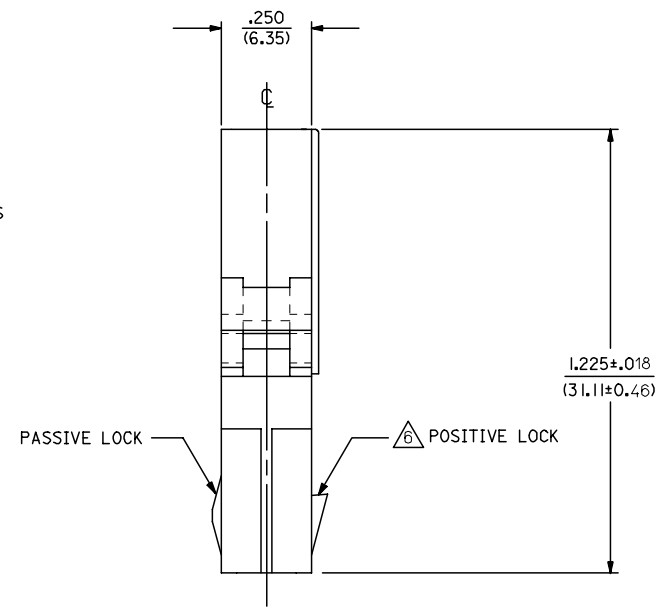
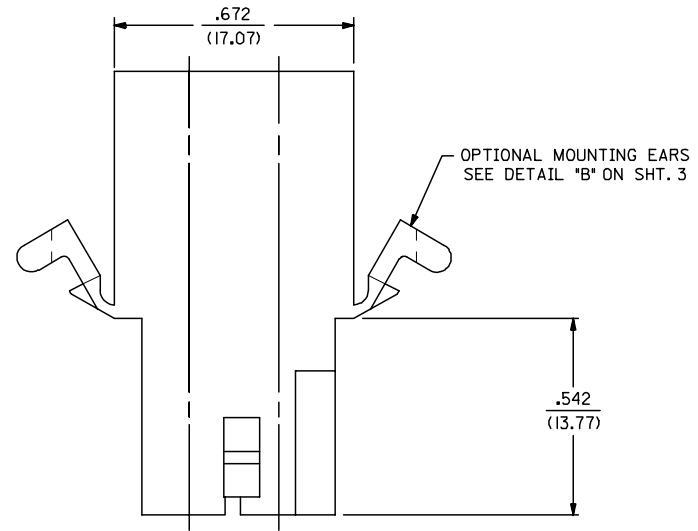
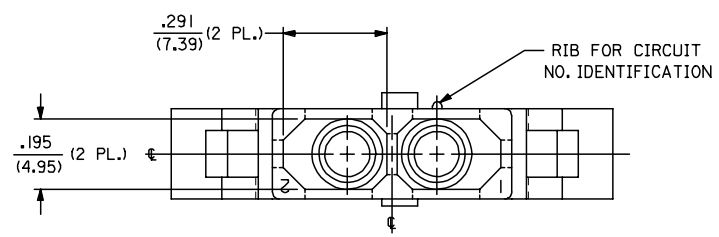
PLUG HOUSING

| | | | | | | | | | | | |
|--|--|---------------------------------------|------------------------|--------------------------|--------------------|---|----------------------|------------------------|---------------------|--|--|
| RELEASED FCC NO: UCP2007-2967 DRAWN/PRD/DR 2007/09/24 CHKD:LSH/MT 2007/09/24 APPR:FSM/TH 2007/09/25 REV A | DESCRIPTION QUALITY SYMBOLS ▽=0 ▽=0 | GENERAL TOLERANCES (UNLESS SPECIFIED) | | DIMENSION STYLE IN/MM | | SCALE 1:1 | DESIGN UNITS INCH | THIRD ANGLE PROJECTION | | | |
| | | 4 PLACES ± --- ± --- | 4 PLACES ± --- ± --- | DRAWN BY AELHAG | DATE 09/24/2007 | TITLE .093/(2.36) HOUSING G.W. PLUG AND RECEPTACLE 2 CIRCUIT | | | | | |
| | | 3 PLACES ± --- ± .010 | 3 PLACES ± --- ± .010 | CHECKED BY SCHMIDT | DATE 09/24/2007 | MOLEX INCORPORATED | | | | | |
| | | 2 PLACES ± 0.25 ± .014 | 2 PLACES ± 0.25 ± .014 | APPROVED BY FSMITH | DATE 09/24/2007 | MATERIAL NO. SD-42191-002 | | DOCUMENT NO. | SHEET NO. 1 OF 3 | | |
| 1 PLACE ± 0.36 ± --- | | ANGULAR ± 1 ° | | SEE CHART | | THIS DRAWING CONTAINS INFORMATION THAT IS PROPRIETARY TO MOLEX INCORPORATED AND SHOULD NOT BE USED WITHOUT WRITTEN PERMISSION | | | | | |

12 11 10 9 8 7 6 5 4 3 2 1

13 12 11 10 9 8 7 6 5 4 3 2 1

J
I
H
G
F
E
D
C
B
A



RECEPTACLE HOUSING

| | | | | | | | | | | | |
|---|-------------------------------|---|---------|--------------------------|--------------------|---|----------------------|------------------------|---------------------|--|--|
| RELEASED FC NO: UCP2007-2967 DRAWN/PRD/DR 2007/09/24 CHKD:LSHMDT 2007/09/24 APPR:FSMTH 2007/09/25 REV: A | QUALITY SYMBOLS ▽=0 ▽=0 | GENERAL TOLERANCES (UNLESS SPECIFIED) | | DIMENSION STYLE IN/MM | | SCALE 1:1 | DESIGN UNITS INCH | THIRD ANGLE PROJECTION | | | |
| | | 4 PLACES ± --- ± --- | mm INCH | DRAWN BY AELHAG | DATE 09/24/2007 | TITLE .093/(2.36) HOUSING G.W. PLUG AND RECEPTACLE 2 CIRCUIT | | | | | |
| | | 3 PLACES ± --- ± .010 | | CHECKED BY SCHMIDT | DATE 09/24/2007 | MOLEX INCORPORATED | | | | | |
| | | 2 PLACES ± 0.25 ± .014 1 PLACE ± 0.36 ± --- ANGULAR ±1/2° | | APPROVED BY FSMITH | DATE 09/24/2007 | MATERIAL NO. SD-42191-002 | | DOCUMENT NO. | SHEET NO. 2 OF 3 | | |
| DRAFT WHERE APPLICABLE MUST REMAIN WITHIN DIMENSIONS | | | | SEE CHART | | THIS DRAWING CONTAINS INFORMATION THAT IS PROPRIETARY TO MOLEX INCORPORATED AND SHOULD NOT BE USED WITHOUT WRITTEN PERMISSION | | | | | |

12 11 10 9 8 7 6 5 4 3 2 1

| PLUG | |
|------------|-------------|
| PART NO. | ENG. NO. |
| 50-36-1688 | 42191-2P1-1 |
| | |
| | |

| RECEPTACLE | |
|------------|-------------|
| PART NO. | ENG. NO. |
| 50-36-1687 | 42191-2R1-1 |
| | |
| | |

LEGEND: PLUG

42 191- *P***

CIRCUIT SIZE

P = PLUG

BLANK = WITH PREBENT EARS
I = WITHOUT EARS

BLANK = BLACK COLOR
W = WHITE

MATERIAL:
1 = PA6 NYLON, UL94V-0

LEGEND: RECEPTACLE

42 191- *R***

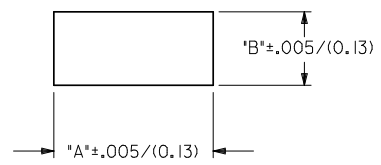
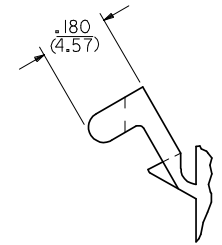
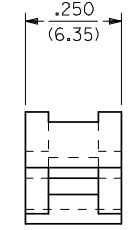
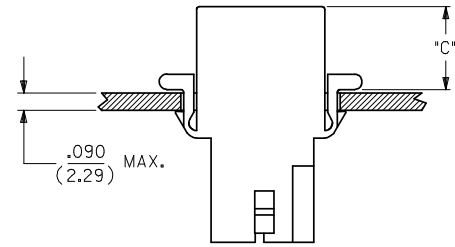
CIRCUIT SIZE

R = RECEPTACLE

BLANK = WITH PREBENT EARS, POSITIVE LOCK
1 = WITHOUT EARS, POSITIVE LOCK
2 = WITH PREBENT EARS, PASSIVE LOCK
3 = WITHOUT EARS, PASSIVE LOCK

BLANK = BLACK COLOR
W = WHITE

MATERIAL:
1 = PA6 NYLON, UL94V-0



RECOMMENDED PANEL MOUNTING HOLE

| HOUSING | DIM. "A" | DIM. "B" | DIM. "C" |
|------------|--------------|-------------|------------|
| PLUG | .831/(21.11) | .385/(9.78) | .44/(11.2) |
| RECEPTACLE | .831/(21.11) | .335/(8.51) | .46/(11.7) |

DETAIL "A"

PREBENT MOUNTING EAR
SCALE 4:1

NOTES:

- MATERIAL: 1 = UL94V-0, PA6 NYLON, IEC 60335-1, 4TH EDITION, GLOW WIRE CAPABLE.
- FINISH: NONE.
- PRODUCT SPECIFICATION: NONE.
- PACKAGING INFORMATION: NONE.
- PART ACCEPTS DOUBLE WIRE CRIMPS OF 18 AWG MAXIMUM. EACH CIRCUIT WILL ALLOW ONE OF THE WIRES TO HAVE AN INSULATION THICKNESS OF .062/(1.57), THE OTHER HAVING AN INSULATION THICKNESS OF .031/(0.79).
- LOCK RAMP STYLE IS OPTIONAL ON THIS SIDE OF PART. CHOICE OF EITHER A POSITIVE LOCK RAMP OR A PASSIVE LOCK RAMP IS AVAILABLE.
- PARTS CONFORM TO CLASS 'B' REQUIREMENTS OF COSMETIC SPECIFICATION PS-45499-002 BUT, MEETS CLASS 'C' REQUIREMENTS FOR SINK AND DISCOLORATION.

| | | | | | | | | | |
|--|-------------------------------|---|---|---------------------------------|---------------------|---|-------------------------------------|----------------------------|--|
| CORRECT EDP NO'S EC NO: UCP2009-0468 DRWN: AELHAG 2008/08/22 CHKD: HKIPPER 2008/08/26 APPR: FSMITH 2008/08/27 | QUALITY SYMBOLS ▽=0 ▽=0 | GENERAL TOLERANCES (UNLESS SPECIFIED) | | DIMENSION STYLE IN/MM | SCALE 1:1 | DESIGN UNITS INCH | THIRD ANGLE PROJECTION | | |
| | | 4 PLACES ± --- ± --- 3 PLACES ± --- ± .010 2 PLACES ± 0.25 ± .014 1 PLACE ± 0.36 ± --- | mm INCH ± --- ± --- ± .010 ± .014 ± --- | DRAWN BY AELHAG | DATE 09/24/2007 | TITLE .093/(2.36) HOUSING, PLUG AND RECEPTACLE, 2 CIRCUIT | | | |
| | | ANGULAR ± 1 ° | | CHECKED BY LSCHMIDT | DATE 09/24/2007 | MOLEX INCORPORATED | | | |
| | | DRAFT WHERE APPLICABLE MUST REMAIN WITHIN DIMENSIONS | | APPROVED BY FSMITH | DATE 09/24/2007 | MATERIAL NO. SEE CHART | DOCUMENT NO. SD-42191-002 | SHEET NO. 3 OF 3 | |