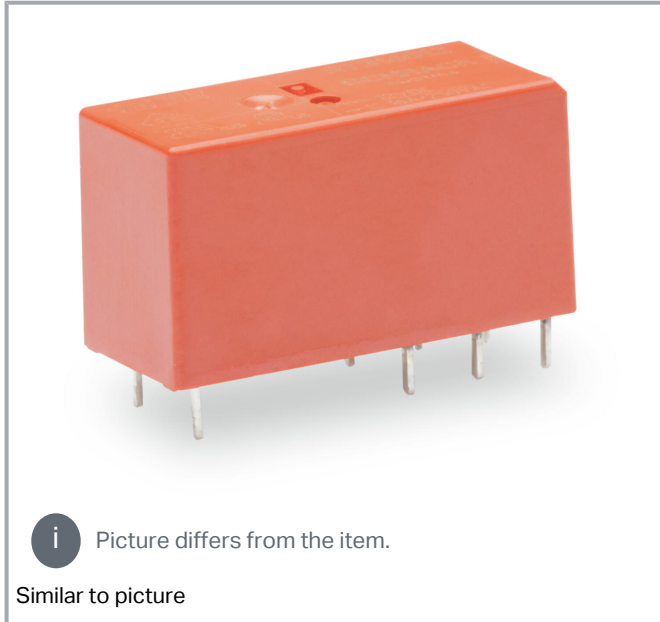


Data sheet | Item number: 788-174

Basic relay; Nominal input voltage: 115 VAC; 1 changeover contact; Limiting continuous current: 16 A; Module width: 13 mm; Module height: 15 mm

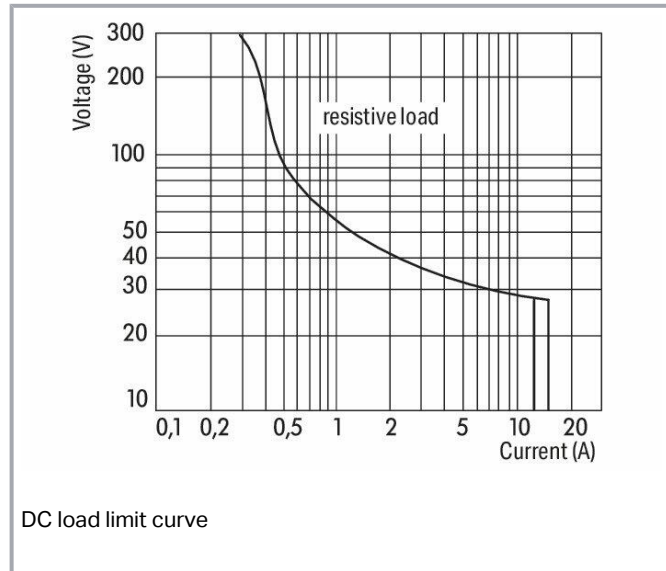
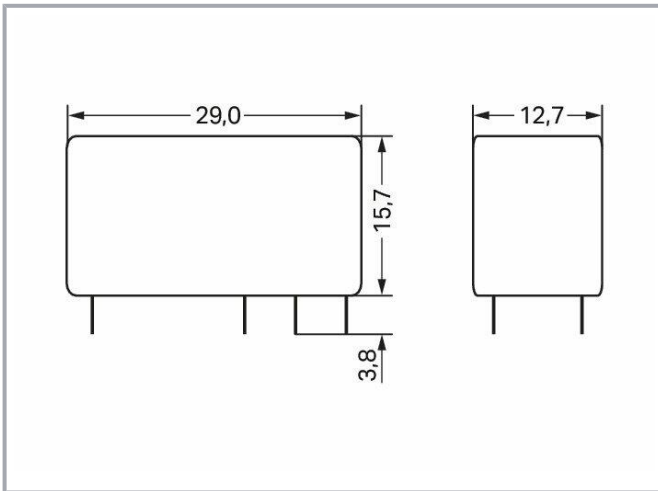
www.wago.com/788-174



Subject to changes. Please also observe the further product documentation!

WAGO Kontakttechnik GmbH & Co. KG
Hansastr. 27
32423 Minden
Phone: +49571 887-0 | Fax: +49571 887-169
Email: info.de@wago.com | Web: www.wago.com

Do you have any questions about our products?
We are always happy to take your call at +49 (571) 887-44222.



Data

Technical data

Control circuit

Nominal input voltage U_N AC 115 V

Load circuit

Number of changeover/switchover contacts	1
Contact material (relay)	AgNi 90/10
Limiting continuous current	16 A
Inrush current (resistive) (max.)	(AC) 30 A / 4 s
Switching voltage (max.)	AC 250 V
Switching power (resistive) (max.)	AC 4000 VA; DC (see load limit curve)
Switching capacity	AC-15: 6 A / AC 250 V; DC-13: 2 A / DC 24 V
Recommended minimum load	12 V / 10 mA
Pull-in time (typ.)	8 ms
Drop-out time (typ.)	6 ms
Bounce time (typ.)	6 ms
Electrical life (NO; resistive load; 23 °C)	30×10^3 switching operations
Mechanical life	30×10^6 switching operations
Switching frequency with/without load (max.)	6 min^{-1} / 1200 min^{-1}

Subject to changes. Please also observe the further product documentation!

Safety and protection

Dielectric strength, control/load circuit (AC, 1 min)	5 kVrms
Dielectric strength, open contact (AC, 1 min)	1 kVrms
Protection type	IP40

Physical data

Width	12.7 mm / 0.5 inch
Height from the surface	15.7 mm / 0.618 inch
Depth	29 mm / 1.142 inch

Mechanical data

Mounting type	Pluggable module
---------------	------------------

Material data

Weight	12.9 g
--------	--------

Environmental requirements

Surrounding air temperature (operation at U_N)	-40 ... 70 °C
Surrounding air temperature (storage)	-40 ... 85 °C

Standards and specifications

Standards/Specifications	EN 61810-1
--------------------------	------------

Commercial data

Product Group	6 (Interface Electronics)
PU (SPU)	20 Each
Packaging type	box
Country of origin	DE
GTIN	4050821867869
Customs tariff number	85364900990

Optional accessories

Sockets

Socket without relay

Subject to changes. Please also observe the further product documentation!



Item no.: 788-100

Relay socket; 1 changeover contact; for 15 mm basic relays; gray

www.wago.com/788-100

Downloads

Documentation

Bid Text

788-174 X81 - Datei	2019. 2. 19.	xml 3.6 kB	Download
------------------------	--------------	---------------	----------

788-174 docx - Datei	2019. 2. 20.	docx 15.6 kB	Download
-------------------------	--------------	-----------------	----------

Additional Information

Disposal; Electrical and electronic equipment, Packaging	V 1.0.0	pdf 265.8 kB	Download
--	---------	-----------------	----------

CAD/CAE-Data

CAE data

WSCAD Universe 788-174		URL	Download
------------------------	--	-----	----------

Environmental Product Compliance

Compliance Search

Environmental Product Compliance 788-174		URL	Download
--	--	-----	----------

Basic relay; Nominal input voltage: 115 VAC; 1 changeover contact; Limiting continuous current: 16 A; Module width: 13 mm; Module height: 15 mm

Installation Notes

Subject to changes. Please also observe the further product documentation!