

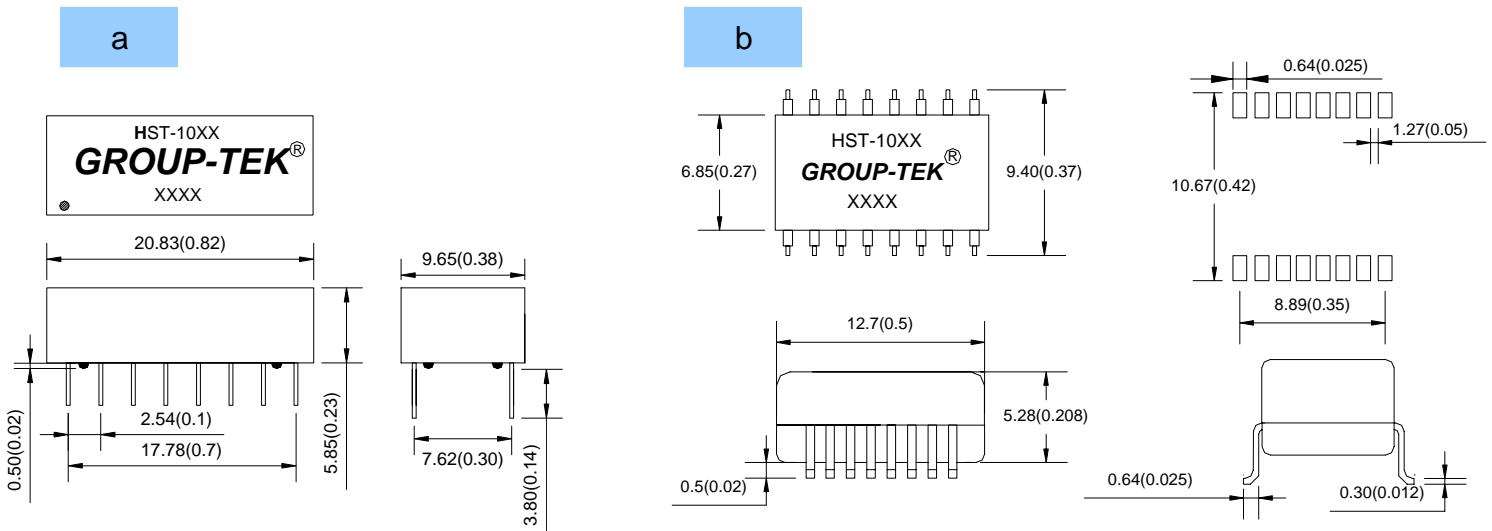
10/100BASE-TX TRANSFORMER MODULES For Auto MDI/MDIX Applications

FEATURES

- Designed to meet IEEE 802.3 requirements
- Designed for multiport repeater & ethernet switching hub application
- Environmental Designed to meet IR 250 degree C for 1minute
- Primary inductance (LP):350uH,min.@100KHz 0.1Vrms 8mA

		Electrical Specification@25				Operating Temperature 0 to 70									
Part No.	Turn Ratio RX.TX	Insertion Loss (dB max) 0.1-100MHz	Return Loss(dB min .) MHz				CMRR (dB typ.) MHz		Crosstalk (dB min .) MHz				Isolation Voltage (Vrms)	Package /Schematic	
			2-30	40	50	60-80	1-60	60-200	0.1	30	60	100			
HST-1025D	1CT:1CT 1CT:1CT	-1.0	-18	-14.4	-13.1	-12	-37	-25	-55	-45	-40	-33	1500	a/C	
HST-1026D	1CT:1CT 1CT:1CT	-1.0	-18	-14.4	-13.1	-12	-37	-25	-55	-45	-40	-33	1500	a/A	
HST-1027D	1CT:1CT 1CT:1CT	-1.0	-18	-14.4	-13.1	-12	-37	-25	-55	-45	-40	-33	1500	a/B	
HST-1027S	1CT:1CT 1CT:1CT	-1.0	-18	-14.4	-13.1	-12	-37	-25	-55	-45	-40	-33	1500	b/E	
HST-1028D	1CT:1CT 1CT:1CT	-1.0	-18	-14.4	-13.1	-12	-37	-25	-55	-45	-40	-33	1500	a/D	
HST-1029D	1CT:1CT 1CT:1CT	-1.1	-18	-14.4	-13.1	-12	-37	-25	-55	-45	-40	-33	1500	a/F	

Dimension: mm(inch)+/-0.25(0.01)

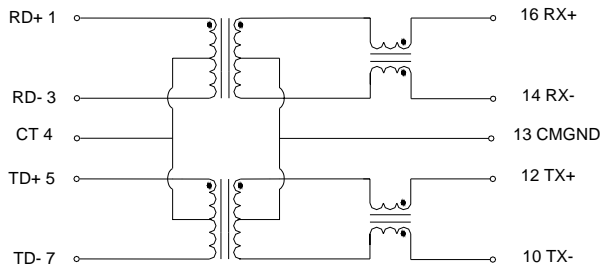


10/100BASE-TX TRANSFORMER MODULES

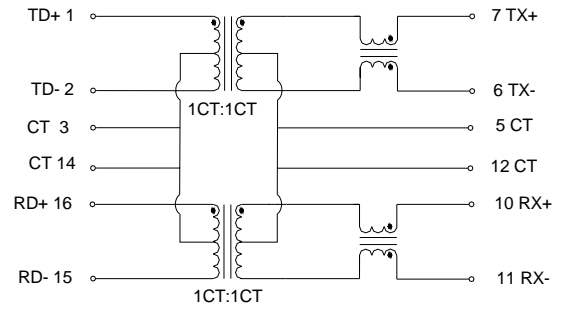
For Auto MDI/MDIX Applications

Schematic

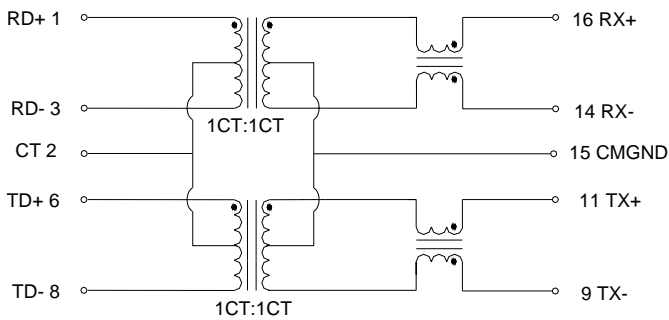
A



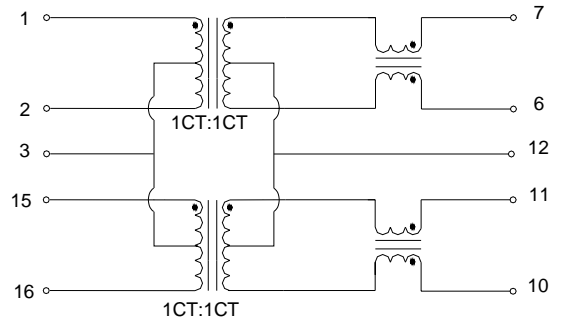
B



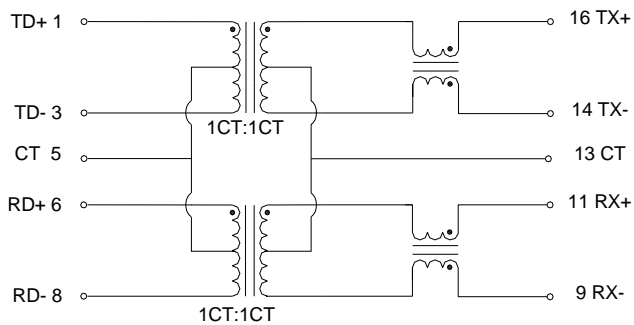
C



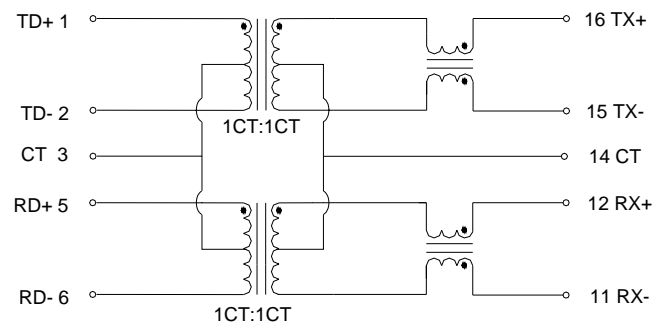
D



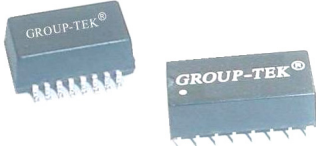
E



F



10/100BASE-TX TRANSFORMER MODULES For Auto MDI/MDIX Applications



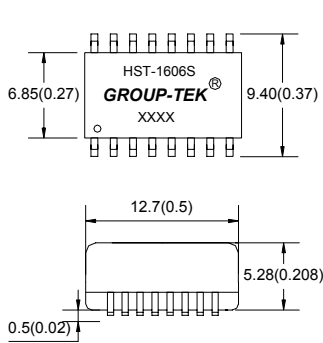
Features

- Designed to meet IEEE 802.3 requirements
- Designed for multiport repeater & ethernet switching hub application
- Environmental Designed to meet IR 250 degree C for 1minute
- Primary inductance (LP):350uH,min.@100KHz 0.1Vrms 8mA

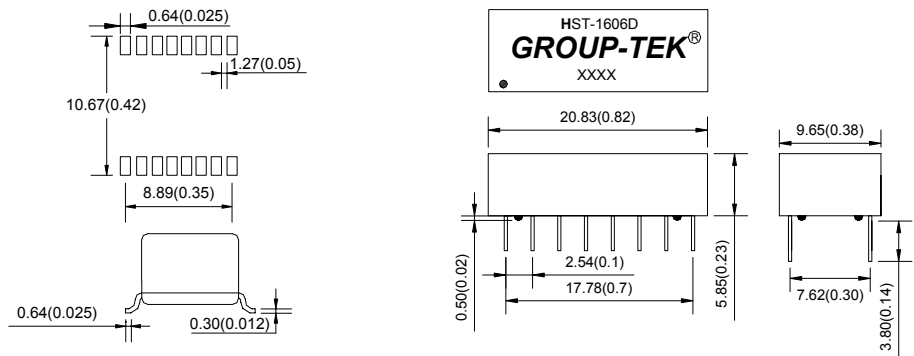
Part No.	Turn Ratio RX.TX .		Electrical Specification@25°C					Operating Temperature 0 to 70°C					Isolation Volage (Vrms)	
			Insertion loss (dB max)	Return loss(dB min .)				CMRR (dB typ .)		Crosstalk (dB min .)				
				MHz				MHz		MHz				
				0.1-100MHz	2-30	40	50	60-80	1-60	60-200	0.1	30		60
HST-1606S	1:1	1:1	-1.0	-18	-14.4	-13.1	-12	-40	-35	-65	-50	-40	-35	1500
HST-1606D	1:1	1:1	-1.0	-18	-14.4	-13.1	-12	-40	-35	-65	-50	-40	-35	1500

Dimension: mm(inch)+/-0.25(0.01)

HST-1606S



HST-1606D



Schematic

