

# RL-1329

## COMMON MODE CHOKES

### U-CORE DESIGN

#### DESCRIPTION

- Common Mode Chokes
- U-Core Design

#### ENVIRONMENTAL DATA

- Storage temperature range: -55°C to +130°C
- Operating temperature range: -55°C to +130°C

#### PACKAGING INFORMATION

- Packaging information: pg. 493

#### FEATURES & APPLICATIONS

- Wide range of standard inductances with current ratings up to 35 A
- Leads are pre-tinned for ease of soldering in PCB mounting applications
- Typical applications include: filters, SCR and TRIAC controls, power supplies, and RFI suppression
- Windings balanced within 1%
- At +80°C ambient, +40°C rise
- Dielectric withstanding voltage rated at 2500 VAC line to line

Verify operation with sample in actual circuit. Order samples at [www.rencousa.com](http://www.rencousa.com).

#### MECHANICAL DIMENSIONS

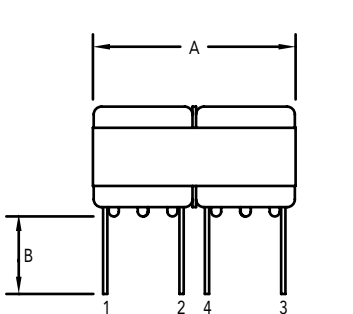
U.S. Standard (mm)

PART NUMBER	A (MAX.)	B (MIN.)	C (MAX.)	D (MAX.)	E (REF.)	F (REF.)
RL-1329	1.397 (35.48)	0.500 (12.70)	1.660 (42.16)	0.718 (18.23)	1.000 (25.40)	1.187 (30.15)

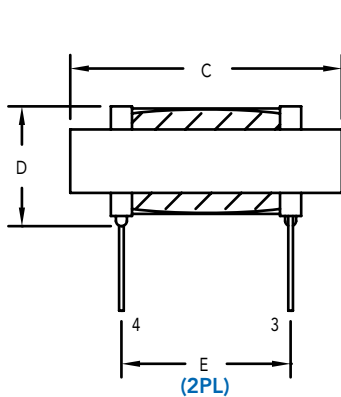
PART NUMBER	PART WEIGHT
RL-1329	65.0g (2.29oz)

G (REF.)	H (REF.)
1.000 (25.40)	0.656 (16.66)

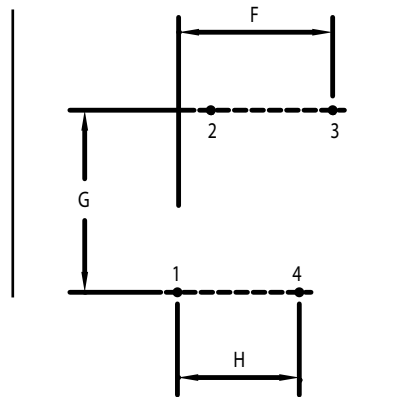
FRONT VIEW



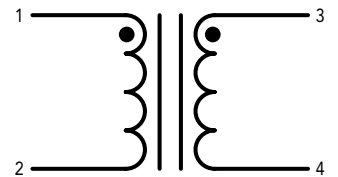
SIDE VIEW



RECOMMENDED PCB LAYOUT



SCHEMATIC



# RL-1329-2, RL-1329-3

Renco Part No. RL-1329-2	Inductance ( $\mu$ H)	DCR Max. (Ohms)	Leakage Inductance ( $\mu$ H) Max.
RL-1329-2-47	47.0	0.021	5.0
RL-1329-2-68	68.0	0.022	6.0
RL-1329-2-100	100.0	0.025	10.0
RL-1329-2-150	150.0	0.031	20.0
RL-1329-2-220	220.0	0.035	30.0
RL-1329-2-330	330.0	0.044	55.0
RL-1329-2-470	470.0	0.048	75.0
RL-1329-2-680	680.0	0.058	90.0
RL-1329-2-1000	1000.0	0.072	100.0
RL-1329-2-1500	1500.0	0.077	110.0
RL-1329-2-1800	1800.0	0.095	130.0
RL-1329-2-2200	2200.0	0.099	138.0
RL-1329-2-3300	3300.0	0.121	210.0
RL-1329-2-4700	4700.0	0.132	242.0
RL-1329-2-6800	6800.0	0.176	418.0
RL-1329-2-10000	10000.0	0.216	627.0
RL-1329-2-12000	12000.0	0.242	781.0
RL-1329-2-15000	15000.0	0.355	924.0
RL-1329-2-18000	18000.0	0.500	1100.0
RL-1329-2-22000	22000.0	0.555	1430.0

Renco Part No. RL-1329-3	Inductance ( $\mu$ H)	DCR Max. (Ohms)	Leakage Inductance ( $\mu$ H) Max.
RL-1329-3-47	47.0	0.010	5.0
RL-1329-3-68	68.0	0.011	6.0
RL-1329-3-100	100.0	0.013	7.0
RL-1329-3-150	150.0	0.017	11.0
RL-1329-3-220	220.0	0.021	17.0
RL-1329-3-330	330.0	0.024	22.0
RL-1329-3-470	470.0	0.027	30.0
RL-1329-3-680	680.0	0.034	42.0
RL-1329-3-1000	1000.0	0.041	57.0
RL-1329-3-1500	1500.0	0.052	88.0
RL-1329-3-2200	2200.0	0.062	132.0
RL-1329-3-3300	3300.0	0.074	190.0
RL-1329-3-4700	4700.0	0.120	264.0
RL-1329-3-6800	6800.0	0.185	410.0

**NOTES:**

1. ELECTRICAL SPECIFICATIONS MEASURED AT 25°C
2.  $I_{rms}$  - 3 Amps
3.  $I_{rms}$  - CURRENT THAT CAUSES THE TEMPERATURE TO RISE APPROX. 40°C ABOVE AMBIENT OF 25°C
4. INDUCTANCE VALUES  $\pm$  25% TESTED AT 1 kHz, 1.0 Vrms

**NOTES:**

1. ELECTRICAL SPECIFICATIONS MEASURED AT 25°C
2.  $I_{rms}$  - 2 Amps
3.  $I_{rms}$  - CURRENT THAT CAUSES THE TEMPERATURE TO RISE APPROX. 40°C ABOVE AMBIENT OF 25°C
4. INDUCTANCE VALUES  $\pm$  25% TESTED AT 1 kHz, 1.0 Vrms



**RENCO ELECTRONICS INC.**

595 International Place, Rockledge, FL 32955-4200 USA • www.rencousa.com • ISO 9001 Certified  
Toll Free Engineering Hot Line: 800.645.5828 • P: 321.637.1000 • F: 321.637.1600



# RL-1329-5, RL-1329-10

Renco Part No. RL-1329-5	Inductance ( $\mu$ H)	DCR Max. (Ohms)	Leakage Inductance ( $\mu$ H) Max.
RL-1329-5-47	47.0	0.009	6.0
RL-1329-5-68	68.0	0.010	8.0
RL-1329-5-100	100.0	0.011	10.0
RL-1329-5-120	120.0	0.012	13.0
RL-1329-5-150	150.0	0.013	16.0
RL-1329-5-180	180.0	0.014	18.0
RL-1329-5-220	220.0	0.015	20.0
RL-1329-5-270	270.0	0.016	30.0
RL-1329-5-330	330.0	0.017	35.0
RL-1329-5-390	390.0	0.018	45.0
RL-1329-5-470	470.0	0.019	55.0
RL-1329-5-560	560.0	0.021	65.0
RL-1329-5-680	680.0	0.023	75.0
RL-1329-5-820	820.0	0.025	80.0
RL-1329-5-1000	1000.0	0.029	85.0
RL-1329-5-1200	1200.0	0.031	90.0
RL-1329-5-1500	1500.0	0.034	100.0
RL-1329-5-1800	1800.0	0.036	110.0
RL-1329-5-2200	2200.0	0.042	121.0
RL-1329-5-2700	2700.0	0.058	143.0
RL-1329-5-3300	3300.0	0.060	176.0
RL-1329-5-3900	3900.0	0.085	209.0
RL-1329-5-4700	4700.0	0.120	290.0
RL-1329-5-5600	5600.0	0.175	297.0

#### NOTES:

1. ELECTRICAL SPECIFICATIONS MEASURED AT 25°C
2.  $I_{rms}$  - 5 Amps
3.  $I_{rms}$  - CURRENT THAT CAUSES THE TEMPERATURE TO RISE APPROX. 40°C ABOVE AMBIENT OF 25°C
4. INDUCTANCE VALUES  $\pm$  25% TESTED AT 1 kHz, 1.0 Vrms

Renco Part No. RL-1329-10	Inductance ( $\mu$ H)	DCR Max. (Ohms)	Leakage Inductance ( $\mu$ H) Max.
RL-1329-10-47	47.0	0.0060	3.7
RL-1329-10-68	68.0	0.0065	4.8
RL-1329-10-100	100.0	0.0070	6.5
RL-1329-10-120	120.0	0.0080	7.5
RL-1329-10-150	150.0	0.0090	10.0
RL-1329-10-180	180.0	0.0100	12.0
RL-1329-10-270	270.0	0.0120	15.0
RL-1329-10-330	330.0	0.0130	17.0
RL-1329-10-390	390.0	0.0140	21.0
RL-1329-10-470	470.0	0.0150	25.0
RL-1329-10-560	560.0	0.0200	30.0
RL-1329-10-680	680.0	0.0230	37.0
RL-1329-10-820	820.0	0.0250	44.0
RL-1329-10-1000	1000.0	0.0280	57.0
RL-1329-10-1200	1200.0	0.0320	85.0

#### NOTES:

1. ELECTRICAL SPECIFICATIONS MEASURED AT 25°C
2.  $I_{rms}$  - 10 Amps
3.  $I_{rms}$  - CURRENT THAT CAUSES THE TEMPERATURE TO RISE APPROX. 40°C ABOVE AMBIENT OF 25°C
4. INDUCTANCE VALUES  $\pm$  25% TESTED AT 1 kHz, 1.0 Vrms



# RL-1329-15, RL-1329-22

Renco Part No. RL-1329-15	Inductance ( $\mu$ H)	DCR Max. (Ohms)	Leakage Inductance ( $\mu$ H) Max.
RL-1329-15-27	27.0	0.0035	4.0
RL-1329-15-47	47.0	0.0040	5.0
RL-1329-15-68	68.0	0.0045	6.0
RL-1329-15-100	100.0	0.0050	9.0
RL-1329-15-150	150.0	0.0055	11.0
RL-1329-15-180	180.0	0.0060	15.0
RL-1329-15-220	220.0	0.0070	17.0

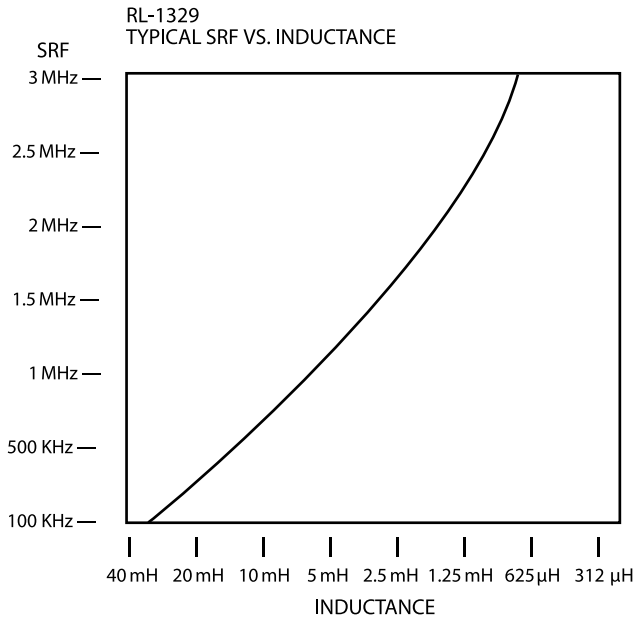
Renco Part No. RL-1329-22	Inductance ( $\mu$ H)	DCR Max. (Ohms)	Leakage Inductance ( $\mu$ H) Max.
RL-1329-22-6.8	6.8	0.0028	1.5
RL-1329-22-15	15.0	0.0030	1.8
RL-1329-22-27	27.0	0.0032	2.7
RL-1329-22-39	39.0	0.0036	3.5
RL-1329-22-56	56.0	0.0040	5.6
RL-1329-22-82	82.0	0.0045	6.7
RL-1329-22-100	100.0	0.0050	7.8

**NOTES:**

1. ELECTRICAL SPECIFICATIONS MEASURED AT 25°C
2. I<sub>rms</sub> - 15 Amps
3. I<sub>rms</sub> - CURRENT THAT CAUSES THE TEMPERATURE TO RISE APPROX. 40°C ABOVE AMBIENT OF 25°C
4. INDUCTANCE VALUES  $\pm$  25% TESTED AT 1 kHz, 1.0 V<sub>rms</sub>

**NOTES:**

1. ELECTRICAL SPECIFICATIONS MEASURED AT 25°C
2. I<sub>rms</sub> - 22 Amps
3. I<sub>rms</sub> - CURRENT THAT CAUSES THE TEMPERATURE TO RISE APPROX. 40°C ABOVE AMBIENT OF 25°C
4. INDUCTANCE VALUES  $\pm$  25% TESTED AT 1 kHz, 1.0 V<sub>rms</sub>



**RENCO ELECTRONICS INC.**

595 International Place, Rockledge, FL 32955-4200 USA • [www.rencousa.com](http://www.rencousa.com) • ISO 9001 Certified  
Toll Free Engineering Hot Line: 800.645.5828 • P: 321.637.1000 • F: 321.637.1600

