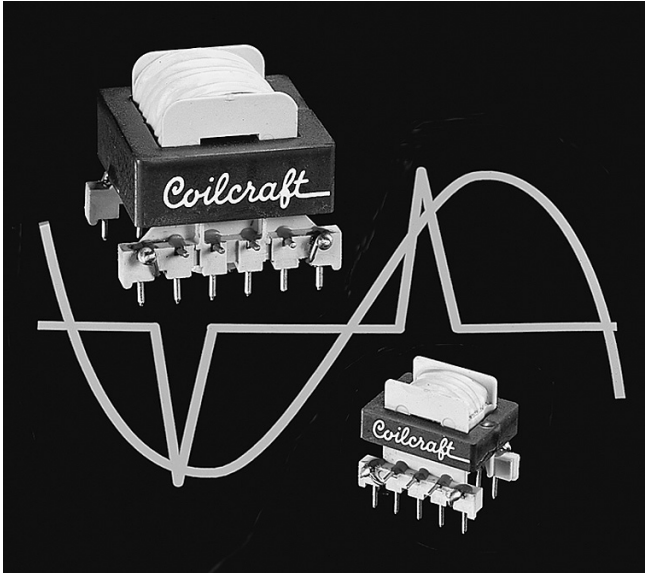




# Power Factor Controller Transformers



These parts are designed for use with Motorola MC33261 and MC34261 power factor controllers. They are specifically intended for use in AC-DC pre-converter circuits for electronic ballast and off-line switching power converter applications.

N2880-AL and N2881-AL utilize standard materials for lowest cost. Coilcraft can also supply custom transformers optimized for specific combinations of output power and input voltage.

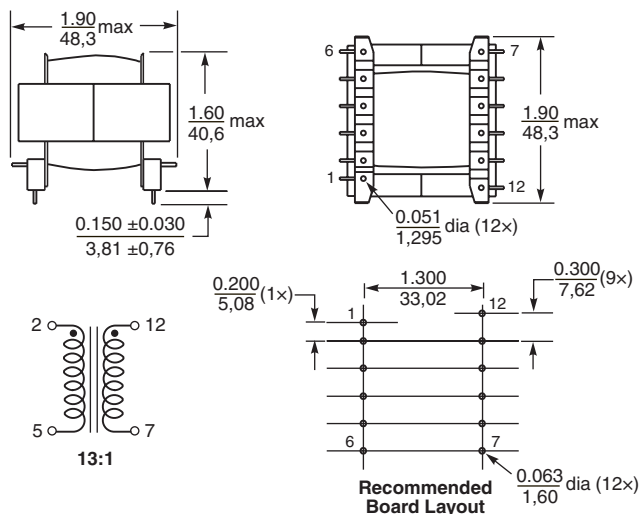
## N2880-AL

For output power up to 175 Watts  
For "universal" 110/220 V input voltage

**Inductance<sup>1</sup>:** Pins 2-5 960/780  $\mu$ H  
**DC resistance:** Pins 2-5 0.100 $\Omega$  max  
Pins 12-7 0.017 $\Omega$  max

**Isolation:** 500 Vrms between windings

1. Tested at 15.75 kHz, 1 Vrms.
2. Ambient temperature: -40°C to +85°C.
3. Electrical specifications at 25°C.



**Weight:** 176 g  
**Terminations:** Tin-silver over tin over copper  
**Packaging:** 36 per tray

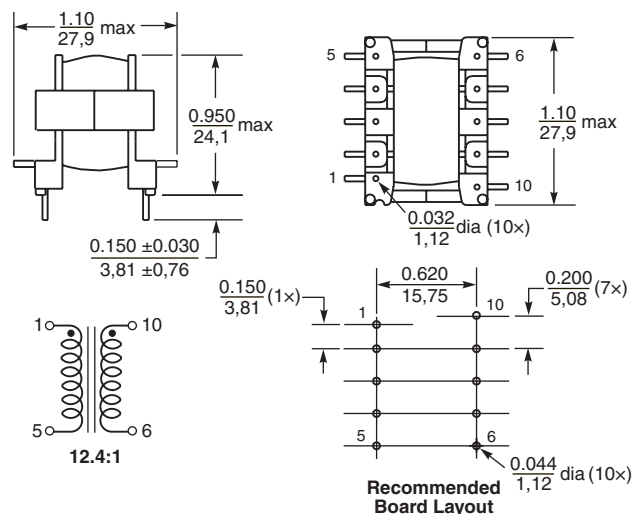
## N2881-AL

For output power up to 80 Watts  
For 110 V input voltage

**Inductance<sup>1</sup>:** Pins 1-5 350/290  $\mu$ H  
**DC resistance:** Pins 1-5 0.170 $\Omega$  max  
Pins 10-6 0.019 $\Omega$  max

**Isolation:** 500 Vrms between windings

1. Tested at 15.75 kHz, 0.2 Vrms.
2. Ambient temperature: -40°C to +85°C.
3. Electrical specifications at 25°C.



**Weight:** 22.2 g  
**Terminations:** Tin-silver over tin over copper  
**Packaging:** 30 per tray



www.coilcraft.com

**US** +1-847-639-6400 sales@coilcraft.com  
**UK** +44-1236-730595 sales@coilcraft-europe.com  
**Taiwan** +886-2-2264 3646 sales@coilcraft.com.tw  
**China** +86-21-6218 8074 sales@coilcraft.com.cn  
**Singapore** +65-6484 8412 sales@coilcraft.com.sg

Document 145 Revised 01/06/09

© Coilcraft Inc. 2013

This product may not be used in medical or high risk applications without prior Coilcraft approval. Specification subject to change without notice. Please check web site for latest information.