

VERSA-PAC INDUCTORS & TRANSFORMERS

- * Surface Mount with Six winding
- * Low radiated noise

- * Frequency range over 1MHz
- * 500 VAC Isolation winding to winding

ELECTRICAL SPECIFICATIONS AT 25°C

PART NUMBER	OCL ($\mu\text{H} \pm 20\%$)	Leak Ind μH (TYP)	Isat A (TYP)	I rms A (TYP)	DCR Ω (MAX)	Volt- μsec μVs (TYP)	E peak μJ (TYP)	Thermal Resistance (TYP)
PM-V011400	89.6 \pm 30%	0.10	0.06	0.85	0.145	21.8	0.11	60.5
PM-V010190	12.2 \pm 20%	0.10	0.43	.085	0.145	21.8	0.77	60.5
PM-V010102	6.5 \pm 20%	0.10	0.80	0.85	0.145	21.8	1.45	60.5
PM-V010076	4.9 \pm 20%	0.10	1.06	0.85	0.145	21.8	1.90	60.5
PM-V010059	3.8 \pm 20%	0.10	1.37	0.85	0.145	21.8	2.40	60.5
PM-V021400	201.6 \pm 30%	0.21	0.04	0.55	0.345	33.0	0.11	60.5
PM-V020190	27.4 \pm 20%	0.21	0.29	0.55	0.345	33.0	0.77	60.5
PM-V020102	6.5 \pm 20%	0.21	0.52	0.55	0.345	33.0	1.45	60.5
PM-V020076	10.9 \pm 20%	0.21	0.70	0.55	0.345	33.0	1.90	60.5
PM-V020059	8.5 \pm 20%	0.21	0.90	0.55	0.345	33.0	2.40	60.5
PM-V031600	078.4 \pm 3%	0.08	0.10	1.25	0.090	34.0	0.30	44.0
PM-V030216	10.6 \pm 20%	0.08	0.76	1.26	0.090	34.0	2.10	44.0
PM-V030116	5.7 \pm 20%	0.80	1.40	1.25	0.090	34.0	4.00	44.0
PM-V030083	4.1 \pm 20%	0.08	1.95	1.25	0.090	34.0	5.50	44.0
PM-V030066	3.2 \pm 20%	0.08	2.50	1.25	0.090	34.0	7.00	44.0
PM-V041600	160 \pm 30%	0.16	0.07	0.95	0.160	48.0	0.30	44.0
PM-V040216	21.6 \pm 20%	0.16	0.55	0.95	0.160	48.0	2.10	44.0
PM-V040116	11.6 \pm 20%	0.16	0.99	0.95	0.160	48.0	4.00	44.0
PM-V040083	8.3 \pm 20%	0.16	1.40	0.95	0.160	48.0	5.50	44.0
PM-V040066	6.6 \pm 20%	0.16	1.75	0.95	0.160	48.0	7.00	44.0
PM-V050780	63.2 \pm 30%	0.06	0.10	1.48	0.060	27.8	0.24	43.4
PM-V050138	11.2 \pm 20%	0.06	0.60	1.48	0.060	27.8	1.36	43.4
PM-V050084	6.8 \pm 20%	0.06	0.97	1.48	0.060	27.8	2.23	43.4
PM-V050055	4.5 \pm 20%	0.06	1.46	1.48	0.060	27.8	3.40	43.4
PM-V050047	3.8 \pm 20%	0.06	1.72	1.48	0.060	27.8	4.00	43.4
PM-V060780	132 \pm 20%	0.12	0.07	0.97	0.14	40.0	0.24	43.4
PM-V060138	23.3 \pm 20%	0.12	0.40	0.97	0.14	40.0	1.36	43.4
PM-V060084	14.2 \pm 20%	0.12	0.67	0.97	0.14	40.0	2.23	43.4
PM-V060055	9.3 \pm 20%	0.12	1.00	0.97	0.14	40.0	3.40	43.4
PM-V060047	7.9 \pm 20%	0.12	1.20	0.97	0.14	40.0	4.00	43.4
PM-V070860	69.7 \pm 20%	0.08	0.15	1.70	0.06	45.0	0.57	39.0
PM-V070140	11.3 \pm 20%	0.08	0.95	1.70	0.06	45.0	3.50	39.0
PM-V070075	6.1 \pm 20%	0.08	1.75	1.70	0.06	45.0	6.50	39.0
PM-V070060	4.9 \pm 20%	0.08	2.18	1.70	0.06	45.0	8.20	39.0
PM-V070047	3.8 \pm 20%	0.08	2.80	1.70	0.06	45.0	10.5	39.0

Specifications subject to change without notice.

pm-vxxxx



VERSA-PAC INDUCTORS & TRANSFORMERS

- * Radial Format
- * Low DC Resistance

- * PCB Package
- * Fully Tinned Leads

ELECTRICAL SPECIFICATIONS AT 25°C

PART NUMBER	OCL ($\mu\text{H} \pm 20\%$)	Leak Ind μH (TYP)	Isat A (TYP)	I rms A (TYP)	DCR Ω (MAX)	Volt- μsec μVs (TYP)	E peak μJ (TYP)	Thermal Resistance (TYP)
PM-V080860	145 \pm 30%	0.16	0.11	1.40	0.08	64.5	0.57	39.0
PM-V080140	23.7 \pm 20%	0.16	0.65	1.40	0.08	64.5	3.50	39.4
PM-V080075	12.7 \pm 20%	0.16	1.21	1.40	0.08	64.5	6.50	39.4
PM-V080060	10.1 \pm 20%	0.16	1.52	1.40	0.08	64.5	8.20	39.0
PM-V080047	7.94 \pm 20%	0.16	1.94	1.40	0.08	64.5	10.5	39.0
PM-V091200	76.8 \pm 30%	0.10	0.20	2.0	0.05	65.5	1.10	30.0
PM-V090155	9.90 \pm 20%	0.10	1.60	2.0	0.05	65.5	8.80	30.0
PM-V090083	5.30 \pm 20%	0.10	2.95	2.0	0.05	65.5	16.1	30.0
PM-V090067	4.30 \pm 20%	0.10	3.60	2.0	0.05	65.5	19.8	30.0
PM-V090053	3.40 \pm 20%	0.10	4.60	2.0	0.05	65.5	25.1	30.0
PM-V101200	173 \pm 30%	0.24	0.14	1.70	0.07	98.0	1.10	30.0
PM-V100155	22.3 \pm 20%	0.24	1.05	1.70	0.07	98.0	8.80	30.0
PM-V100083	12.0 \pm 20%	0.24	1.95	1.70	0.07	98.0	16.1	30.0
PM-V100067	9.65 \pm 20%	0.24	2.40	1.70	0.07	98.0	19.8	30.0
PM-V100053	7.63 \pm 20%	0.24	3.10	1.70	0.07	98.0	25.1	30.0
PM-V110175	175 \pm 30%	0.30	0.5	2.2	0.20	110		30.0
PM-V110050	50 \pm 20%	0.30	1.0	2.2	0.12	110		30.0
PM-V110025	25 \pm 20%	0.30	2.0	2.2	0.08	110		30.0
PM-V110015	15 \pm 20%	0.30	2.5	2.2	0.05	110		30.0
PM-V110010	10 \pm 20%	0.30	3.0	2.2	0.05	110		30.0

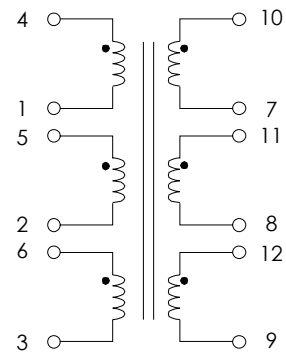
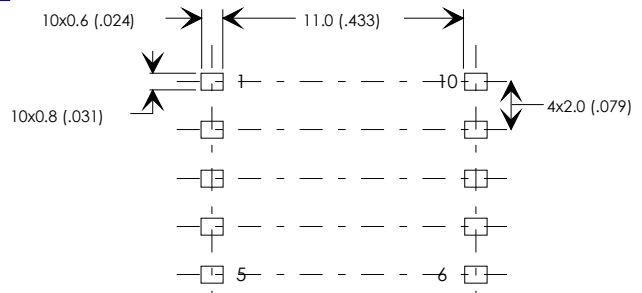
Specifications subject to change without notice.

pm-vxxxx

VERSA-PAC INDUCTORS & TRANSFORMERS

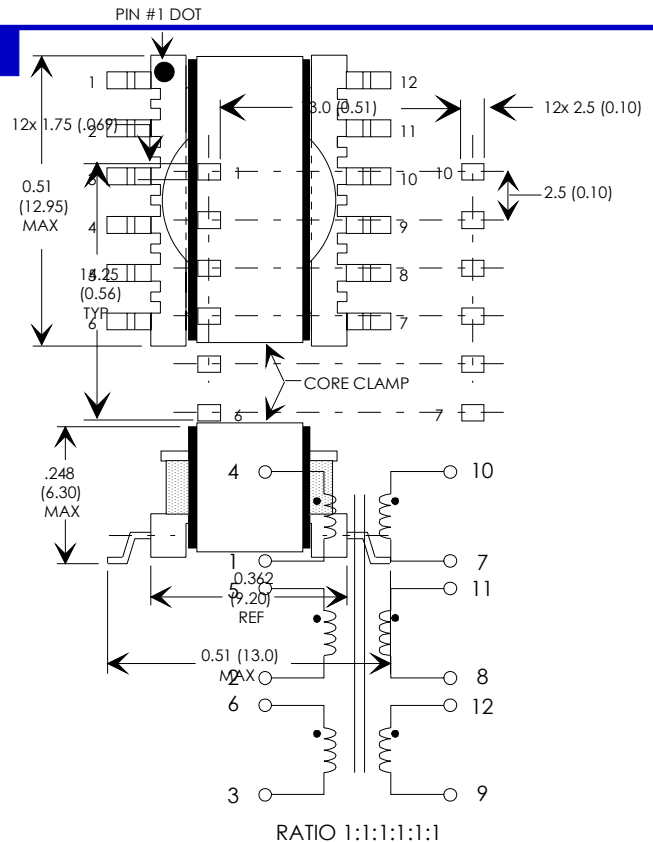
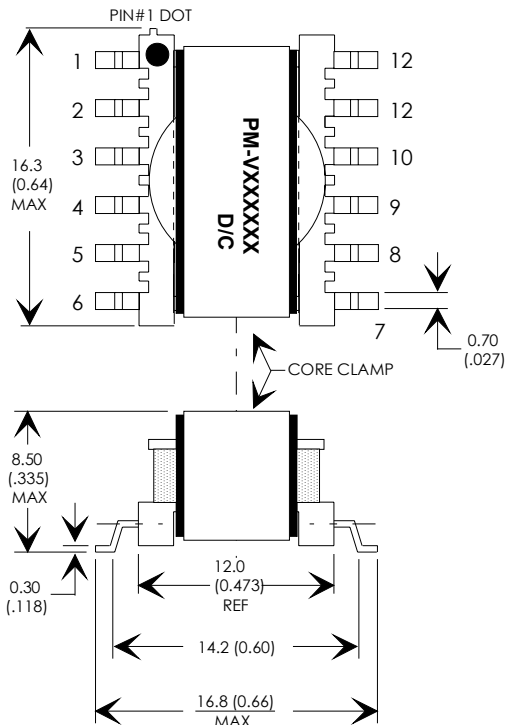
PM-V01 & PM-V02 MECHANICAL

PM-VXXXXX
D/C



RATIO 1:1:1:1:1

PM-V03 & PM-V04 MECHANICAL

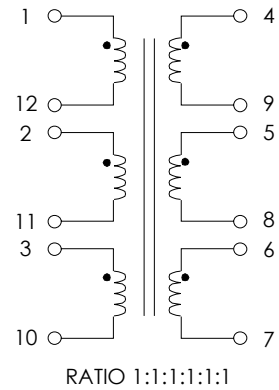
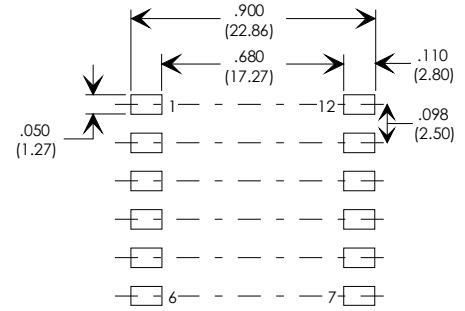
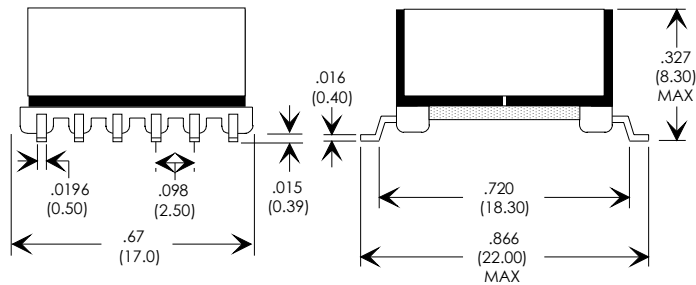
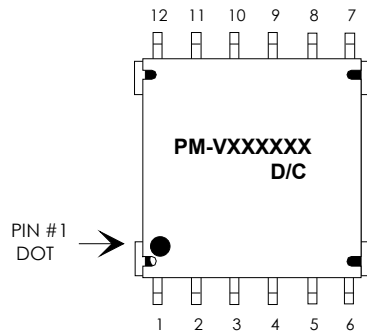


Specifications subject to change without notice.

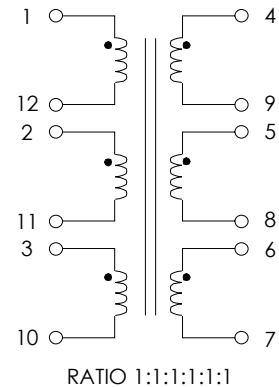
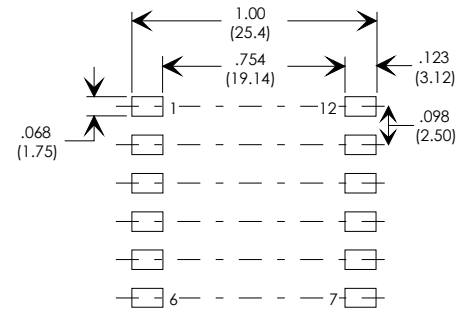
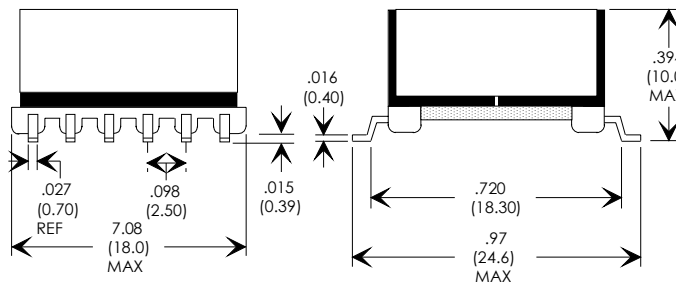
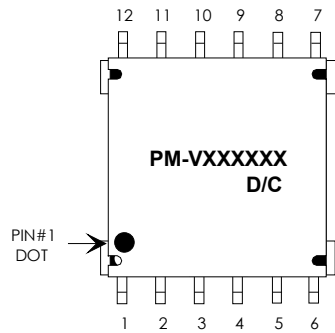
pm-vxxxx

VERSA-PAC INDUCTORS & TRANSFORMERS

PM-V05 & PM-V06 MECHANICAL



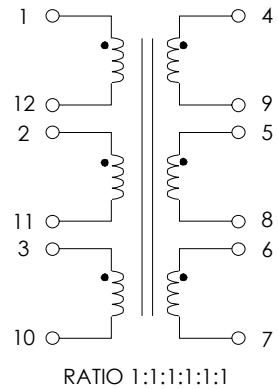
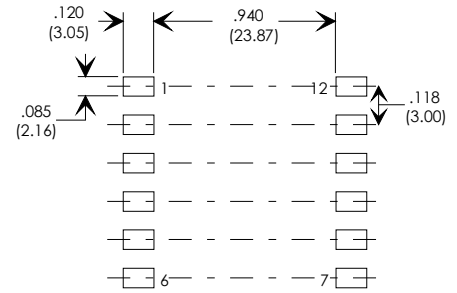
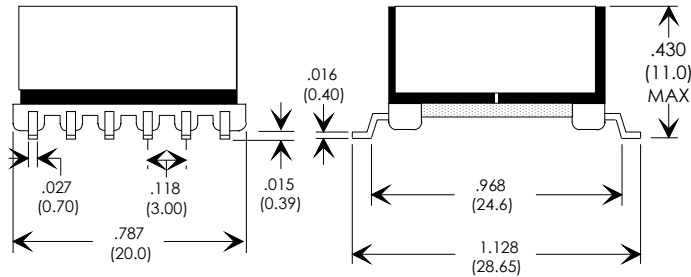
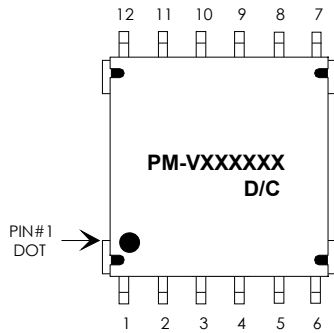
PM-V07 & PM-V08 MECHANICAL



Specifications subject to change without notice.

pm-vxxxxx

PM-V09 & PM-V10 MECHANICAL



PM-V11 MECHANICAL

