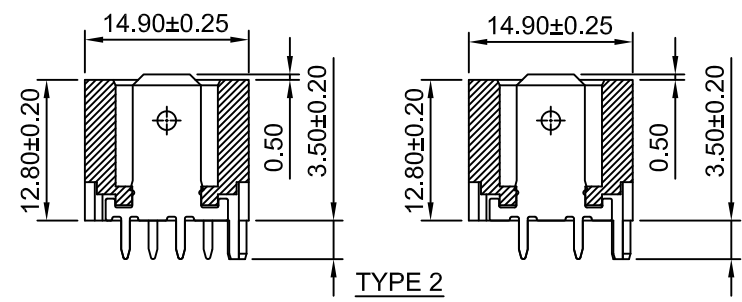
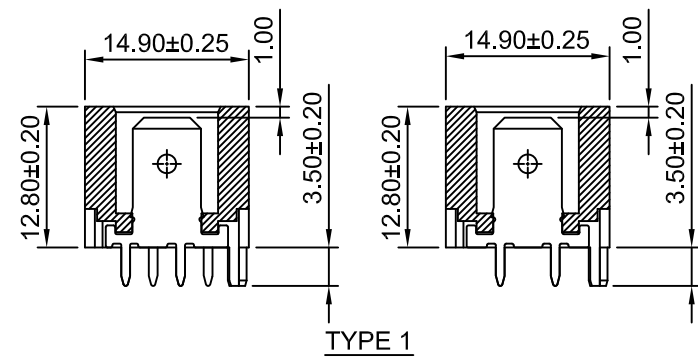
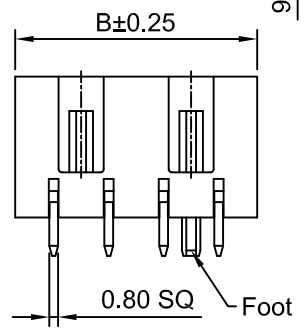
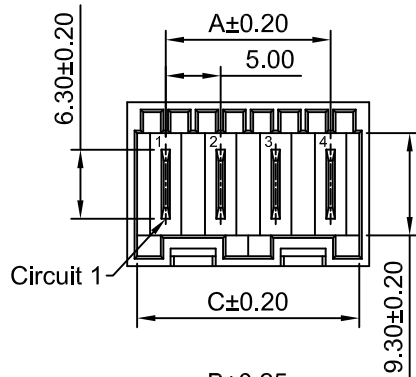


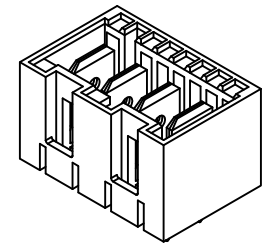
Foot Location Drawing
3P~12P



Ordering Information:

A7921WVA - XP - * - ** - ** - *** - ***
1 2 3 4 5 6 7

- Part No.
- Circuit number.
- Terminal Finish:
(blank): Tin over Nickel
S: Silver over Nickel
- See the table of next page.
- Foot.
(blank): See the Foot Location Drawing
F1~F10: See the Foot Location Drawing
- Void position:
A: Void position (Odd numbers)
N*.*: Void position (Arbitrarily numbers)
- Terminal Style:
(blank): TYPE 1
TH1~TH12: TYPE 2 (pre-mating protective contact, protruding 1.5mm, possible at any position)



NOTE:

- Material:
Insulator: Nylon 66, UL94V-0, GWT 750°C (Ivory)
Terminal: Brass (Tab is 6.30x0.80)
- Contact:
Tin Plated 80~120u" over Ni 30~50u"
Silver Plated 80~120u" over Ni 30~50u"
- Compliant IEC 60695-2-11 and IEC 60335-1 (750°C, Flamme < 2S)

SPECIFICATIONS:

Current Rating: 16A AC, DC
Voltage Rating: 380V AC, DC
Temperature Range: -40°C ~ +105°C
Contact Resistance: 20mΩ Max
Insulation Resistance: 1000MΩ Min
Withstanding Voltage: 1800V AC/minute

Ordering Information & Dimensions

Circuits	Dimensions(mm)			Circuits	Dimensions(mm)		
	A	B	C		A	B	C
2P	5.00	12.00	10.20	8P	35.00	42.00	40.20
3P	10.00	17.00	15.20	9P	40.00	47.00	45.20
4P	15.00	22.00	20.20	10P	45.00	52.00	50.20
5P	20.00	27.00	25.20	11P	50.00	57.00	55.20
6P	25.00	32.00	30.20	12P	55.00	62.00	60.20
7P	30.00	37.00	35.20				



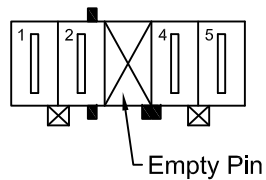
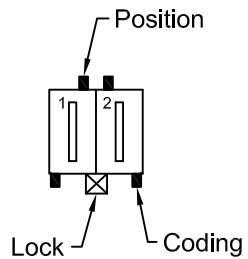
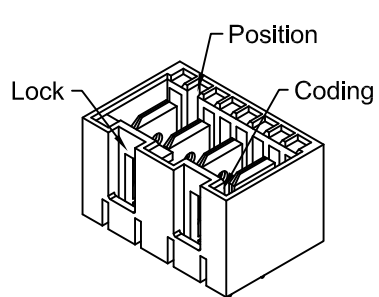
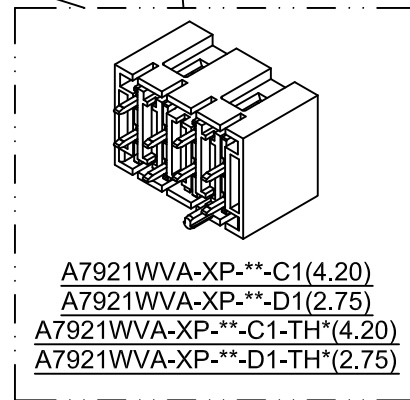
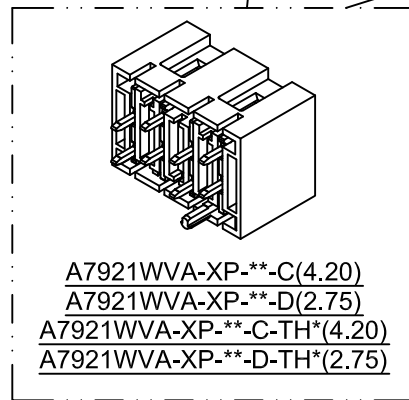
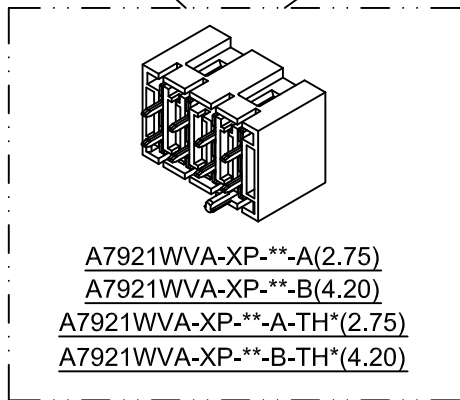
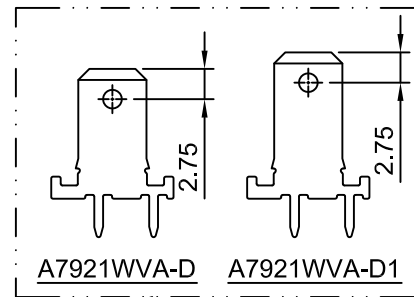
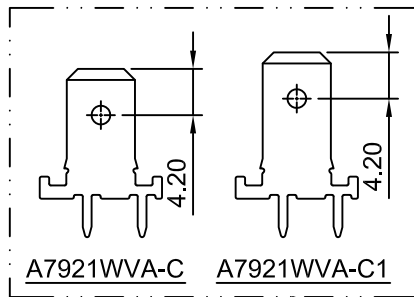
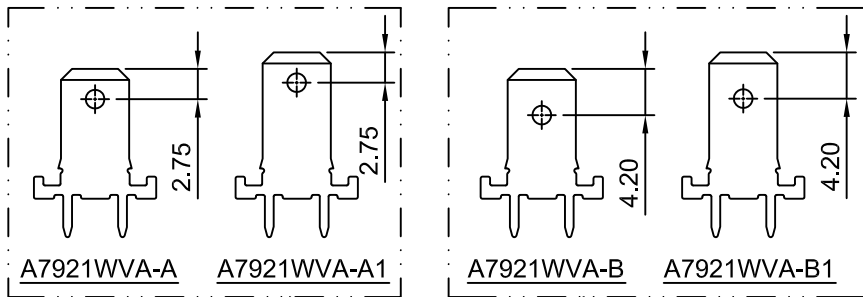
CHANGJIANG CONNECTORS CO., LTD.

Unit	Scale	Sheet
mm	1.5:1	1 / 11
Draw BY:	Approved :	
Tony Su	Jack Yin	

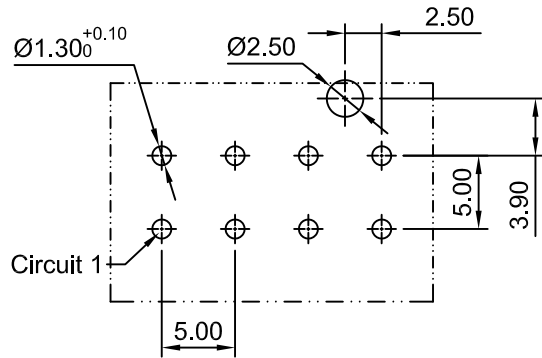
Title :
5.00mm PITCH
180° WAFER

DRAW NO : A7921WVA-XP

			x.x≤0.25	ANGLE±
A0	NEW RELEASE	2014.02.26	x.xx≤0.20	
REV	DESCRIPTION	DATE	x.xxx≤0.15	

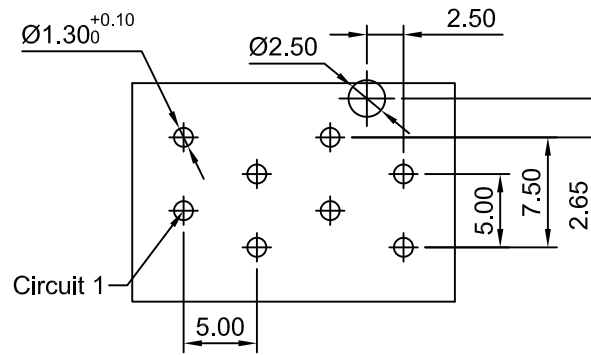


CJTconn CHANGJIANG CONNECTORS CO.,LTD.			Title : 5.00mm PITCH 180° WAFER	
Unit mm	Scale 1.5:1	Sheet 2 / 11	DRAW NO : A7921WVA	
Draw BY: Tony Su		Approved : Jack Yin		
General Tolerance			ANGLE±	
A0	NEW RELEASE	2014.02.26	x.x≤0.25 x.xx≤0.20 x.xxx≤0.15	REV A0
REV	DESCRIPTION	DATE		

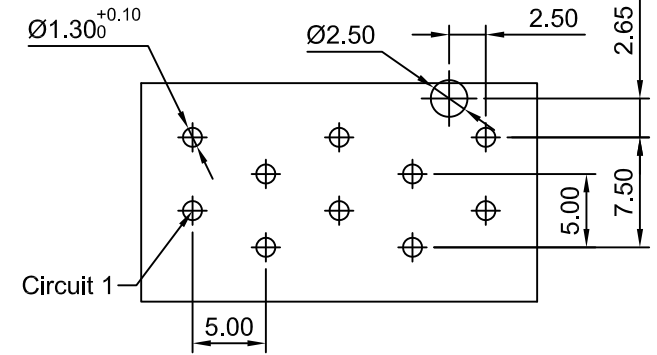


P.C.B LAYOUT-COMPONENT SIDE

- [A7921WVA-XP-**-A(2.75)]
- [A7921WVA-XP-**-B(4.20)]
- [A7921WVA-XP-**-A-TH*(2.75)]
- [A7921WVA-XP-**-B-TH*(4.20)]



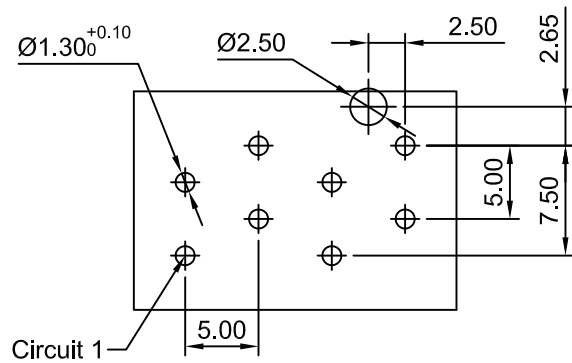
Even numbers



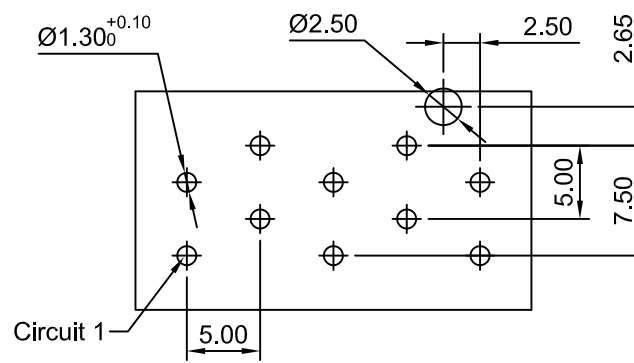
ODD numbers

P.C.B LAYOUT-COMPONENT SIDE

- [A7921WVA-XP-**-C(4.20)]
- [A7921WVA-XP-**-D(2.75)]
- [A7921WVA-XP-**-C-TH*(4.20)]
- [A7921WVA-XP-**-D-TH*(2.75)]



Even numbers



ODD numbers

P.C.B LAYOUT-COMPONENT SIDE

- [A7921WVA-XP-**-C1(4.20)]
- [A7921WVA-XP-**-D1(2.75)]
- [A7921WVA-XP-**-C1-TH*(4.20)]
- [A7921WVA-XP-**-D1-TH*(2.75)]



CHANGJIANG CONNECTORS CO.,LTD.

Unit	Scale	Sheet
mm	2:1	3 / 11
Draw BY:	Approved :	
Tony Su	Jack Yin	

Title :
5.00mm PITCH
180° WAFER

General Tolerance		
A0	NEW RELEASE	2014.02.26
REV	DESCRIPTION	DATE
x.x≤0.25	ANGLE±	
x.xx≤0.20	⊕	
x.xxx≤0.15	⊖	

DRAW NO : A7921WVA REV A0

Type	0A	0B	0C	0E	0F	0G	0H	0I	0J	0K	0L	0M	0N	0P	0Q	0R	0S	0T	0U	0X	0Z	
2 PIN																						
	09	10	11	31	34	38	40	48	49	78	80	86	1A	1B	1C	1D						

Type	0A	0B	0C	0D	0E	0F	0G	0H	0I	0K	0L	0M	0N	0Q	0W
3 PIN															
	01	02	03	04	05	08	10	11	12	13	1A	1B	1C	1D	1E
	1F	2N	2P	32	33	38	39	40	44	53	65	67	80	81	98
99															

Type	0A	0B	0C	0D	0E	0F	0G	0H	0I	0J	0K	0L	
4 PIN													
	0M	0N	0W	01	02	03	04	05					
	06	12	17	19	29	30	32	37					
43	44	61											

CJTconn

CHANGJIANG CONNECTORS CO.,LTD.

Unit	Scale	Sheet
mm	1:1	4 / 11

Title : 5.00mm PITCH

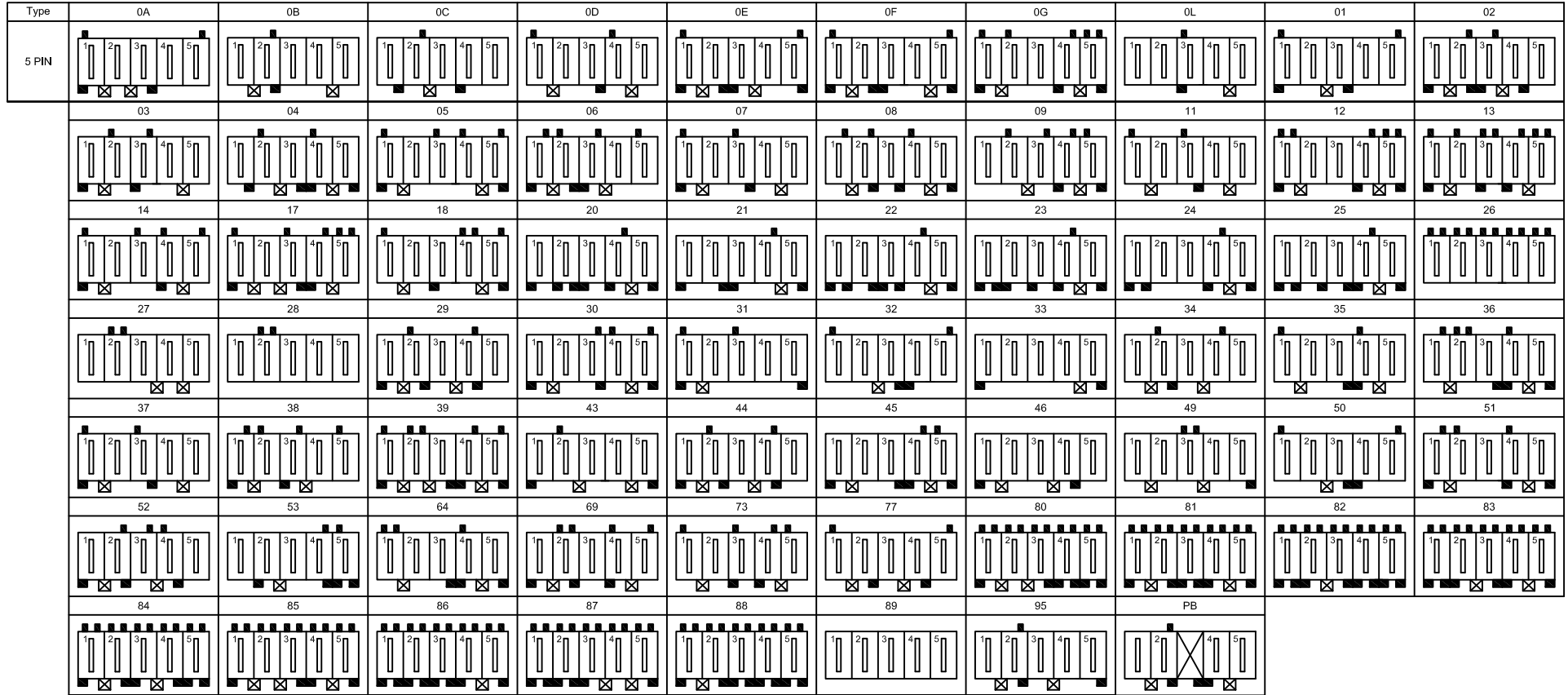
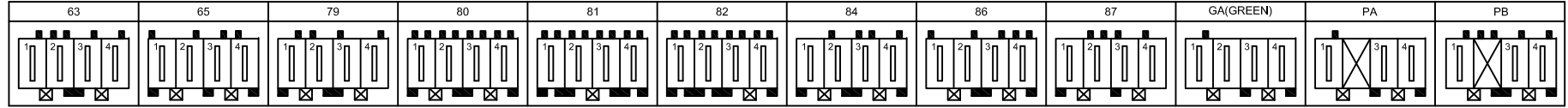
Draw BY:	Approved :
Tony Su	Jack Yin

180°/90° WAFER

General Tolerance	
x.xx±0.25	PROJECT
x.xx±0.20	
x.xxx±0.15	

DRAW NO :	A7921WVA/WVB/WRA	REV	A0
-----------	------------------	-----	----

A0	NEW RELEASE	2014.02.26
REV	DESCRIPTION	DATE



CHANGJIANG CONNECTORS CO.,LTD.

Unit	Scale	Sheet
mm	1:1	5 / 11

Title : 5.00mm PITCH

Draw BY:	Approved :
Tony Su	Jack Yin

180°/90° WAFER

General Tolerance	
x.xx±0.25	PROJECT
x.xx±0.20	
x.xxx±0.15	

A0	NEW RELEASE	2014.02.26
REV	DESCRIPTION	DATE

DRAW NO : A7921WVA/WVB/WRA	REV A0
----------------------------	--------

Type	0A	0B	0C	0D	0E	0F	01	04
6 PIN								
	06	14	15	21	29	30	35	36
	37	39	42	43	44	46	50	51
	58	59	62	66	71	73	80	81
	82	K06	K07	ZH1				

Type	0A	0B	1B	0C	0E	03	04
7 PIN							
	14	19	22	23	27	30	31
	32	34	35	38			
	40	41	42	43			
	45	48	49				

CJTconn CHANGJIANG CONNECTORS CO.,LTD.

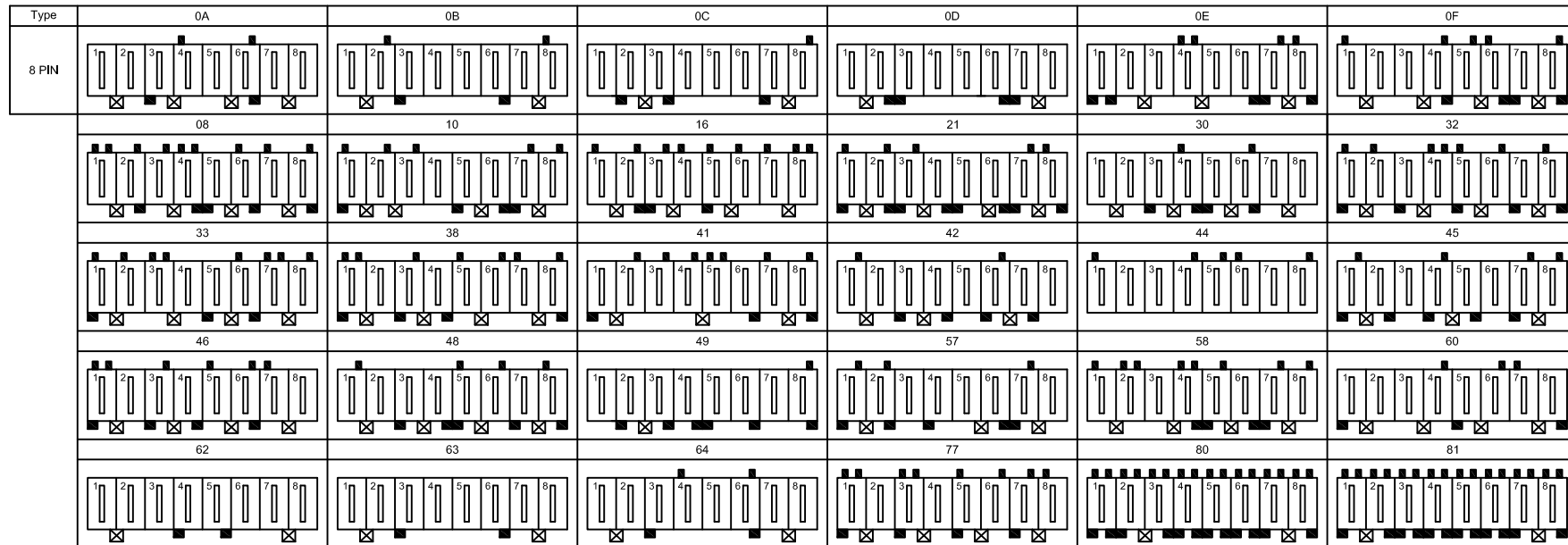
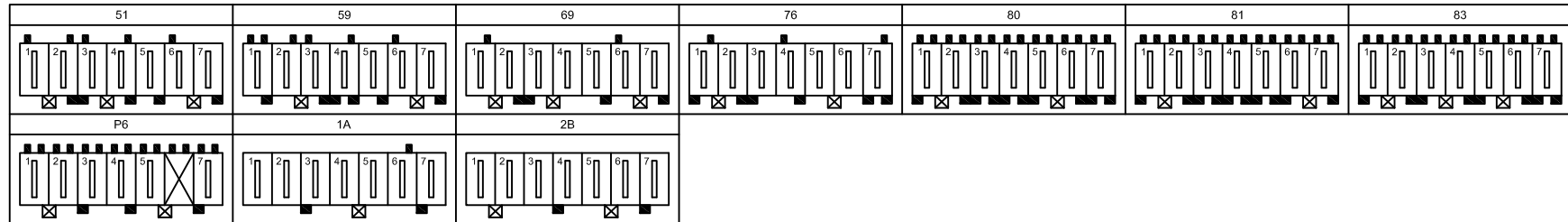
Unit	Scale	Sheet
mm	1:1	6 / 11

Draw BY:	Approved :
Tony Su	Jack Yin

General Tolerance	
x.xx±0.25	PROJECT
x.xx±0.20	
x.xxx±0.15	

Title :	
5.00mm PITCH	
180°/90° WAFER	
DRAW NO :	REV
A7921WVA/WVB/WRA	A0

A0	NEW RELEASE	2014.02.26
REV	DESCRIPTION	DATE



CJTconn CHANGJIANG CONNECTORS CO.,LTD.

Unit	Scale	Sheet
mm	1:1	7 / 11

Draw BY:	Approved :
Tony Su	Jack Yin

General Tolerance

x.xx±0.25
x.xx±0.20
x.xxx±0.15

PROJECT

Title :
5.00mm PITCH

180°/90° WAFER

A0	NEW RELEASE	2014.02.26
REV	DESCRIPTION	DATE

DRAW NO : A7921WVA/WVB/WRA

REV
A0

Type	0A	0B	0C	0D	08
9 PIN					
	30	31	32	33	35
	37	38	39	40	42
	43	48	49	52	53
57	58	59	80	81	

CJTconn			CHANGJIANG CONNECTORS CO.,LTD.	
Unit	Scale	Sheet	Title :	
mm	1:1	8 / 11		
Draw BY:		Approved :		
Tony Su		Jack Yin		
General Tolerance				
			PROJECT	
x.xx±0.25				
x.xx±0.20			DRAW NO : A7921WVA/WVB/WRA	
x.xxx±0.15				
A0	NEW RELEASE	2014.02.26	REV A0	
REV	DESCRIPTION	DATE		

5.00mm PITCH
180°/90° WAFER

Type	0A	01	02	30	33
10 PIN					
	35	36	38	41	42
	43	44	45	46	48
	49	50	51	52	53
	54	56	64	70	71
	72	74	75	76	78
80	ZH1	ZH2			

CJTconn CHANGJIANG CONNECTORS CO.,LTD.

Unit	Scale	Sheet
mm	1:1	9 / 11

Title :
5.00mm PITCH
180°/90° WAFER

Draw BY:	Approved :
Tony Su	Jack Yin

General Tolerance

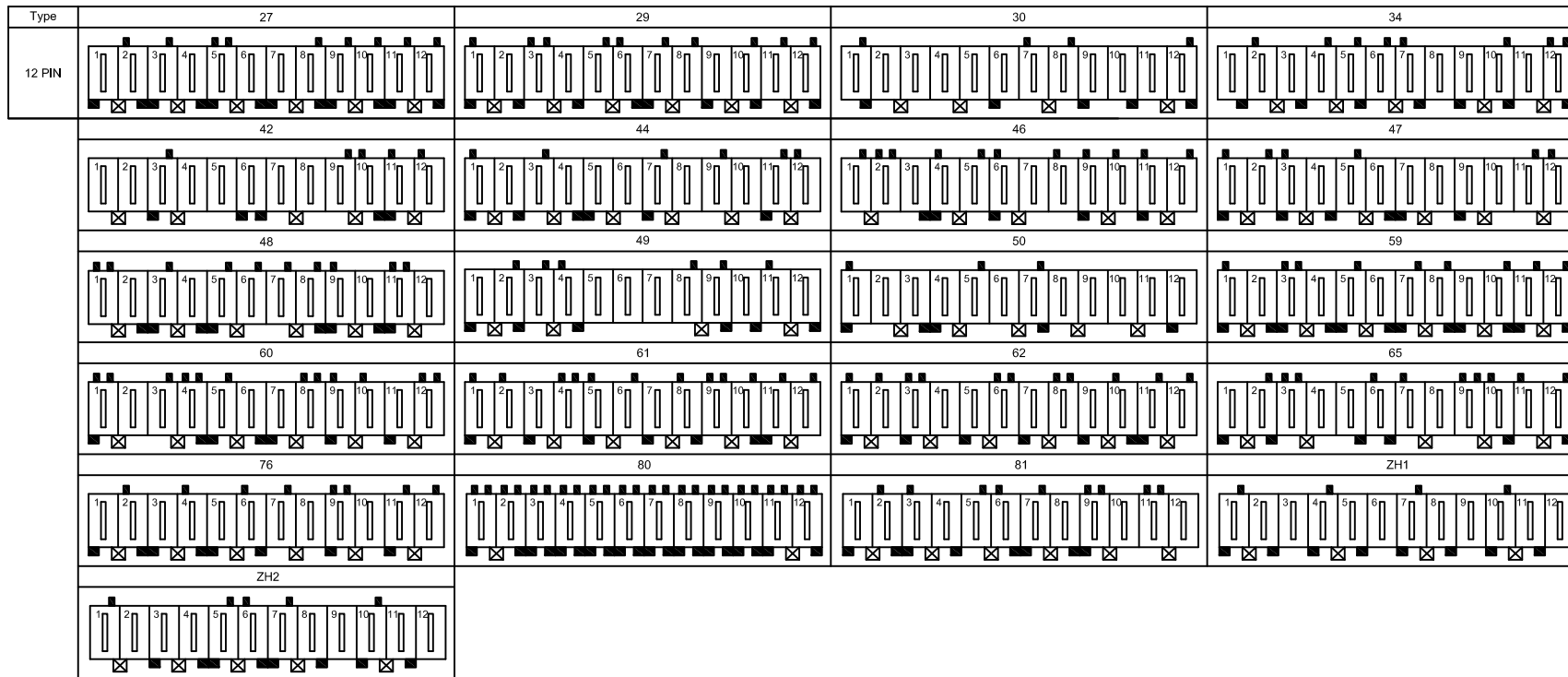
x.x±0.25	PROJECT
x.xx±0.20	
x.xxx±0.15	

A0	NEW RELEASE	2014.02.26
REV	DESCRIPTION	DATE

DRAW NO : A7921WVA/WVB/WRA	REV A0
----------------------------	--------

Type	0A	0B	0C	01
11 PIN				
	12	13	28	30
	31	32	33	34
	35	36	37	38
	39	40	42	43
44	45	46	47	
55	60	64	80	

			CHANGJIANG CONNECTORS CO.,LTD.	
			Unit	Scale
mm	1:1	10 / 11	5.00mm PITCH	
Draw BY:		Approved :		180°/90° WAFER
Tony Su		Jack Yin		
General Tolerance				PROJECT
x.xx±0.25				
x.xx±0.20				DRAW NO : A7921WVA/WVB/WRA
x.xxx±0.15				
A0	NEW RELEASE	2014.02.26		REV
REV	DESCRIPTION	DATE		A0



CJTconn CHANGJIANG CONNECTORS CO.,LTD.

Unit	Scale	Sheet
mm	1:1	11 / 11

Title :
5.00mm PITCH
180°/90° WAFER

Draw BY:	Approved :
Tony Su	Jack Yin

General Tolerance

x.xx±0.25	PROJECT
x.xx±0.20	
x.xxx±0.15	

A0	NEW RELEASE	2014.02.26
REV	DESCRIPTION	DATE

DRAW NO : A7921WVA/WVB/WRA	REV A0
----------------------------	--------