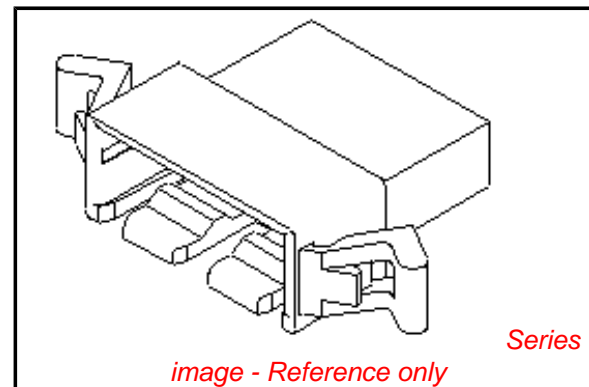


**PLEASE CHECK WWW.MOLEX.COM FOR LATEST PART INFORMATION**

**Part Number:** [0029110062](#)  
**Status:** **Active**  
**Overview:** [spox](#)  
**Description:** 2.50mm (.098") Pitch SPOX™ Wire-to-Wire Plug Housing, Friction Lock, Optional Mounting Ears, 6 Circuits

**Documents:**

<a href="#">3D Model</a>	<a href="#">Product Specification PS-51191-003 (PDF)</a>
<a href="#">Drawing (PDF)</a>	<a href="#">RoHS Certificate of Compliance (PDF)</a>
<a href="#">Product Specification PS-5102-003 (PDF)</a>	



*image - Reference only*

**Agency Certification**

CSA	LR19980
TUV	R72090224
UL	E29179

**General**

Product Family	Crimp Housings
Series	<a href="#">5240</a>
Overview	<a href="#">spox</a>
Product Name	SPOX™

**Physical**

Circuits (maximum)	6
Flammability	94V-0
Gender	Male
Glow-Wire Compliant	No
Lock to Mating Part	Yes
Number of Rows	1
Packaging Type	Bag
Panel Mount	No, Yes
Pitch - Mating Interface (in)	0.098 In
Pitch - Mating Interface (mm)	2.50 mm
Stackable	No
Temperature Range - Operating	-40°C to +105°C

**Material Info**

Old Part Number	5240-06
-----------------	---------

**Reference - Drawing Numbers**

Packaging Specification	SPK-5240-001
Product Specification	PS-5102-003, PS-51191-003
Sales Drawing	SD-5240-001

**EU RoHS**

**ELV and RoHS Compliant**  
**REACH SVHC**  
 Not Reviewed  
**Halogen-Free Status**  
 Not Reviewed

**China RoHS**



**Need more information on product environmental compliance?**

Email [productcompliance@molex.com](mailto:productcompliance@molex.com)  
 For a multiple part number RoHS Certificate of Compliance, [click here](#)

Please visit the [Contact Us](#) section for any non-product compliance questions.

**Search Parts in this Series**

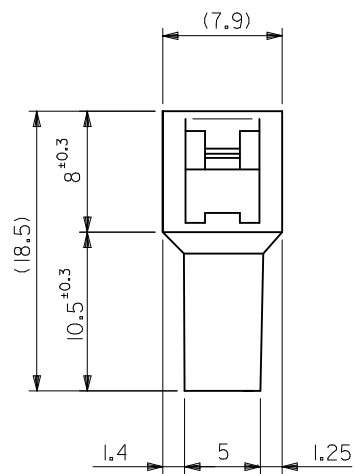
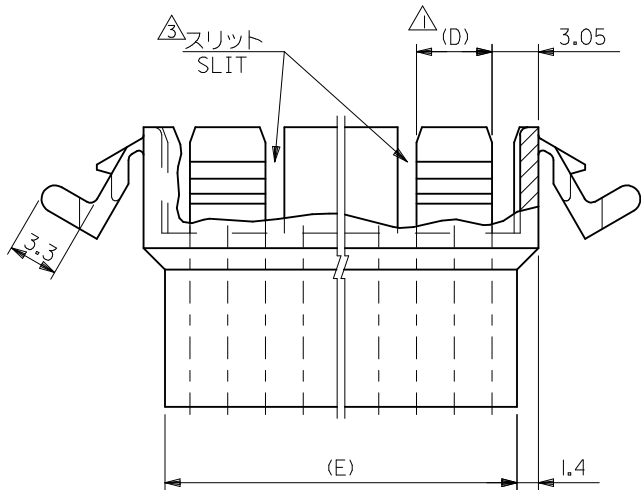
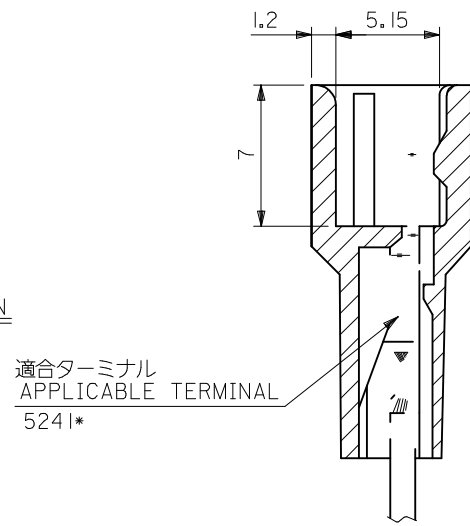
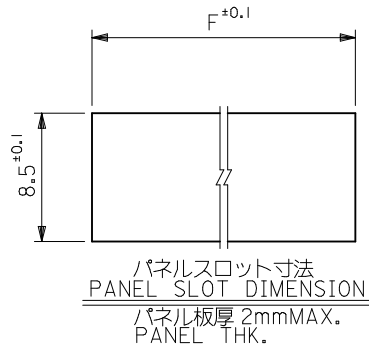
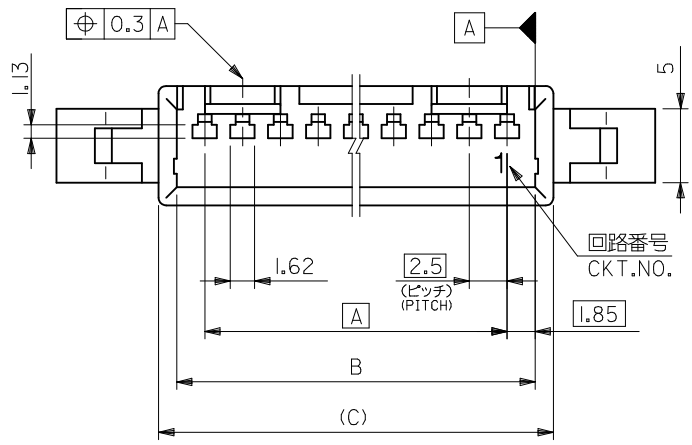
[5240Series](#)

**Mates With**

[51191 Housing](#)

**Use With**

[5241](#)



44.9	38.3	5	41.1	38.7	35	29-11-0152	5240-15	15
37.4	30.8	5	33.6	31.2	27.5	-0122	-12	12
34.9	28.3	5	31.1	28.7	25	-0112	-11	11
32.4	25.8	5	28.6	26.2	22.5	-0102	-10	10
29.9	23.3	5	26.1	23.7	20	-0092	-09	9
27.4	20.8	5	23.6	21.2	17.5	-0082	-08	8
24.9	18.3	5	21.1	18.7	15	-0072	-07	7
22.4	15.8	5	18.6	16.2	12.5	-0062	-06	6
19.9	13.3	3.75	16.1	13.7	10	-0052	-05	5
17.4	10.8	7.5	13.6	11.2	7.5	-0042	-04	4
14.9	8.3	5	11.1	8.7	5	-0032	-03	3
12.4	5.8	2.5	8.6	6.2	2.5	29-11-0022	5240-02	2
F	(E)	(D)	(C)	B	A	EDP. NO.	MATERIAL NO.	極数 NO. OF CKT.

注記 NOTE

- △ 4極までは1箇所、5極以上は2箇所。  
FRICTION LOCK CONFIGURATION:  
4CKT. AND UNDER — 1 LOCK  
5CKT. AND OVER — 2 LOCKS
- 2. 嵌合相手: 5102-N  
MATE WITH HOUSING: 5102-N
- △ 4極以下はなし、5及び6極は1箇所、7極以上は2箇所。  
SLIT CONFIGURATION:  
4CKT AND UNDER — NO SLIT  
5 AND 6CKTS — 1 SLIT  
7CKT AND OVER — 2 SLIT

材料  
MATERIAL  
NYLON66,UL94V-0

REVISED EC NO: J2009-0885 DRWN:NAKAMURA 2008/12/15 CHKD:T. HARUYAMA 2008/12/15 APPR:NUKITA 2009/01/14	GENERAL TOLERANCES (UNLESS SPECIFIED)	DIMENSION STYLE MM ONLY	SCALE ---	DESIGN UNITS METRIC	MODEL NO. 5240-N
	10 UNDER ±0.2	DRAWN BY Y. KANNO	DATE '98/7/23	TITLE MINI SPOX. PLUG HSG.	THIRD ANGLE PROJECTION
	10 OVER 30 UNDER ±0.25	CHECKED BY K. T.	DATE '98/7/24	MATERIAL NO.	SHEET NO. 1 OF 1
	30 OVER ±0.30	APPROVED BY M. FUKUSHIMA	DATE '98/7/24	DOCUMENT NO. SD-5240-001	
ANGULAR ±3 °	DRAFT WHERE APPLICABLE MUST REMAIN WITHIN DIMENSIONS				
SIZE A3 THIS DRAWING CONTAINS INFORMATION THAT IS PROPRIETARY TO MOLEX INCORPORATED AND SHOULD NOT BE USED WITHOUT WRITTEN PERMISSION					