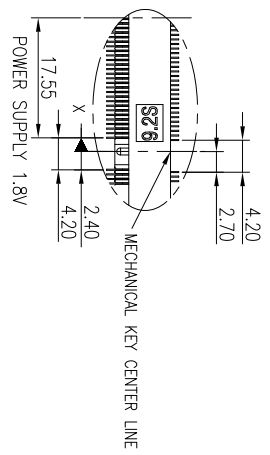
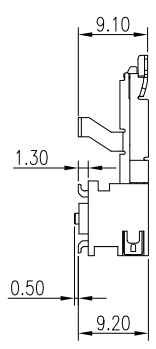
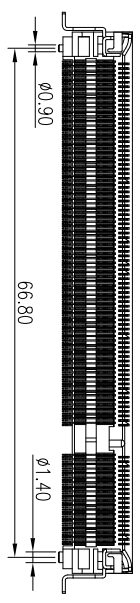
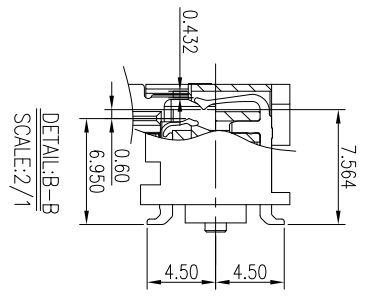
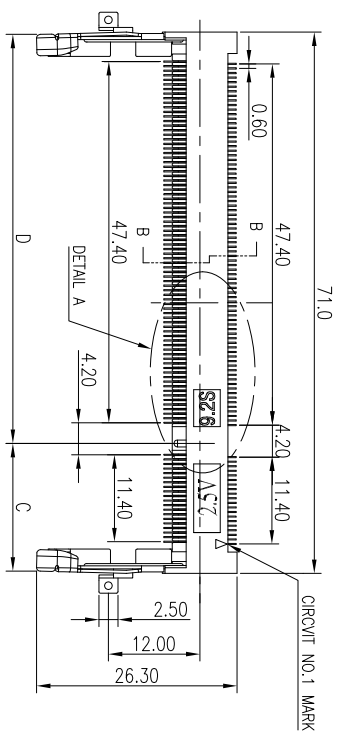


Rev	AWO #	Description	Date	Appr
-		RELEASED	9/30/09	

APPROVED: _____
 DATE: _____ TITLE: _____



ADAM P/N	C	D
SOD-200-S-6-9.2	1.8V	52.77

SPECIFICATIONS:

Material: LCP, glass reinforced, rated UL 94V-0
 Contacts: Brass, Gold plated.
 Latch: Stainless, Tin plated.
 Electrical:

Operating voltage: 25 VAC max
 Current rating: 0.3 Amps max
 Contact resistance: Initial 20 mohms Max.
 Dielectric withstanding voltage: 250 VAC for 1 minute
 Temperature Rating:
 Operating temperature: -40°C to +85°C
 Environmental:

Lead free, RoHS compliant.
 Recommended soldering temp: 260°C for 5 sec



UNLESS OTHERWISE SPECIFIED
 ALL DIMENSIONS ARE MM
 TOLERANCES: EXCEPT AS NOTED

DIMENSIONS	ANGLES
.X ± .38	± 3°
.XX ± .25	
.XXX ± .20	

APPROVALS	DATE
DRAWN DY	9/30/09
CHECKED	
APPROVED	

ADAM TECH

909 Railway Avenue, Union, NJ 07083
 Phone: 908-687-5000 Fax: 908-687-5710

TITLE: SO DIMM, 200 PIN DDR2 SOCKET, SMT
 1.8V KEY, 9.2MM HEIGHT

SIZE	PART NO.	SCALE	SHEET	REV.
X	SOD-200-S-6-9.2	NTS	1 OF 2	