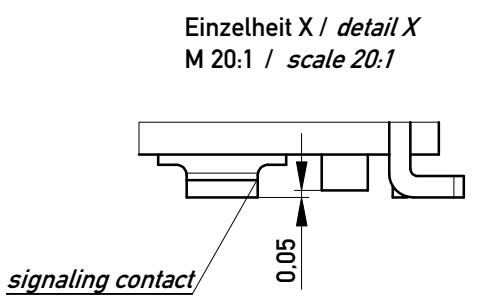
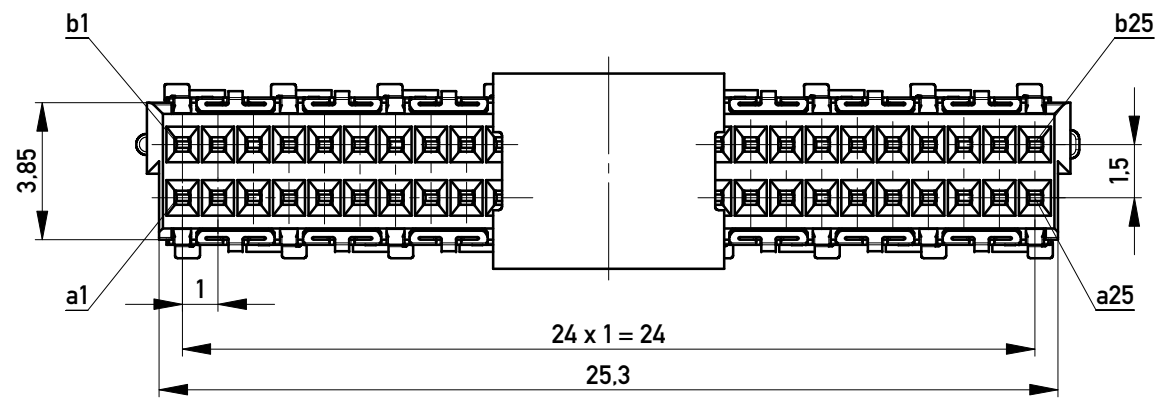
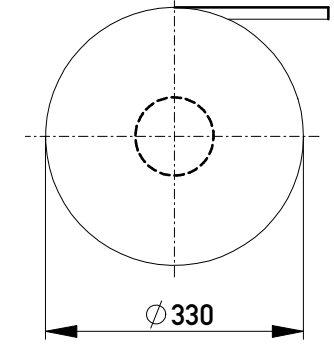
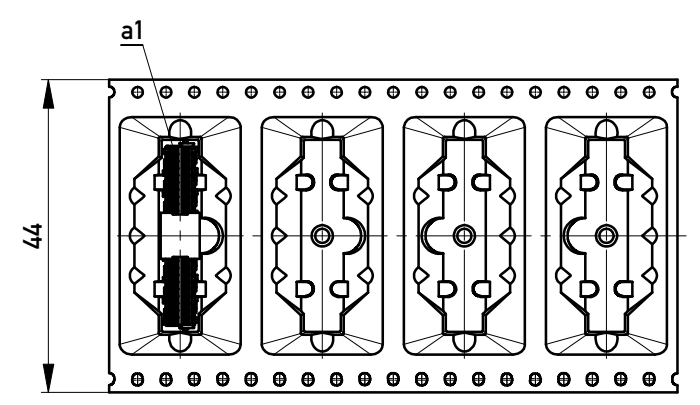


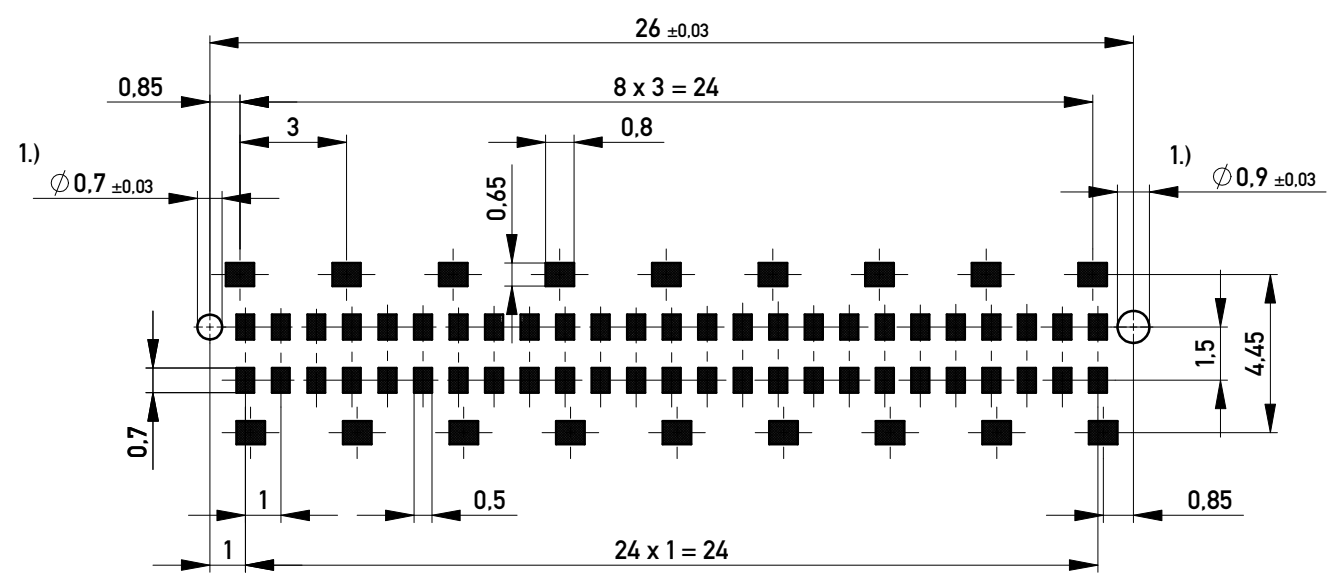
Verpackt im Gurt in Anlehnung an DIN IEC 60286-3  
 tape on reel packaging according to DIN IEC 60286-3  
 Verpackungseinheit: 240 Stück  
 packaging unit: 240 pcs



Abspulrichtung - Reel off Direction



Leiterplatten-Layout Vorschlag / PCB-layout proposal



1.) Durchmesser des Bohrers / Drill tool

Anforderungsstufe 1  
 Performance Level 1

Kontaktbereich vergoldet  
 Mating Area gold plating

Anschlussbereich verzinkt 4-6 µm  
 Terminal Area 4-6 µm tin plating

Koplanarität der Anschlüsse ≤ 0,1 mm  
 Coplanarity Area of Termination ≤ 0,1 mm

Information:	Tolerances	Scale 5:1	Designation <b>Federleiste 8mm SMD, 50 polig</b> <b>Female 8mm SMD, 50 contacts</b>
	All rights reserved. Only for Information. To ensure that this is the latest version of this drawing, please contact one of the ERNI companies before using.		
g	20.10.2017	Class	MSPEED
Index	Date		A3

Copyright by ERNI GmbH  
 Proprietary notice pursuant to ISO 16016 to be observed.