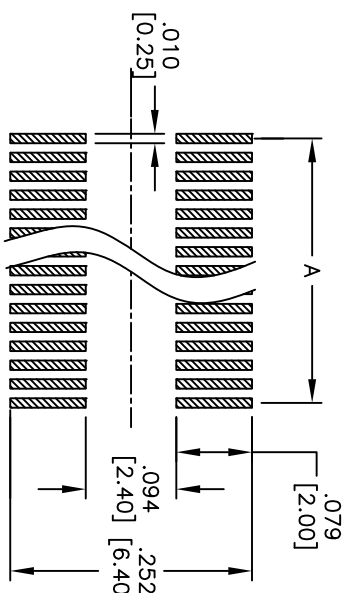
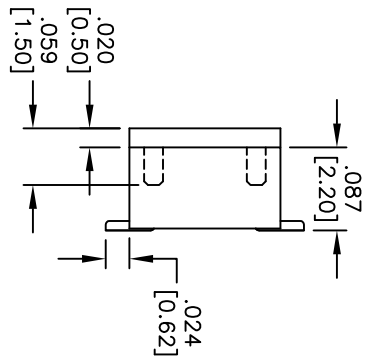
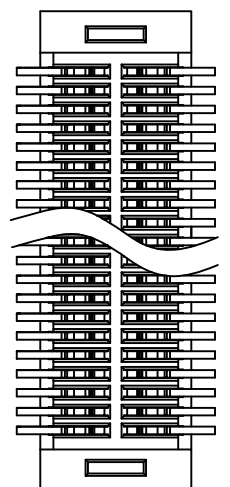
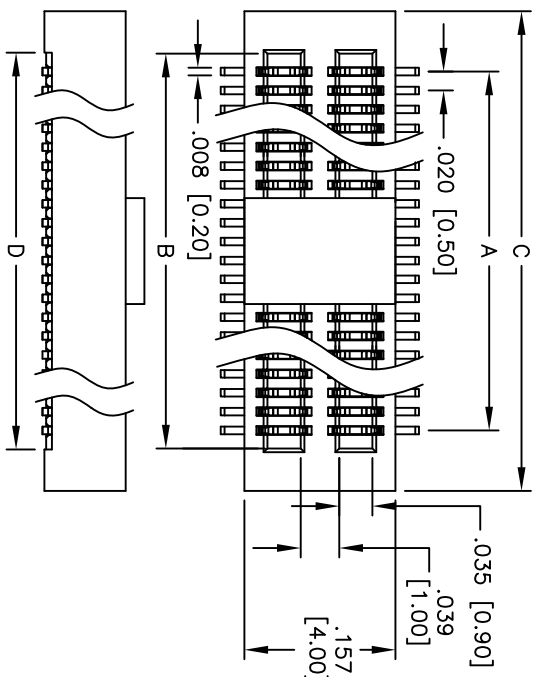


Rev	AWO #	Description	Date	Appr
-		RELEASED	11/10/09	

APPROVED: \_\_\_\_\_  
 DATE: \_\_\_\_\_ TITLE: \_\_\_\_\_



RECOMMENDED PCB LAYOUT

Positions: 10, 12, 14, 16, 18, 20, 22, 24, 26, 28, 30, 32, 34, 36, 38, 40, 42, 44, 46, 48, 50, 60, 70, 80, 90, 100, 100, 100, 120

A = .020 [0.50] x (No. of Contacts - 1) + .038 [0.96]  
 B = .020 [0.50] x (No. of Contacts - 1) + .126 [3.20]  
 C = .020 [0.50] x (No. of Contacts - 1) + .039 [1.00]  
 D = .020 [0.50] x (No. of Contacts - 1) + .039 [1.00]

**SPECIFICATIONS:**  
 Material: Nylon 46, rated UL 94V-0  
 Insulator color: White  
 Contacts: Phosphor Bronze  
 Plating: Gold flash over Nickel underplate overall  
 Electrical:  
 Operating voltage: 50 VAC max.  
 Current rating: 0.5 Amps max.  
 Contact resistance: 30 mohms max. initial  
 Insulation resistance: 100 Mohms min@ 100V DC  
 Dielectric withstanding voltage: 100 VAC for 1 minute  
 Temperature Rating:  
 Operating temperature: -20°C to +105°C  
 Environmental:  
 Lead free, RoHS compliant  
 Recommended soldering temp: 260°C for 5 seconds



**ADAM TECH**  
 909 Railway Avenue, Union, NJ 07083  
 Phone: 908-687-5000 Fax: 908-687-5710

UNLESS OTHERWISE SPECIFIED ALL DIMENSIONS ARE IN INCHES [MM]		TOLERANCES: EXCEPT AS NOTED	
.X	± .10	ØXX	± .10
.XX	± .020	ØXXX	± .015
.XXX	± .015	ØXXX	± .010
APPROVALS		DATE	
DRAWN	DY	11/10/09	
CHECKED			
APPROVED			
TITLE		SIZE	
.020 [0.50] BOARD TO BOARD SOCKET		X	
2.2 MM HEIGHT, SMT TYPE, NO PEG		PART NO.	
		BB5-SD-XX-G-NP	
REF: S00056T		SCALE: NTS	
		SHEET 1 OF 1	