

PLEASE CHECK WWW.MOLEX.COM FOR LATEST PART INFORMATION

Part Number: [94550-4104](#)
Status: **Active**
Overview: RAST 5 Connector System
Description: 5.00mm Pitch, Rast 5, PA Polyamide (Nylon) 6/6, UL 94V-2, 2 Circuits, Natural, Glow Wire Compatible

Documents:

[3D Model](#) [Test Summary TS-94550-001 \(PDF\)](#)
[Drawing \(PDF\)](#) [RoHS Certificate of Compliance \(PDF\)](#)
[Product Specification PS-94550-001 \(PDF\)](#)

General

| | |
|-------------------------------|---|
| Product Family | Crimp Housings |
| Series | 94550 |
| Application | Power, Wire-to-Board |
| Application Tooling Part Link | 62201-7500 |
| Comments | This Molex product is manufactured from material that has the following ratings, tested by independent agencies :. a) A Glow Wire Ignition Temperature (GWIT) of at least 775 deg C per IEC 60695-2-13.. b) A Glow Wire Flammability Index (GWFI) above 850 deg C per IEC 60695-2-12.and hence complies with the requirements set out in the International Standard IEC 60335-1 5th edition - household and similar electrical appliances - safety; section 30 Resistance to heat and fire.<P><P>The customers using this product must determine its suitability for use in their particular application through testing or other acceptable means as described in end-product glow-wire flammability test standard IEC 60695-2-11 and any applicable product end-use standard(s).<P>If it is determined during the customer's evaluation of suitability, that higher performance is required, please contact Molex for possible product options. |
| Overview | RAST 5 Connector System |
| Product Name | RAST 5 |
| UPC | 883906054885 |

Physical

| | |
|-------------------------------|----------------|
| Circuits (maximum) | 4 |
| Color - Resin | Natural |
| Gender | Female |
| Glow-Wire Compliant | Yes |
| Lock to Mating Part | Yes |
| Material - Resin | Nylon |
| Net Weight | 3.460/g |
| Number of Rows | 1 |
| Packaging Type | Bag |
| Panel Mount | No |
| Pitch - Mating Interface | 5.00mm |
| Pitch - Termination Interface | 5.00mm |
| Polarized to Mating Part | Yes |
| Ports | 1 |
| Stackable | No |
| Temperature Range - Operating | -40°C to +85°C |

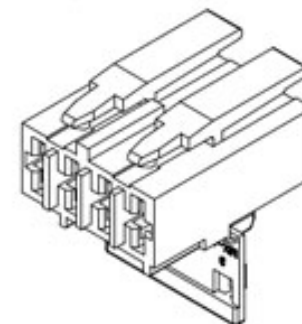


image - Reference only

Series

EU RoHS

ELV and RoHS Compliant

REACH SVHC

Not Reviewed

Low-Halogen Status

Not Low-Halogen

China RoHS



Need more information on product environmental compliance?

Email productcompliance@molex.com
 For a multiple part number RoHS Certificate of Compliance, [click here](#)

Please visit the [Contact Us](#) section for any non-product compliance questions.

Search Parts in this Series

[94550Series](#)

Mates With

[Rast 5 Headers](#), [90858 Vertical Header](#), [90879 Right Angle Header](#)

Use With

[94518 Crimp Terminal](#), [94549 Crimp Terminal](#)

Application Tooling | FAQ

Tooling specifications and manuals are found by selecting the products below. Crimp Height Specifications are then contained in the Application Tooling Specification document.

Global

| | |
|---------------------|----------------------------|
| Description | Product # |
| Manual Arbor Press, | 0622017500 |
| RAST 5.0 | |

Material Info

Reference - Drawing Numbers

Product Specification
Sales Drawing
Test Summary

PS-94550-001
SD-94550-008
TS-94550-001

This document was generated on 04/03/2014

PLEASE CHECK WWW.MOLEX.COM FOR LATEST PART INFORMATION